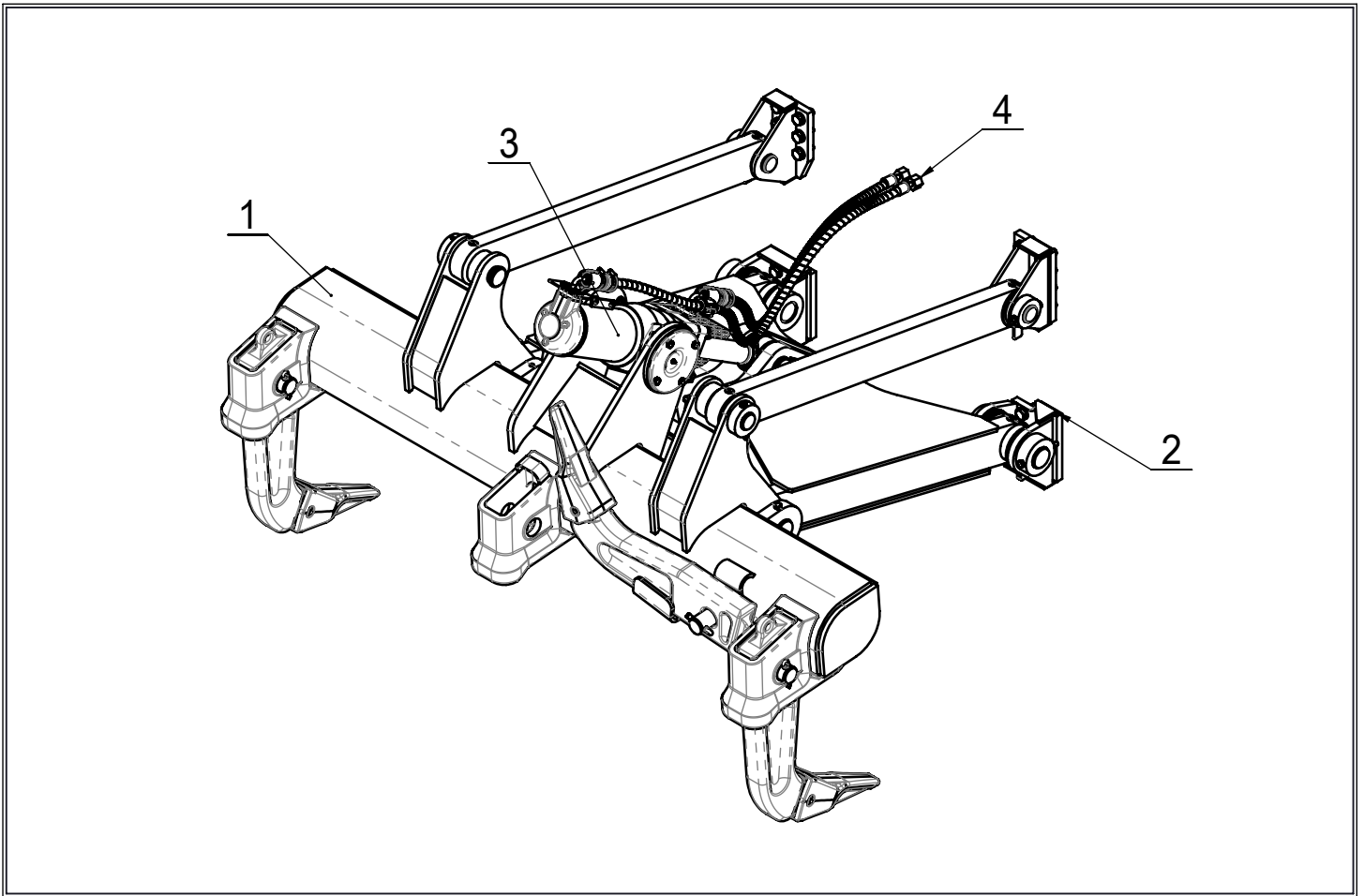


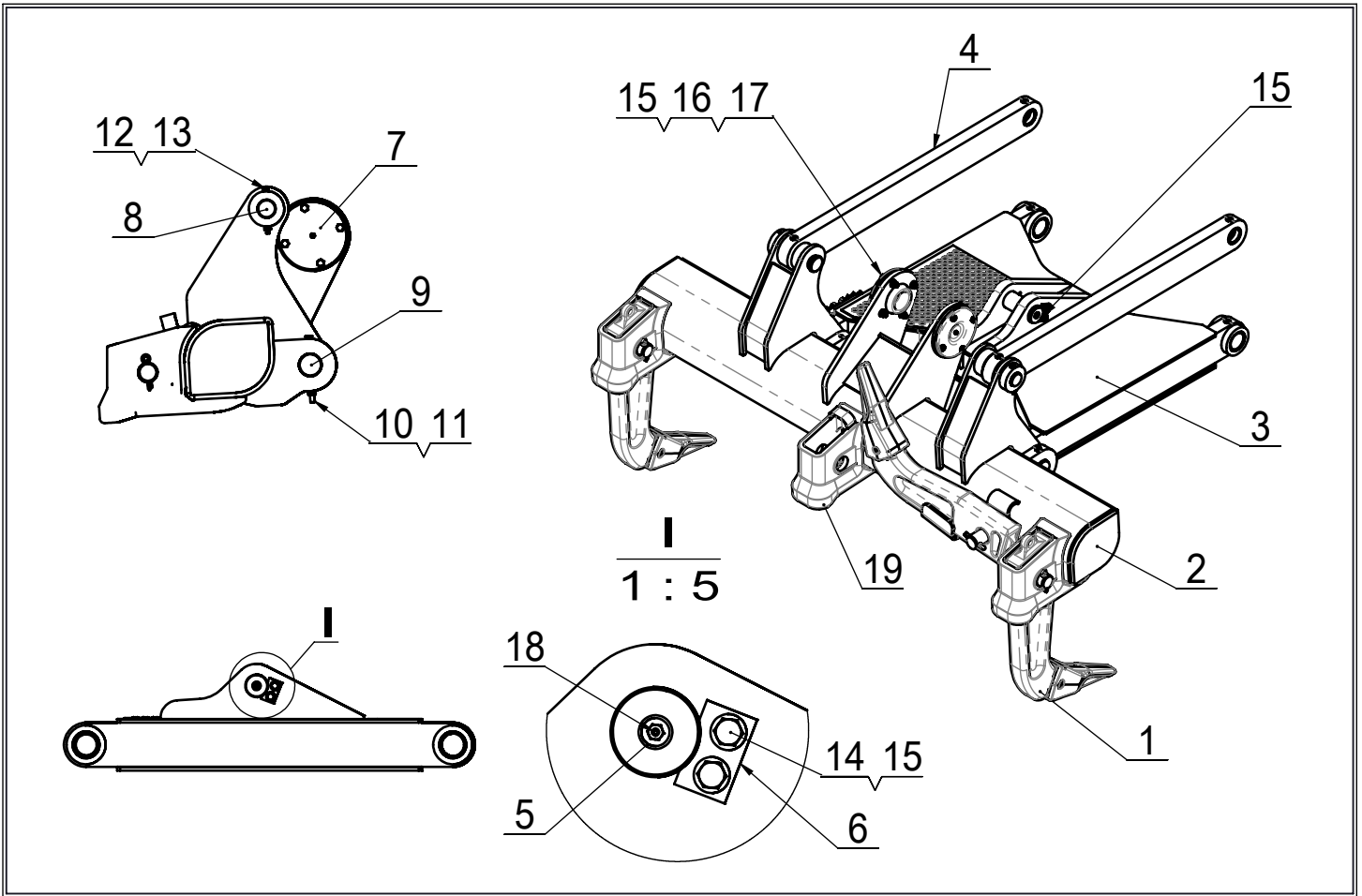
359-3344B RIPPER AS



ENTIRE GROUP

REF	PART#	QTY.	DESC
1	359-3345B	1	RIPPER GP -A
2	359-3346B	1	MTG GP-RIPPER
3	227-0842B	1	CYLINDER GP-RIPPER
4	180-4561B	1	LINES GP-RIPPER

359-3345B RIPPER GP -A

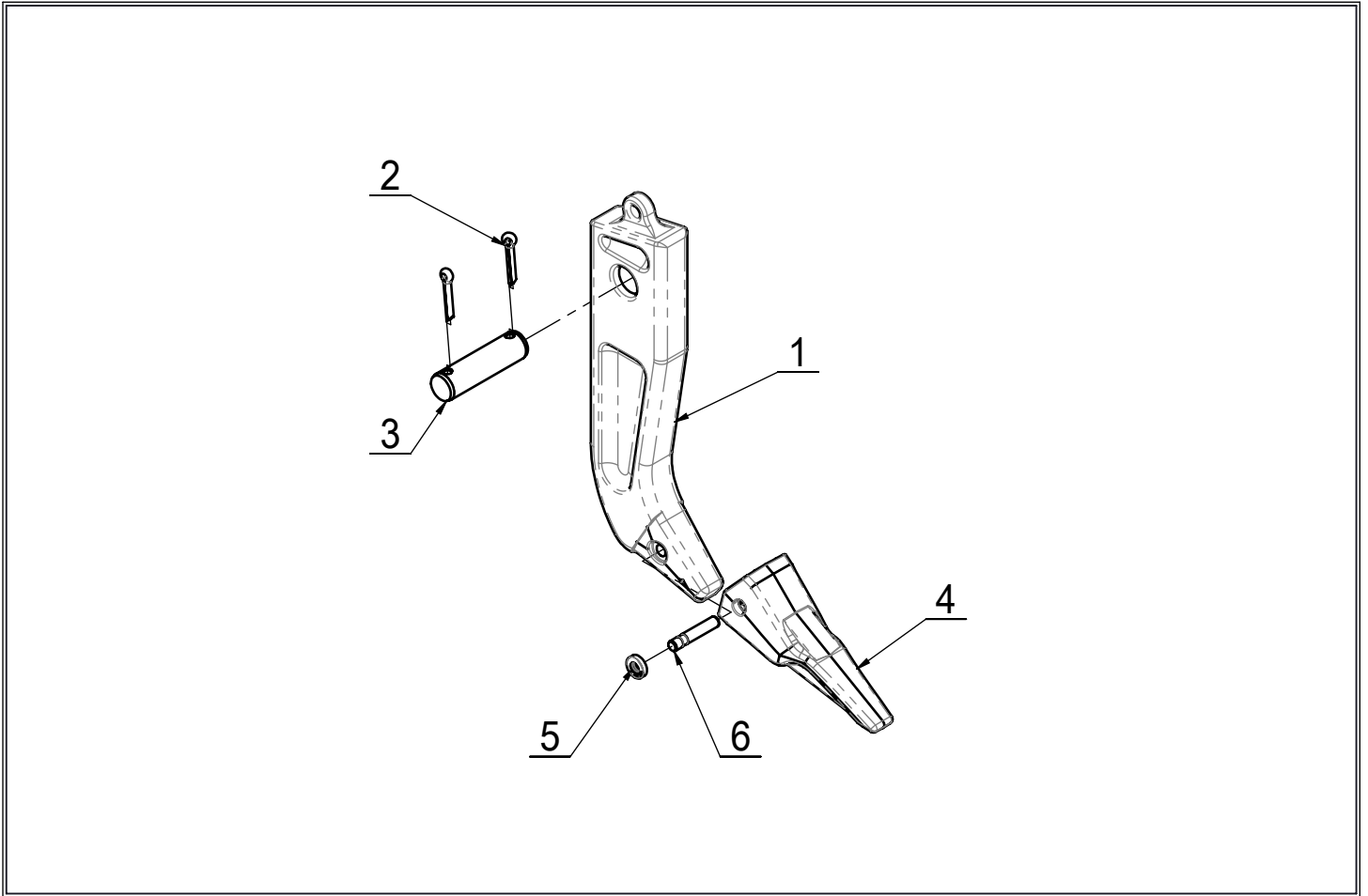


ENTIRE GROUP

REF	PART#	QTY.	DESC
1	8J-2189B	3	TOOTH GROUP-RIPPER(B)
2	322-3353B	1	CARRIAGE AS
3	322-3354B	1	LINK AS.
4	3A-8612B	2	LINK AS.
5	3K-8510B	1	PIN
6	2K-0703B	1	BAR
7	4K-3004B	2	BEARING-TRUNNION
8	9J-9598B	2	PIN
9	1U-0159B	2	PIN

REF	PART#	QTY.	DESC
10	8T-7929B	2	M12×1.75 BOLT
11	6V-7687B	2	M12×1.75 LOCKNUT
12	6V-7744B	2	M10×1.5 LOCKNUT
13	7X-2543B	1	M10×1.5 BOLT
14	8T-4139B	2	M12×1.75 BOLT
15	8T-4223B	10	WASHER-HARD
16	8T-4244B	8	M12×1.75 LOCKNUT
17	8T-4648B	8	M12×1.75 BOLT
18	3B-8489B	3	1/8 27 DRYSEAL TO PTF
19	5K-7748B	3	HOLDER-TOOTH

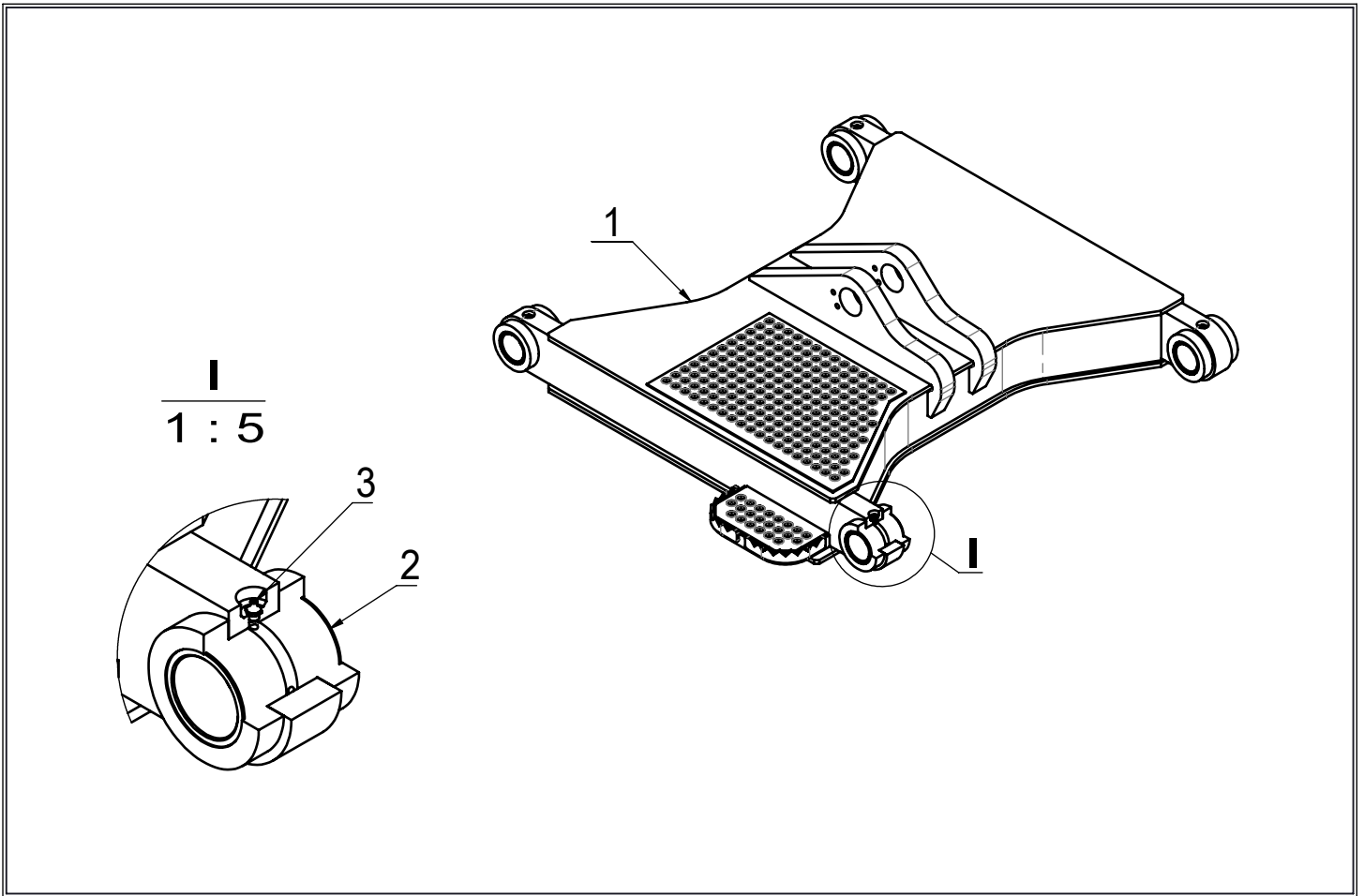
8J-2189B TOOTH GROUP-RIPPER(B)



ENTIRE GROUP

REF	PART#	QTY.	DESC
1	9J-3139B	1	TOOTH
2	3B-5325B	2	COTTER
3	8J-2190B	1	PIN
4	6Y-0359B	1	TIP RIPPER
5	114-0359B	1	RETAINER AS.-GET
6	114-0358B	1	PIN

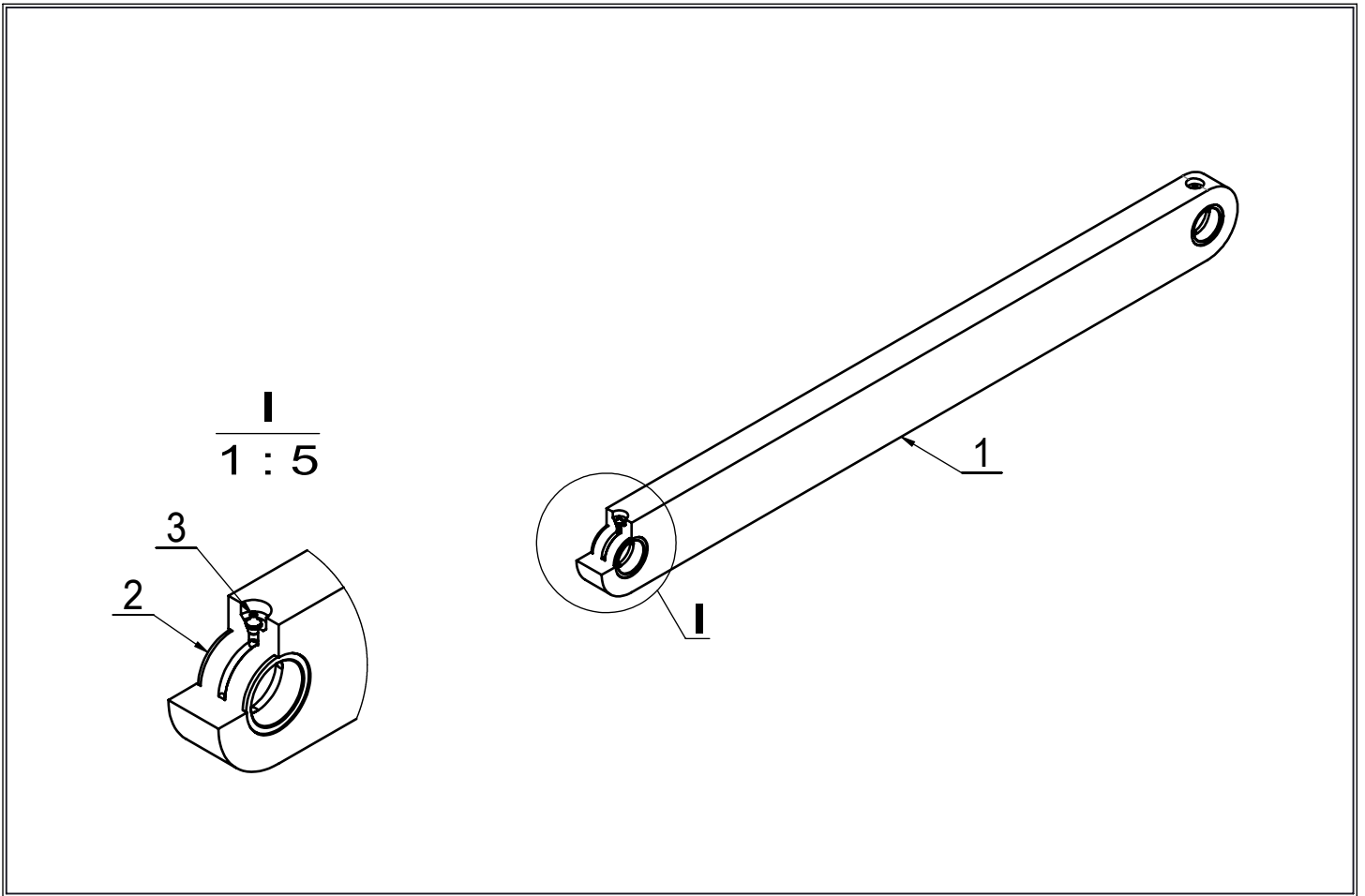
322-3354B LINK AS.



ENTIRE GROUP

REF	PART#	QTY.	DESC
1	322-3355B	1	LINK AS. - LOWER
2	9W-0099B	4	BEARING-SLEEVE
3	3B-8489B	4	1/8 27 DRYSEAL TO PTF

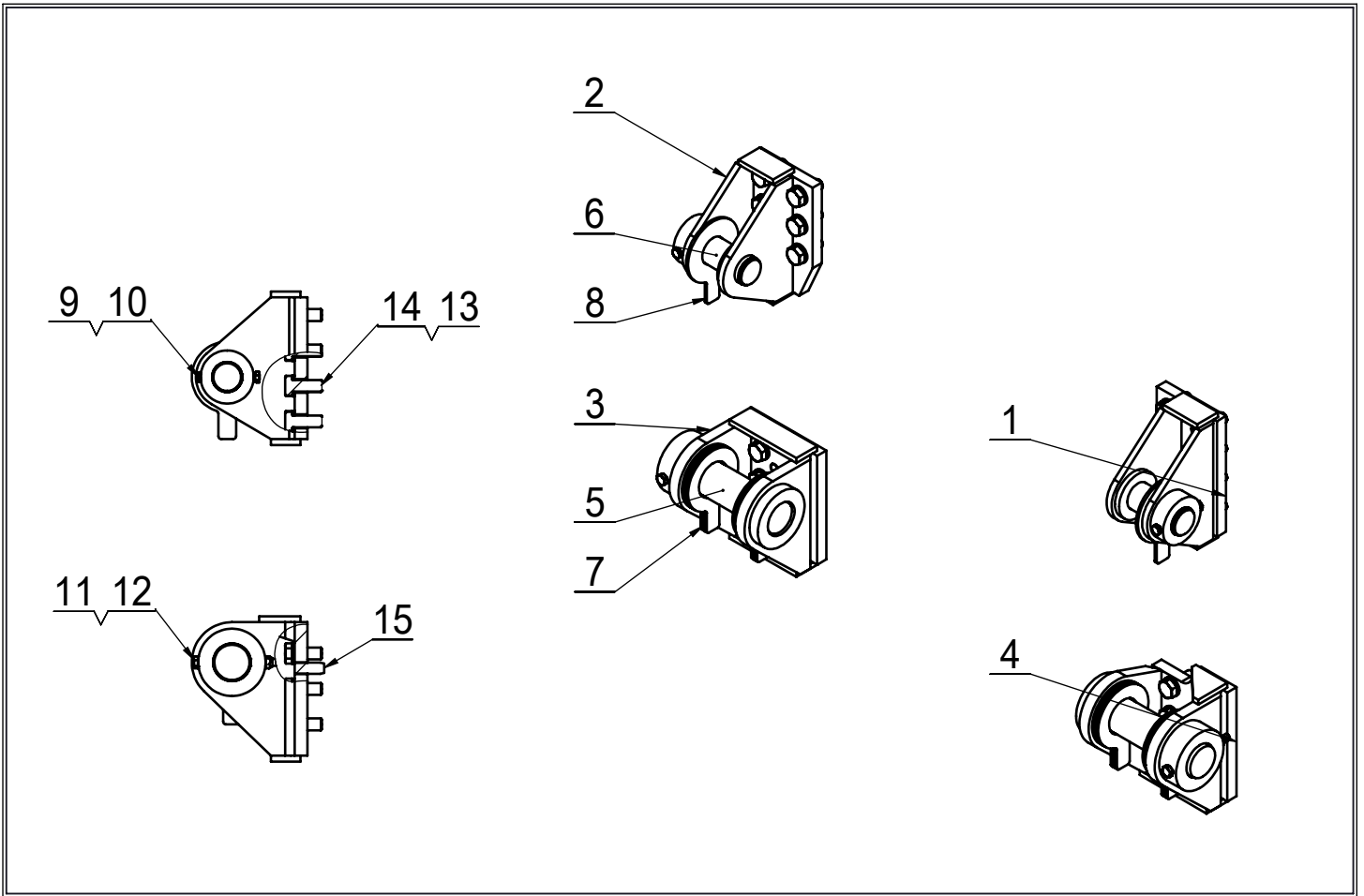
3A-8612B LINK AS.



ENTIRE GROUP

REF	PART#	QTY.	DESC
1	3A-8629B	1	LINK
2	7J-9682B	2	BEARING
3	3B-8489B	2	1/8 27 DRYSEAL TO PTF

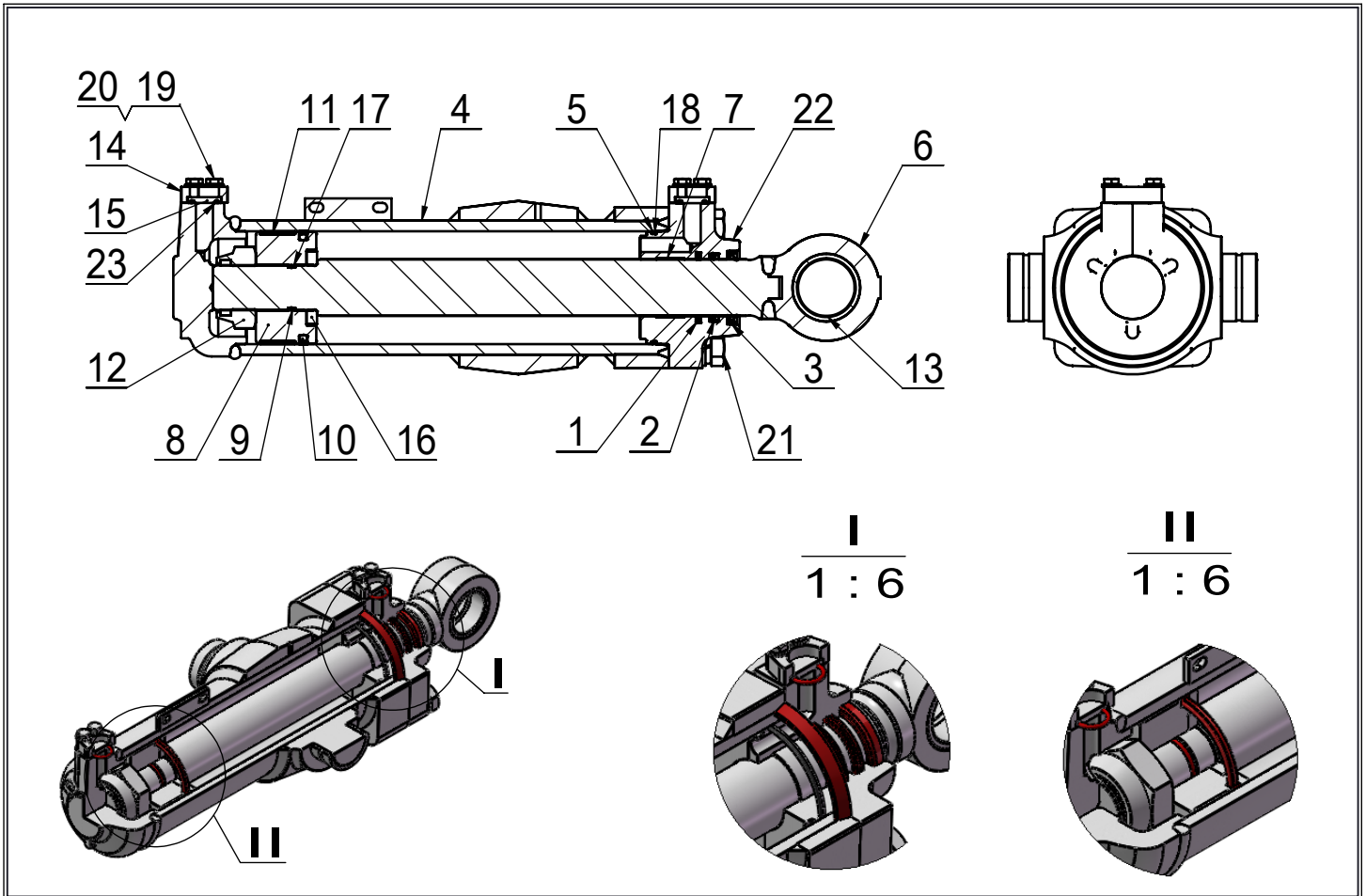
359-3346B MTG GP-RIPPER



ENTIRE GROUP

REF	PART#	QTY.	DESC
1	114-5671B	1	PLATE AS. (RH)
2	114-5672B	1	PLATE AS. (LH)
3	3A-8613B	1	BRACKER AS. (LH)
4	3A-8614B	1	BRACKER AS. (RH)
5	1U-0159B	2	PIN
6	1U-0063B	2	PIN
7	9N-4450B	12	SPACER
8	193-3074B	2	SPACER
9	6V-7744B	2	M10×1.5 LOCKNUT
10	8T-4198B	2	M10×1.5 BOLT
11	6V-7687B	2	M12×1.75 LOCKNUT
12	8T-5412B	2	M12×1.75 BOLT
13	8T-4123B	26	WASHER HARD
14	8T-6430B	26	M20×2.5 BOLT
15	6K-8987B	2	DOWEL

227-0842B CYLINDER GP-RIPPER



ENTIRE GROUP

REF	PART#	QTY.	DESC
1	167-2201B	1	SEAL AS. -BUFFER
2	167-2312B	1	SEAL - U - CUP
3	225-3281B	1	SEAL - WIPER
4	230-4873B	1	CYLINDER AS.
5	310-2189B	1	SEAL - O RING
6	448-8811B	1	ROD AS.
7	8T-5668B	1	RING
8	3G-1753B	1	PISTON
9	Ø51×Ø3.5	1	SEAL-O-RING
10	9X-7264B	1	SEAL AS.
11	4J-3420B	1	RING
12	2J-0564B	1	NUT - SELF LOCKING 2- 12

REF	PART#	QTY.	DESC
13	2K-4507B	1	BEARING - SLEEVE
14	1P-4576B	2	FLANGE - HALF
15	5H-4018B	2	COVER
16	3G-1757B	1	WASHER
17	A51×45.6×1.5	2	RING
18	2K-4096B	1	RING
19	8T-4186B	8	M10×1.5 BOLT
20	8T-4121B	8	WASHER - HARD
21	173-9779B	4	M24×3 BOLT
22	230-4872B	1	HEAD
23	4J-5267B	2	SEAL-O-RING