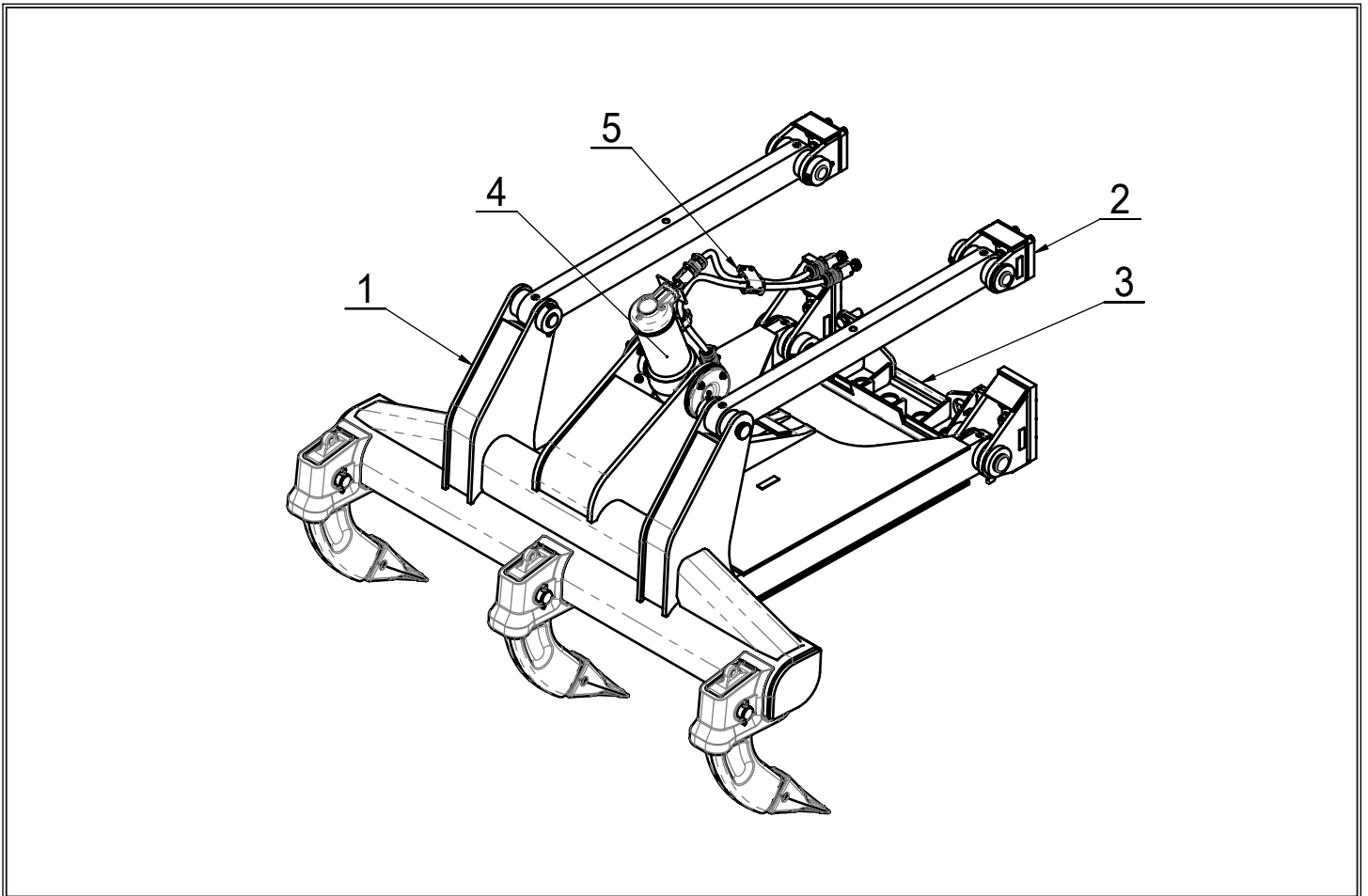


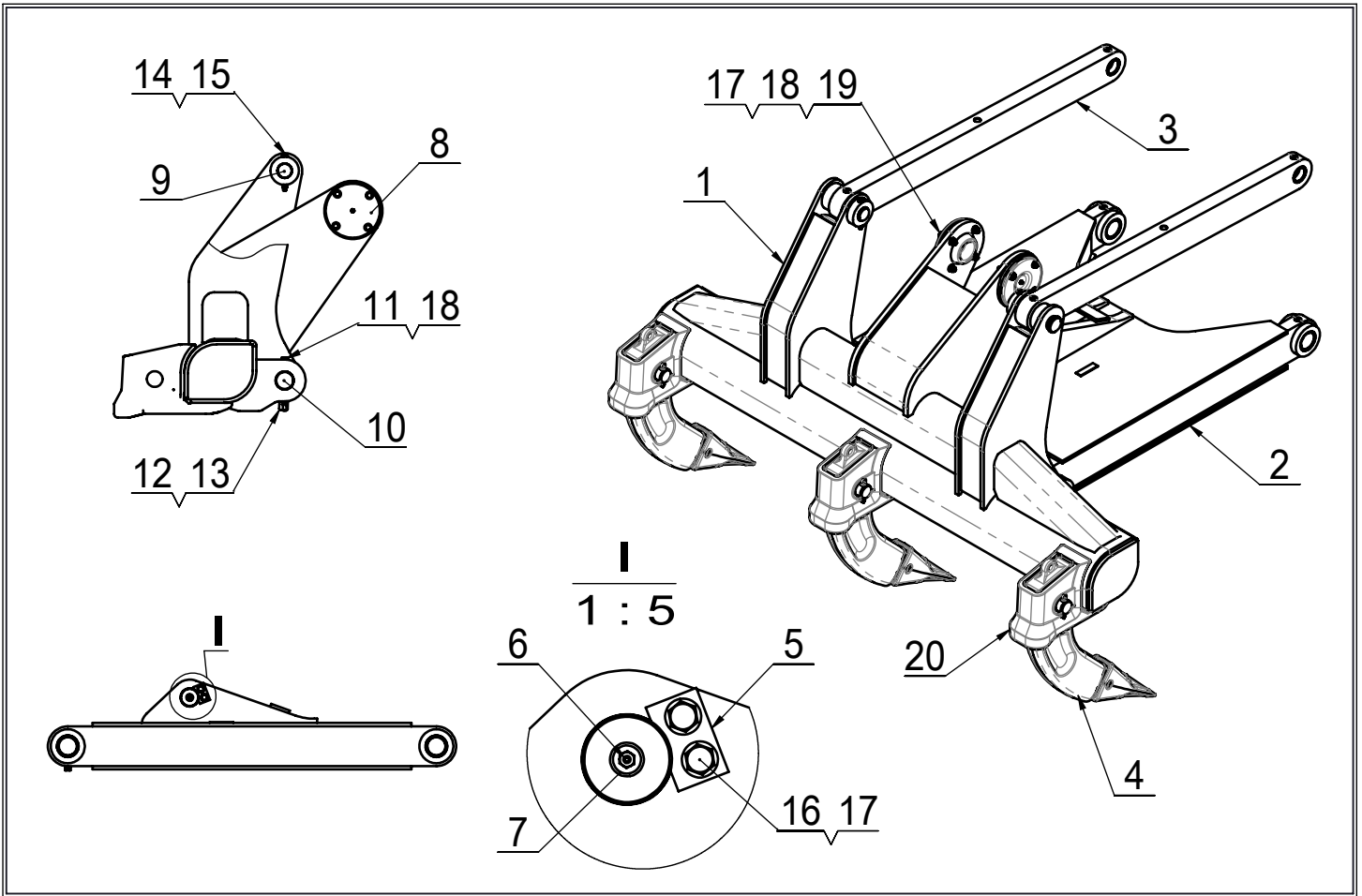
224-4499B Rippers



**ENTIRE GROUP**

REF	PART#	QTY.	DESC
1	235-8805B	1	RIPPER GP
2	224-4454B	1	MOUNTING GP-RIPPER
3	3W-1356B	1	GUARD GP-TRANSMISSION
4	227-0842B	1	CYLINDER GP-RIPPER
5	235-8180B	1	LINES GP-RIPPER

235-8805B RIPPER GP

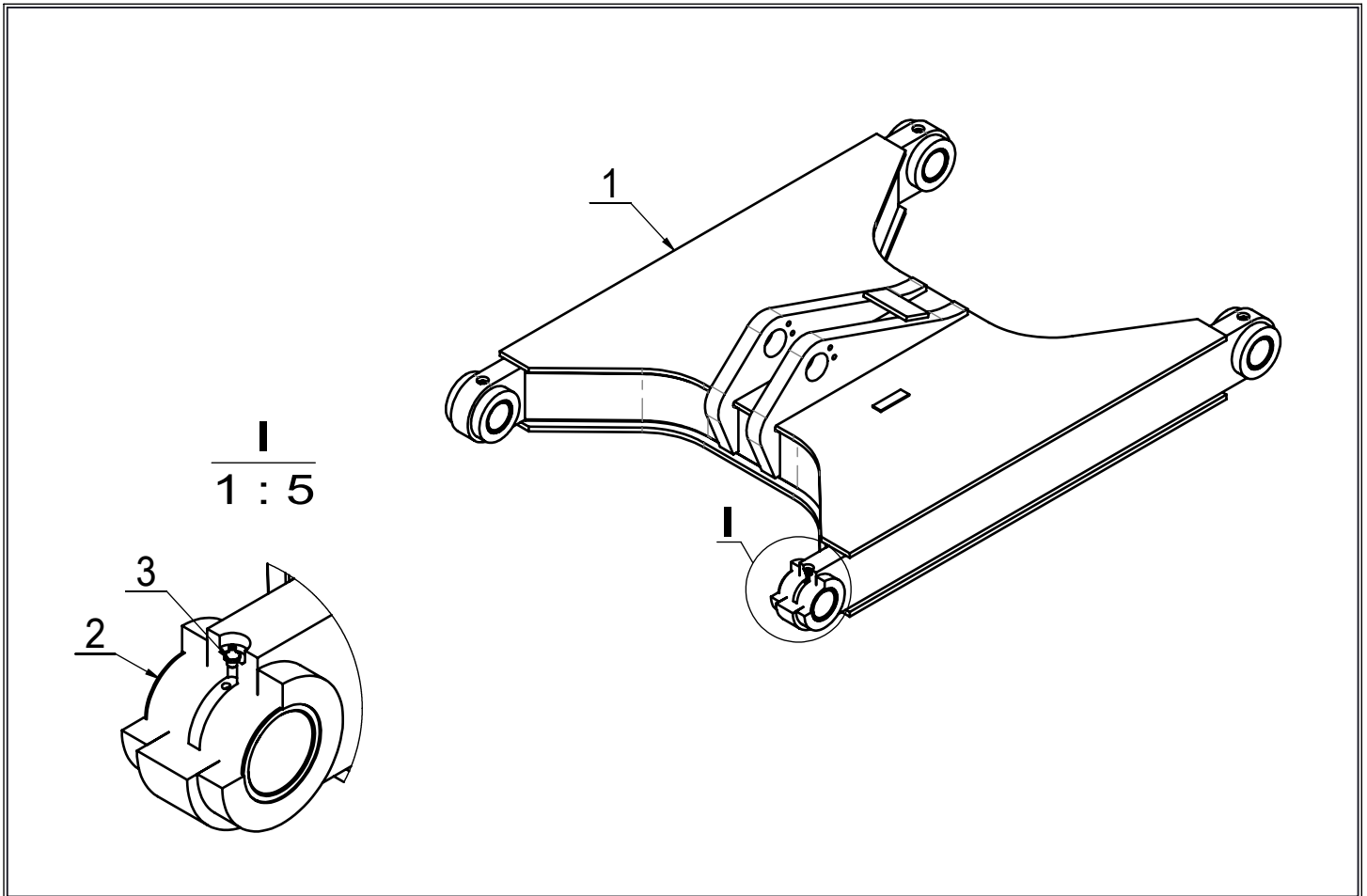


**ENTIRE GROUP**

REF	PART#	QTY.	DESC
1	290-0862B	1	CARRIAGE AS.
2	189-0985B	1	FRAME AS.-BRG &
3	9W-0873B	2	LINK AS.
4	9J-8926B	3	TOOTH GROUP-RIPPPER (B)
5	2K-0703B	1	BAR
6	3B-8489B	3	FITTING-HYD
7	3K-8510B	1	PIN
8	4K-3004B	2	BEARING-TRUNNION
9	9J-9598B	2	PIN
10	1U-0159B	2	PIN
11	8T-7929B	2	BOLT

REF	PART#	QTY.	DESC
12	9N-4449B	4	SPACER
13	9N-4450B	2	SPACER
14	6V-7744B	2	LOCKNUT
15	7X-2543B	2	BOLT
16	5C-6565B	2	BOLT
17	8T-4223B	18	WASHER-HARD
18	8T-4244B	10	LOCKNUT
19	8T-4648B	8	BOLT
20	5K-7748B	3	HOLDER-TOOTH

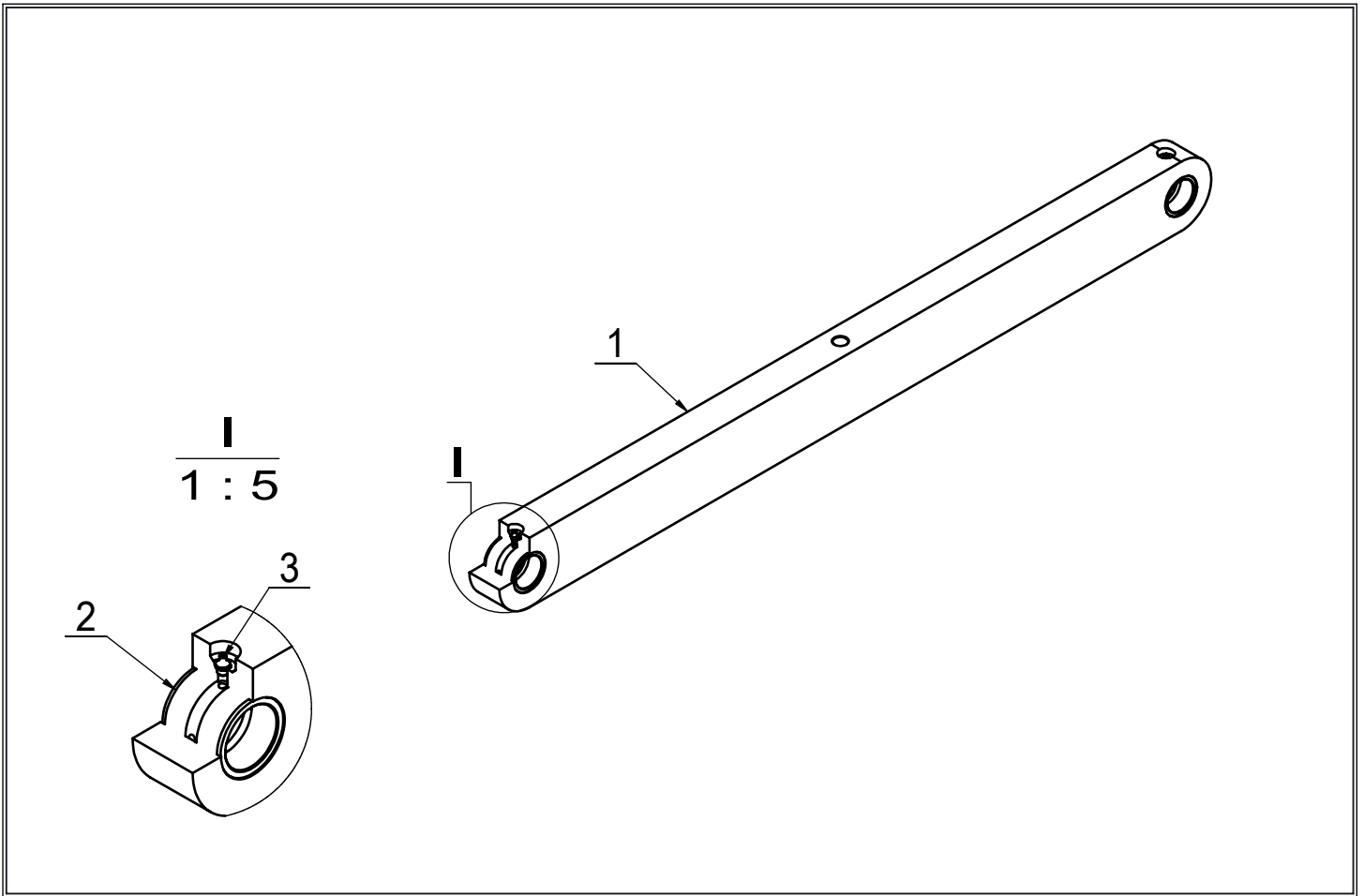
189-0985B FRAME AS.-BRG &



**ENTIRE GROUP**

REF	PART#	QTY.	DESC
1	189-0986B	1	FRAME AS.
2	9W-0099B	4	BEARING-SLEEVE
3	3B-8489B	4	FITTING-HYD

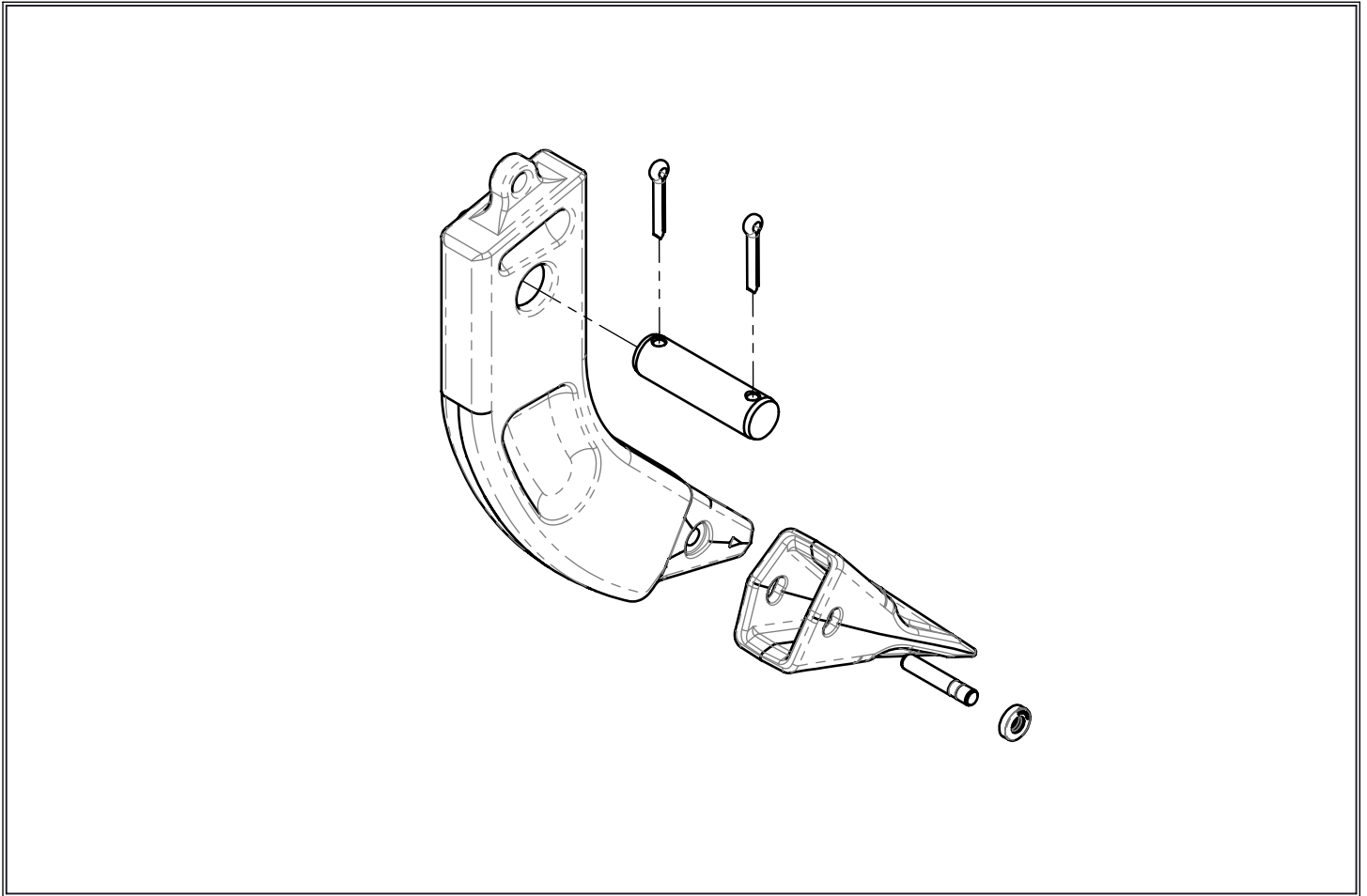
9W-0873B LINK AS.



**ENTIRE GROUP**

REF	PART#	QTY.	DESC
1	9W-0872B	1	LINK
2	9W-0876B	2	BEARING-SLEEVE
3	3B-8489B	2	FITTING-HYD

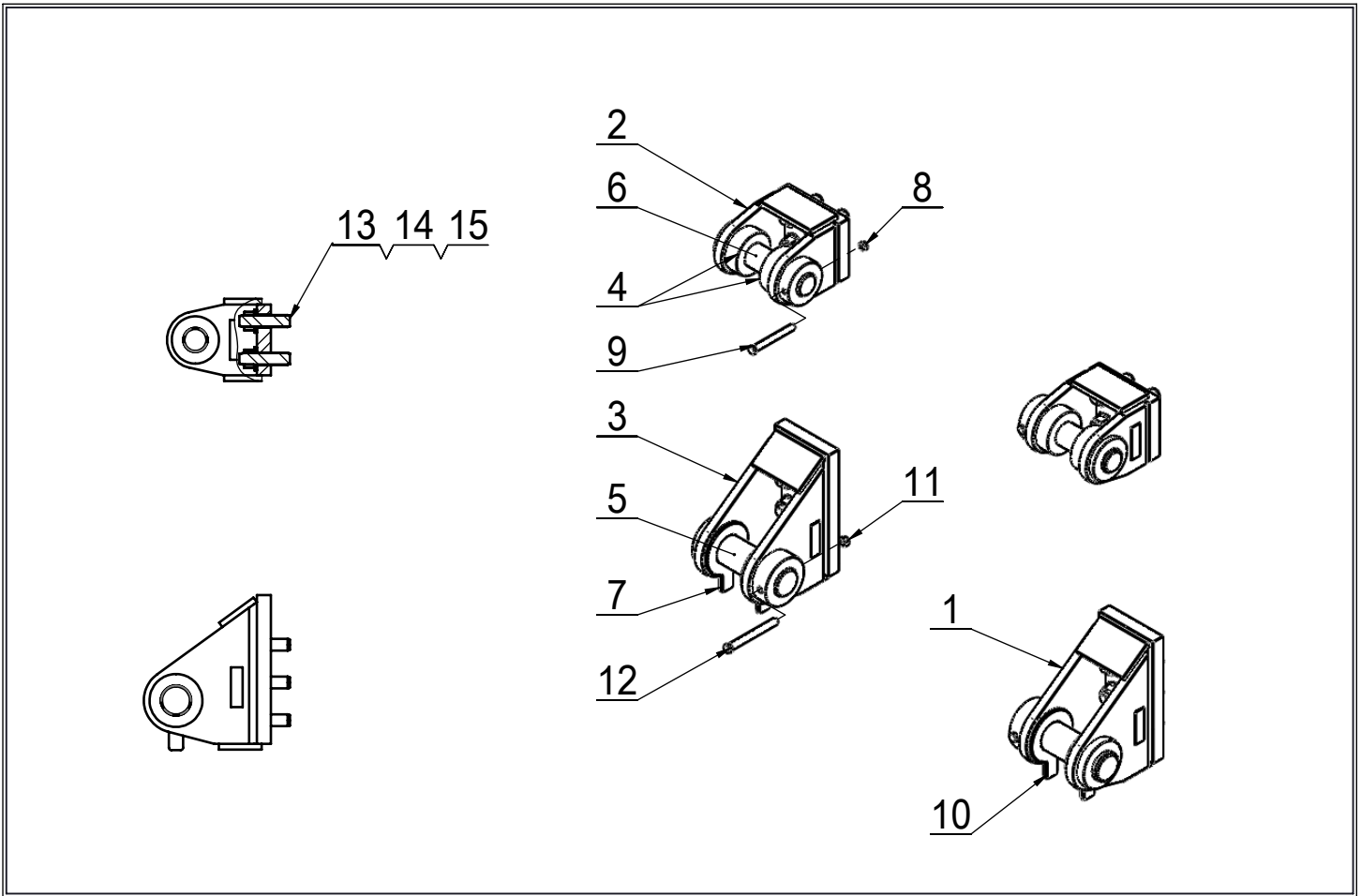
9J-8926B TOOTH GROUP-RIPPER (B)



**ENTIRE GROUP**

REF	PART#	QTY.	DESC
1	9J-8923B	1	TOOTH GP-RIP
2	6Y-0352B	1	TIP RIPPER
3	8J-2190B	1	PIN
4	3B-5325B	3	COTTER
5	114-0358B	1	PIN
6	114-0359B	1	RETAINER AS.-GET

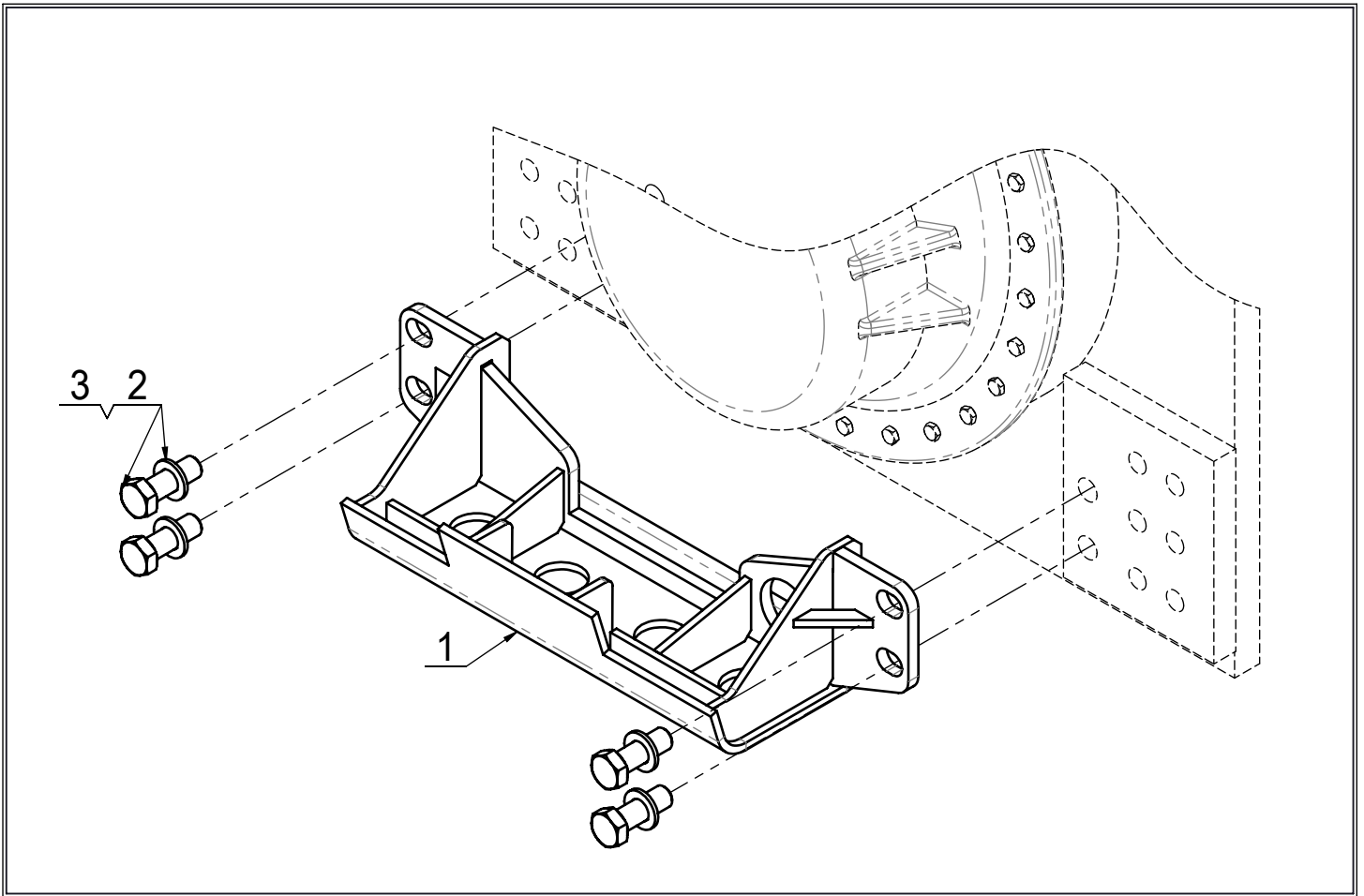
224-4454B MOUNTING GP-RIPPER



**ENTIRE GROUP**

REF	PART#	QTY.	DESC
1	1U-0300B	1	BRACKET AS.
2	1U-0301B	2	BRACKET AS.
3	7T-1975B	1	BRACKET AS.
4	9W-0609B	4	SPACER
5	1U-0159B	2	PIN
6	1U-0612B	2	PIN
7	9N-4450B	4	SPACER
8	6V-7744B	2	LOCKNUT
9	7X-2543B	2	BOLT
10	9N-4449B	12	SPACER
11	8T-4244B	2	LOCKNUT
12	8T-5412B	2	BOLT
13	9M-5854B	20	STUD TAPERLOCK
14	8T-5361B	20	WASHER-HARD
15	6V-8190B	20	NUT-FULL

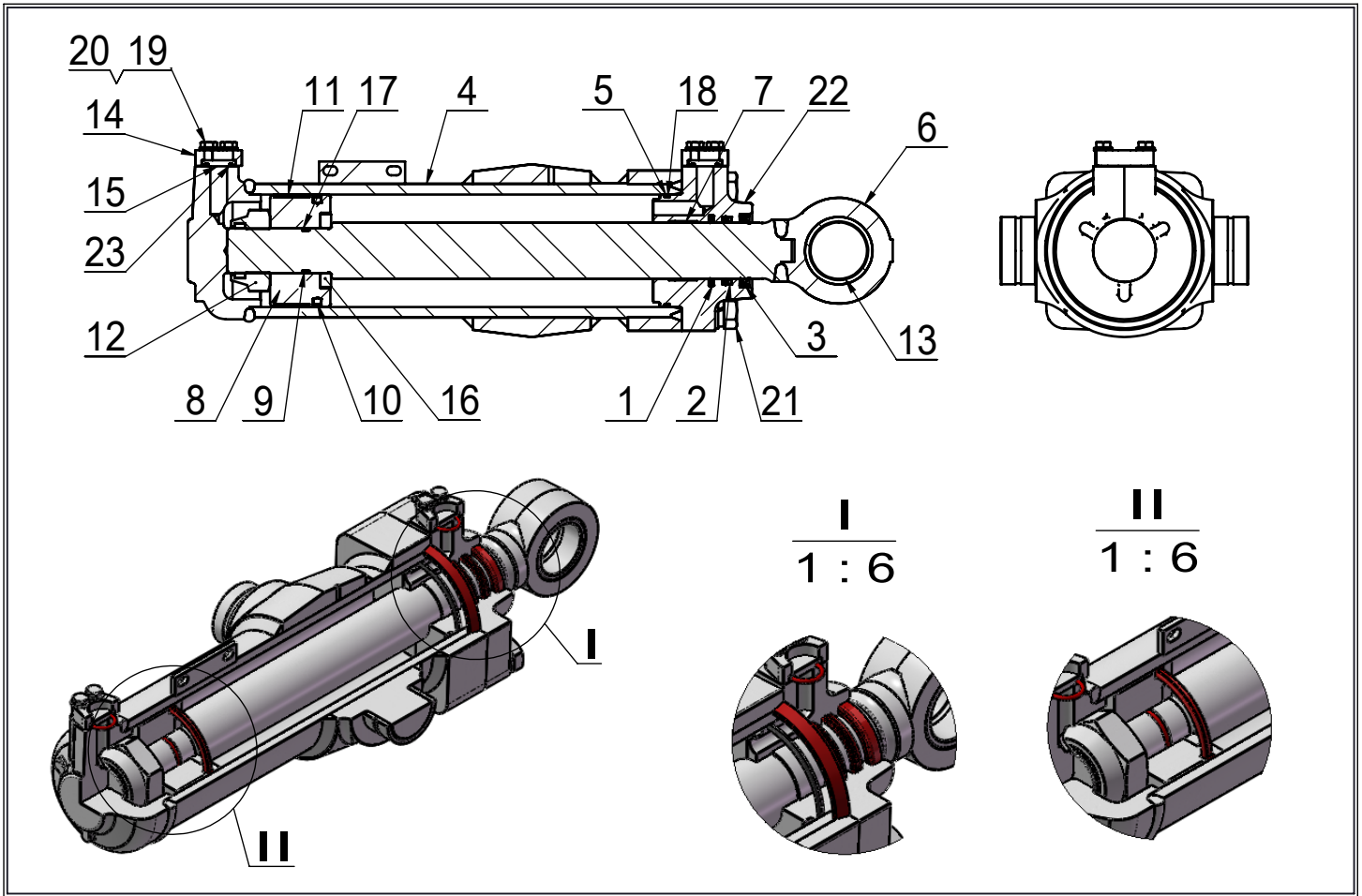
3W-1356B GUARD GP-TRANSMISSION



**ENTIRE GROUP**

REF	PART#	QTY.	DESC
1	368-4696B	1	GUARD AS.
2	7X-0402B	4	BOLT
3	8T-5361B	4	WASHER-HARD

227-0842B CYLINDER GP-RIPPER



**ENTIRE GROUP**

REF	PART#	QTY.	DESC
1	167-2201B	1	SEAL AS. -BUFFER
2	167-2312B	1	SEAL - U - CUP
3	225-3281B	1	SEAL - WIPER
4	230-4873B	1	CYLINDER AS.
5	310-2189B	1	SEAL - O RING
6	448-8811B	1	ROD AS.
7	8T-5668B	1	RING
8	3G-1753B	1	PISTON
9	∅51×∅3.5	1	SEAL-O-RING
10	9X-7264B	1	SEAL AS.
11	4J-3420B	1	RING
12	2J-0564B	1	NUT - SELF LOCKING 2- 12

REF	PART#	QTY.	DESC
13	2K-4507B	1	BEARING - SLEEVE
14	1P-4576B	2	FLANGE - HALF
15	5H-4018B	2	COVER
16	3G-1757B	1	WASHER
17	A51×45.6×1.5	2	RING
18	2K-4096B	1	RING
19	8T-4186B	8	M10×1.5 BOLT
20	8T-4121B	8	WASHER - HARD
21	173-9779B	4	M24×3 BOLT
22	230-4872B	1	HEAD
23	4J-5267B	2	SEAL-O-RING