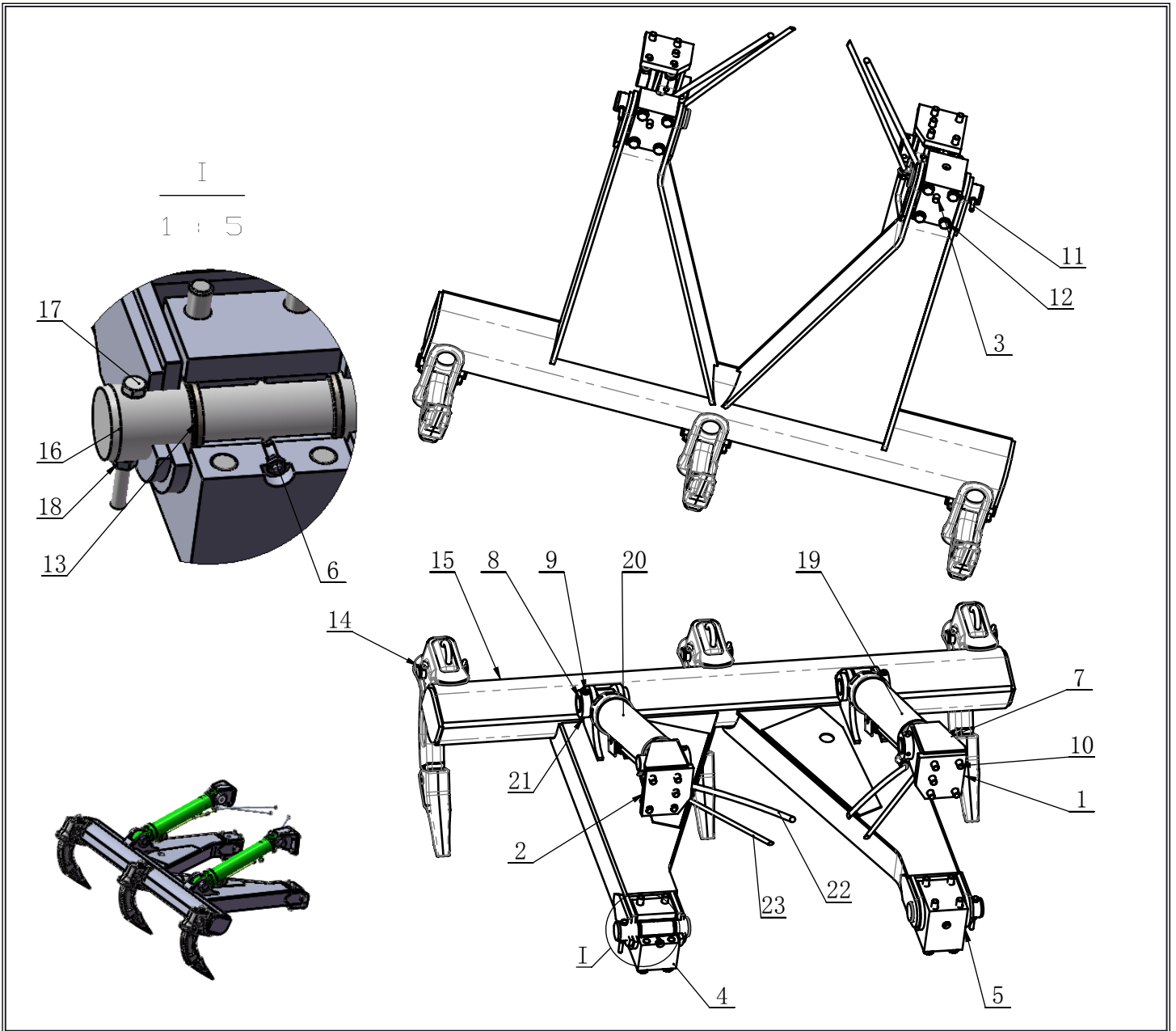


188-1876B RIPPER ARRANGEMENT

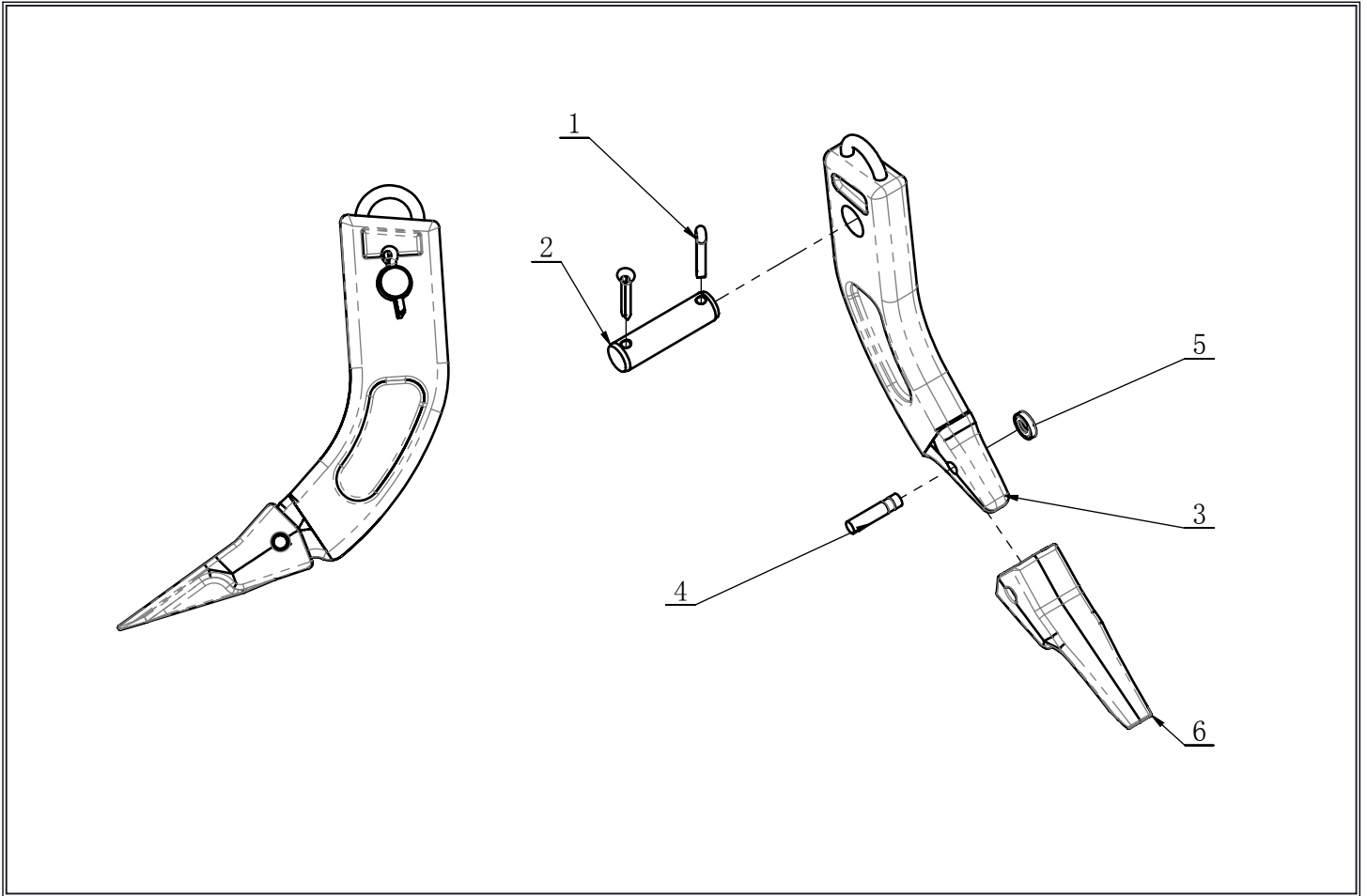


**ENTIRE GROUP**

REF	PART#	QTY.	DESC
1	8E-9189B	1	BRACKET ASSEM ,(L.H.)
2	8E-9193B	1	BRACKET ASSEM.(R,H,)
3	6K-8987B	2	DOWEL
4	102-7471B	1	BLOCK ASSEM.(R.H.)
5	102-7473B	1	BLOCK ASSEM.(L.H.)
6	3B-8489B	2	FITTING(1/8)
7	3G-1583B	2	PIN
8	1U-0063B	2	PIN
9	8T-4198B	2	M10×1.5 BOLT
10	8T-6430B	10	M20×2.5 BOLT
11	8T-4123B	13	WASHER

REF	PART#	QTY.	DESC
12	7X-2569B	8	M20×2.5 BOLT
13	7K-9205B	4	SEAL 73X61X6.3
14	3G-0109B	3	RIPPER TOOTH GROUP
15	1U-0623B	1	CARRIAGE AS.
16	1U-0159B	2	PIN
17	8T-5041B	2	BOLT - HEX HEAD M10×1.5
18	129-3180B	2	LOCKNUT
19	88-1839B-lh	1	OIL CYLINDER PIPE
20	188-1839B-rh	1	OIL CYLINDER PIPE
21	096-4883B	2	M10X1.5
22	188-1842B	2	HOSE AS
23	188-1843B	2	HOSE AS

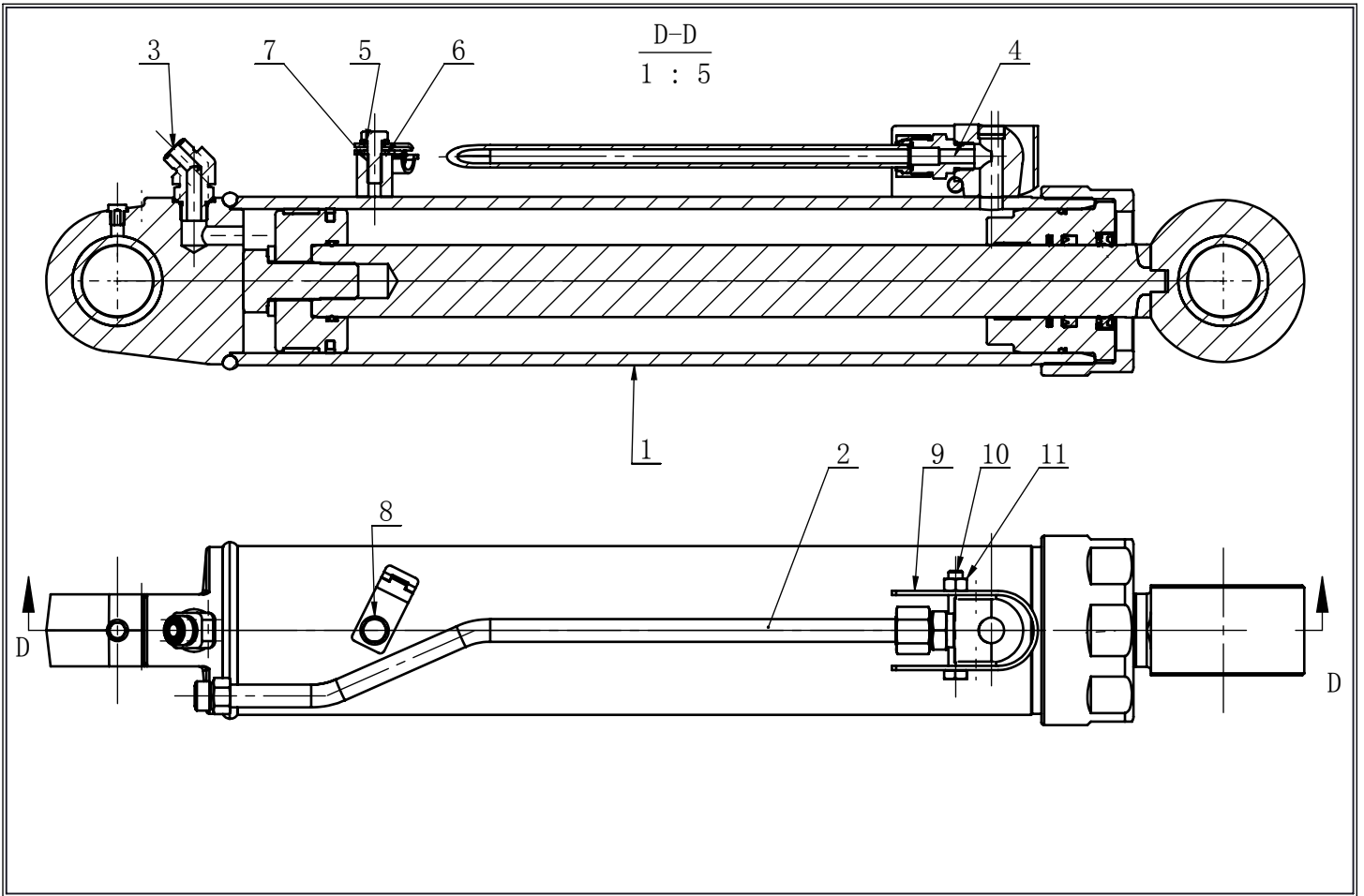
3G-0109B TOOTH GP



**ENTIRE GROUP**

REF	PART#	QTY.	DESC
1	3B-5325B	2	COTTER PIN
2	2K-6413B	1	PIN
3	9J-8913B	1	SHANK
4	136-8308B	1	PIN
5	114-0359B	1	RETAINER AS.-GET
6	6Y-0309B	1	TIP RIPPER

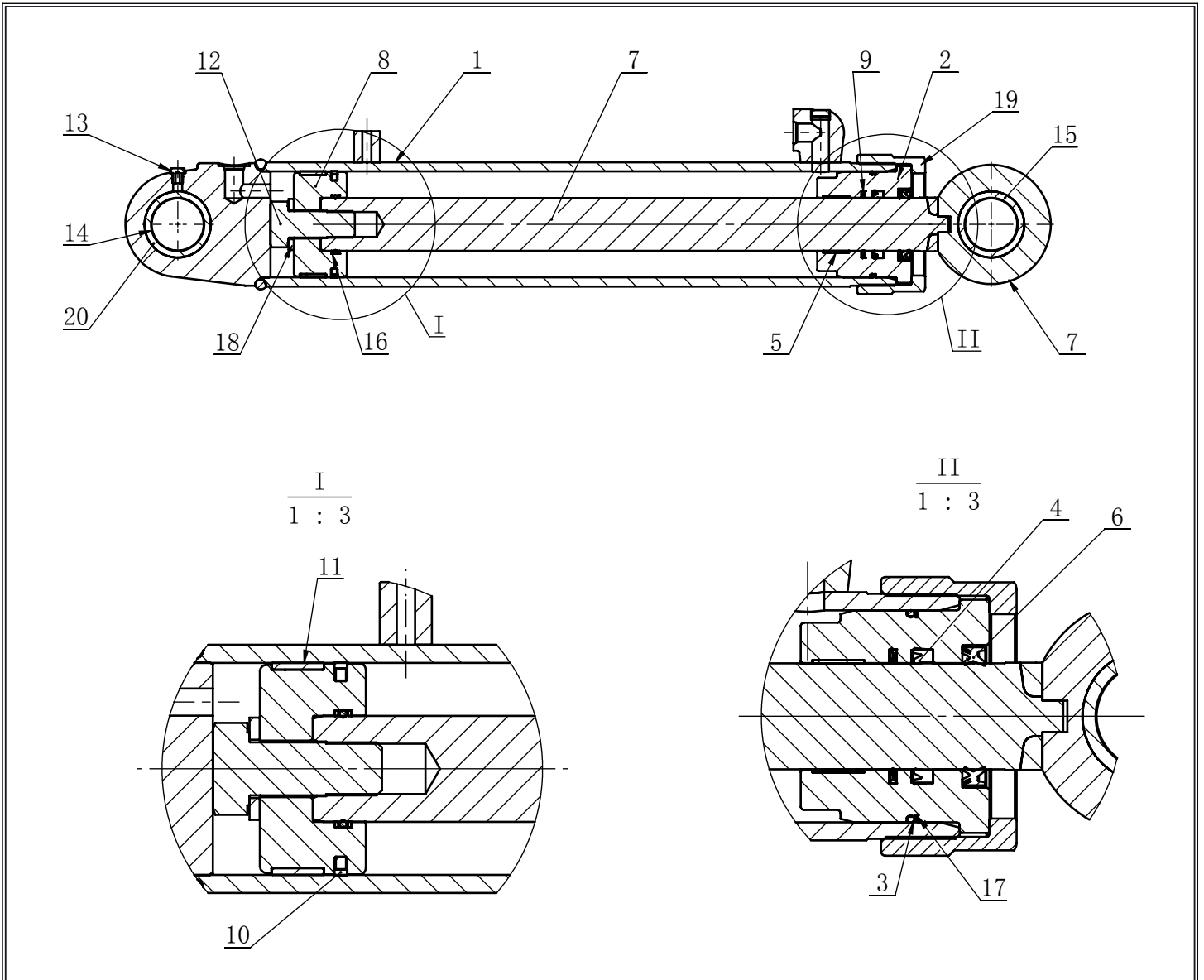
188-1839B OIL CYLINDER PIPE



**ENTIRE GROUP**

REF	PART#	QTY.	DESC
1	3G-9892B	1	CYLINDER GROUP-RIPPER
2	205-6401B	1	TUBE AS.
3	148-8354B	1	ELBOW AS
4	148-8342B	1	CONNCECTOR AS
5	3P-5903B	1	CLIP-2 PIECE
6	3P-5904B	1	CLIP-2 PIECE
7	BOLT	1	M10X30
8	WASHER	1	Φ20XΦ10.5X2
9	121-9579B	1	SHIELD
10	BOLT	1	M10X70
11	NUT	1	M10

3G-9892B CYLINDER GROUP-RIPPER



**ENTIRE GROUP**

REF	PART#	QTY.	DESC
1	1U-0399B	1	CYLINDER ASSEM
2	9T-9258B	1	HEAD
3	1H-8128B	1	SEAL
4	289-2946B	1	SEAL
5	4T-5613B	1	WEAR RING
6	308-1845B	1	SEAL
7	1U-0398B	1	ROD AS
8	7J-6469B	1	PISTON
9	289-2935B	1	SEAL ASSEM
10	5J-5402B	2	SEAL ASSEM

REF	PART#	QTY.	DESC
11	6J-2797B	1	WEAR RING
12	7J-5639B	1	BOLT
13	5M-6214B	1	PLUG
14	1U-0064B	1	BEARING
15	3G-0472B	1	BEARING
16	A60-5082B	1	SEAL RING
17	2K-6830B	1	RING
18	_5P-8250B	1	WASHER
19	7J-6461B	1	CROWN
20	7K-9203B	4	SEAL