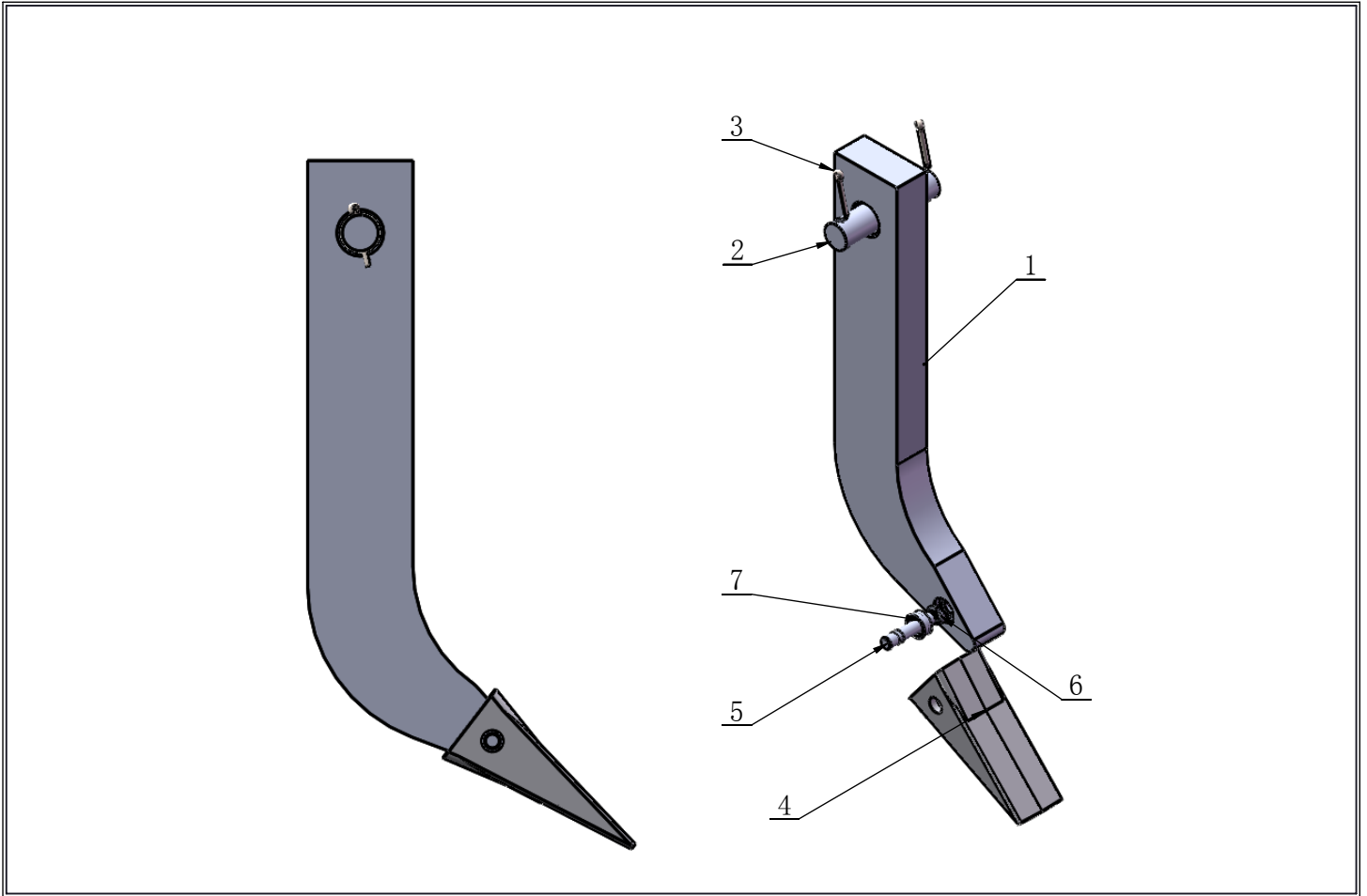




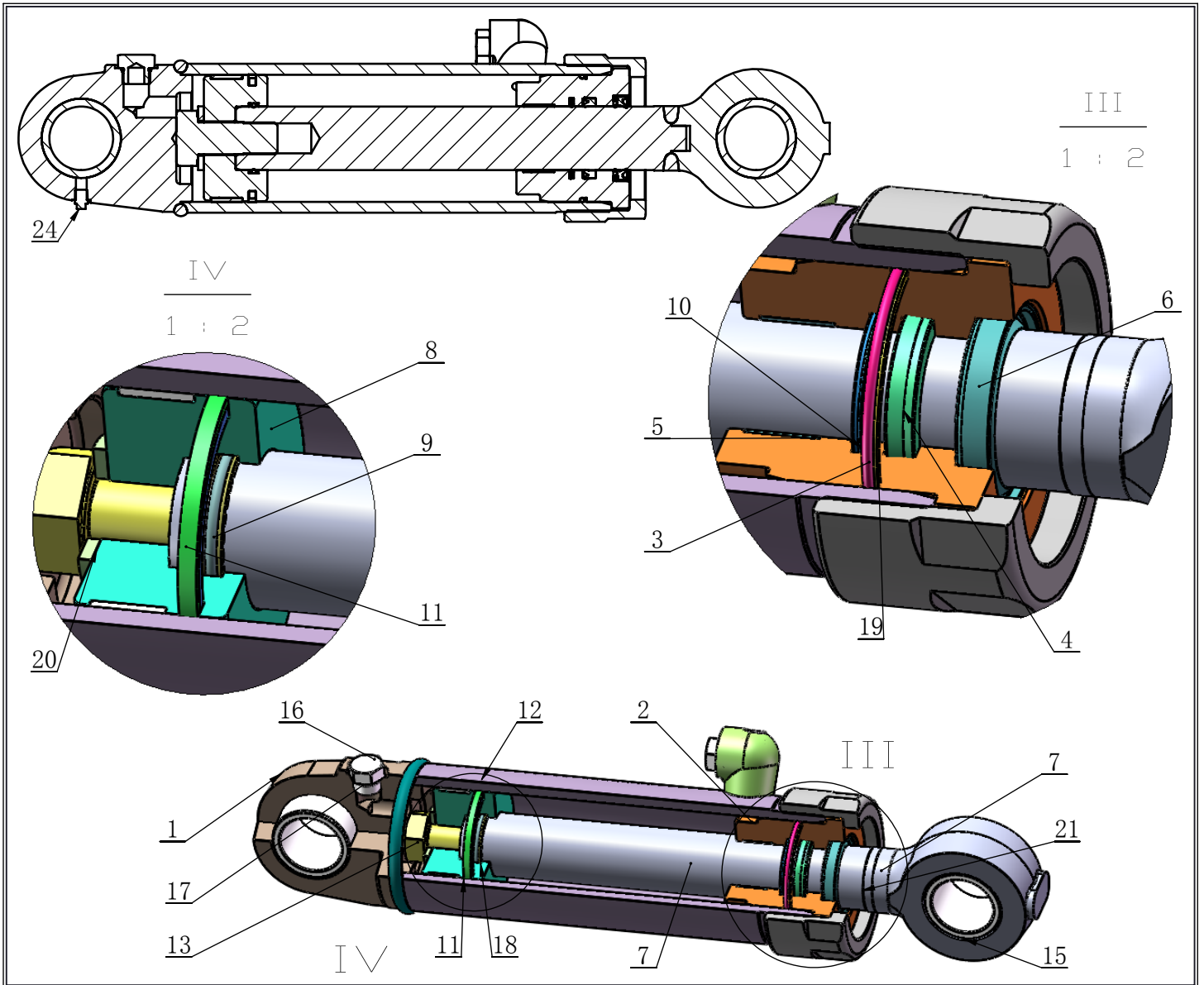
8J-5313B TOOTH GP



**ENTIRE GROUP**

REF	PART#	QTY.	DESC
1	8J-5299B	1	SHANK
2	6B-5464B	1	PIN
3	3B-4632B	2	COTTER
4	1U-3202B	1	TIP TOOTH
5	8E-6208B	1	PIN-G.E.T.
6	8E-6207B	1	RETIANER G.E.T.
7	8E-6206B	1	HOLDER-RETAINER

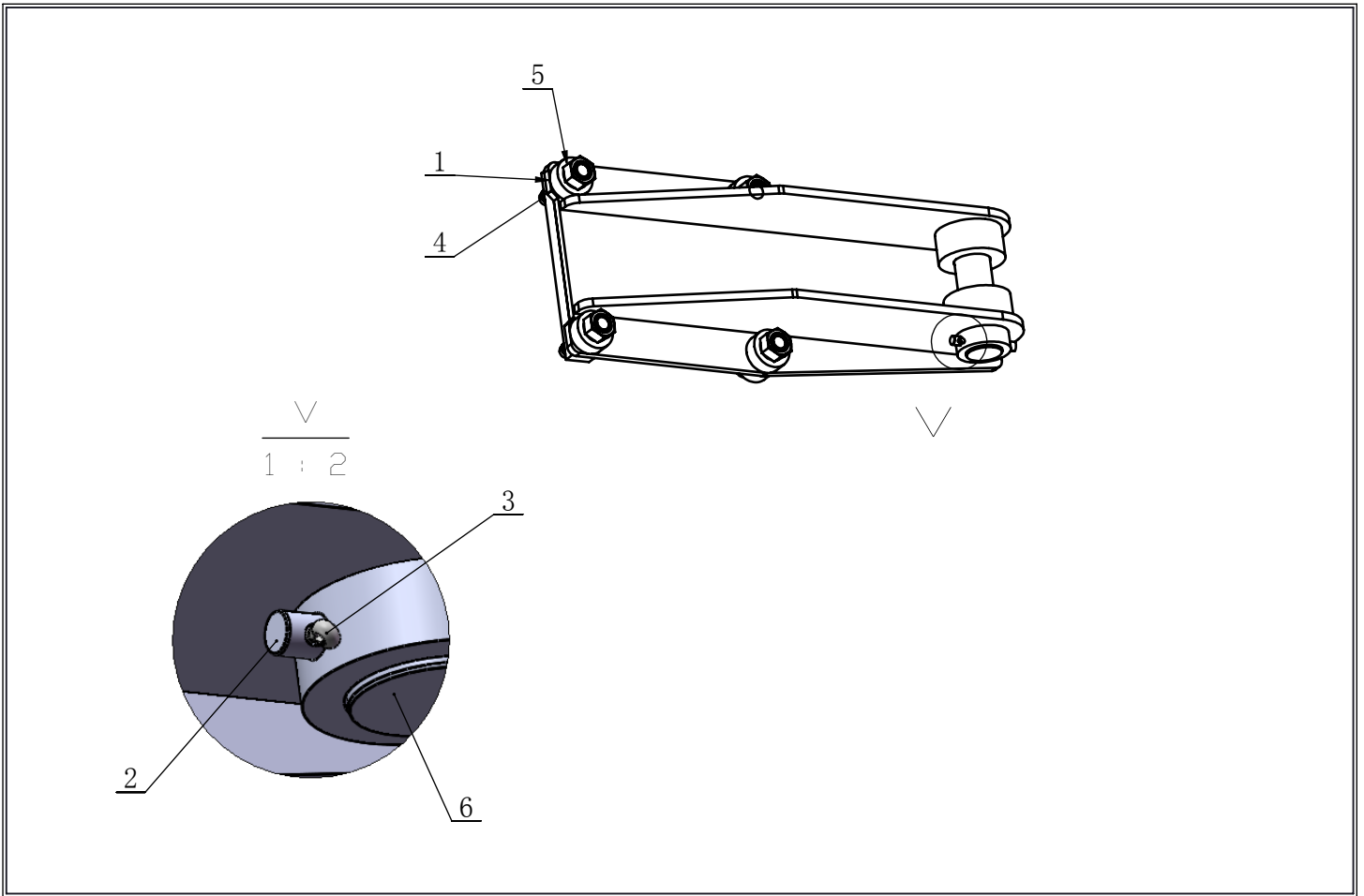
7J-9920B CYLINDER GP



**ENTIRE GROUP**

REF	PART#	QTY	DESC	REF	PART#	QTY	DESC
1	8J-3607B	1	CAP	12	6J-2797B	1	RING-WEAR
2	9T-9258	1	HEAD	13	7J-5136B	1	BPLT-LOCKING(1-14X2.5IN)
3	1H-8128B	1	SEAL-O-RING(94.84MM ID)	14	2P-1304B	1	PLUG-SEALING
4	289-2946B	1	SEAL-U-CUP	15	2K-0227B	2	BEARING-SLEEVE
5	4T-5613B	1	RING-WEAR	16	9S-4190B	2	PLUG-LIGHT DUTY STOR(EXTERNAL HEX.)
6	308-1845B	1	SEAL-WIPER(DOUBLE-LIP)(DIA 50.75 ROD)	17	2M-9780B	2	SEAL-O-RING-STOR(SAE 7/8-14)
7	7J-9916B	1	ROD-PISTON	18	A60-5082B	2	SEAL RING
8	7J-6469B	1	PISTON	19	2K-6830B	1	RING-BACKUP
9	O 6057B	1	SEAL-O-RING	20	8J-7415B	1	WASHER-HARD
10	289-2935B	1	SEAL AS.-BUEFER	21	7J-6461B	1	CROWN
11	5J-5402B	1	SEAL AS				

8J-3294B MOUNTING GROUP-RIPPER



**ENTIRE GROUP**

REF	PART#	QTY.	DESC
1	8J-3286B	1	PLATE ASSEMBLY
2	1J-6748B	1	PIN
3	3B-4627B	1	COTTER
4	9M-5854B	4	STUD-TAPERLOCK
5	6V-8190B	4	NUT-FULL
6	4F-2042B	1	PIN