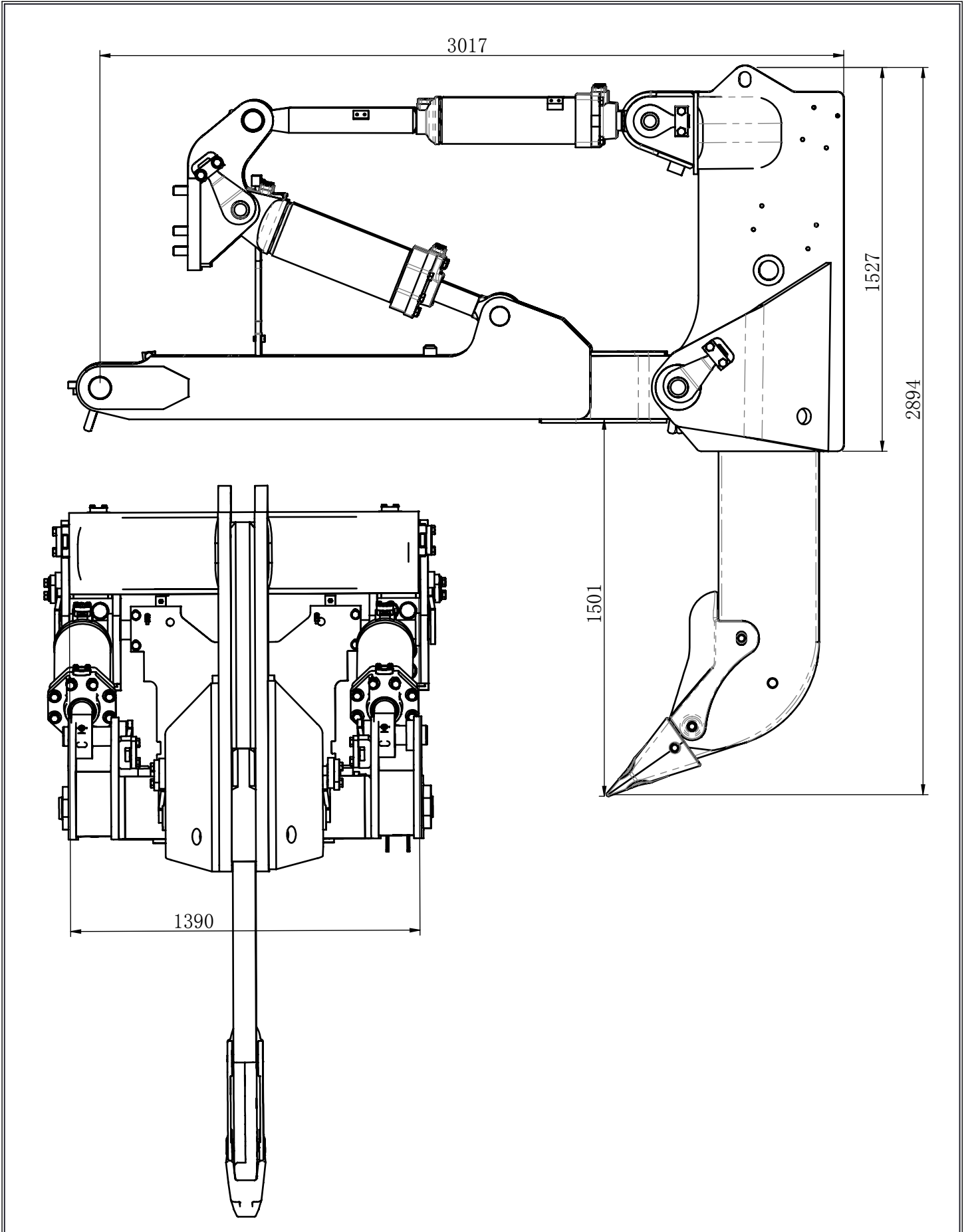
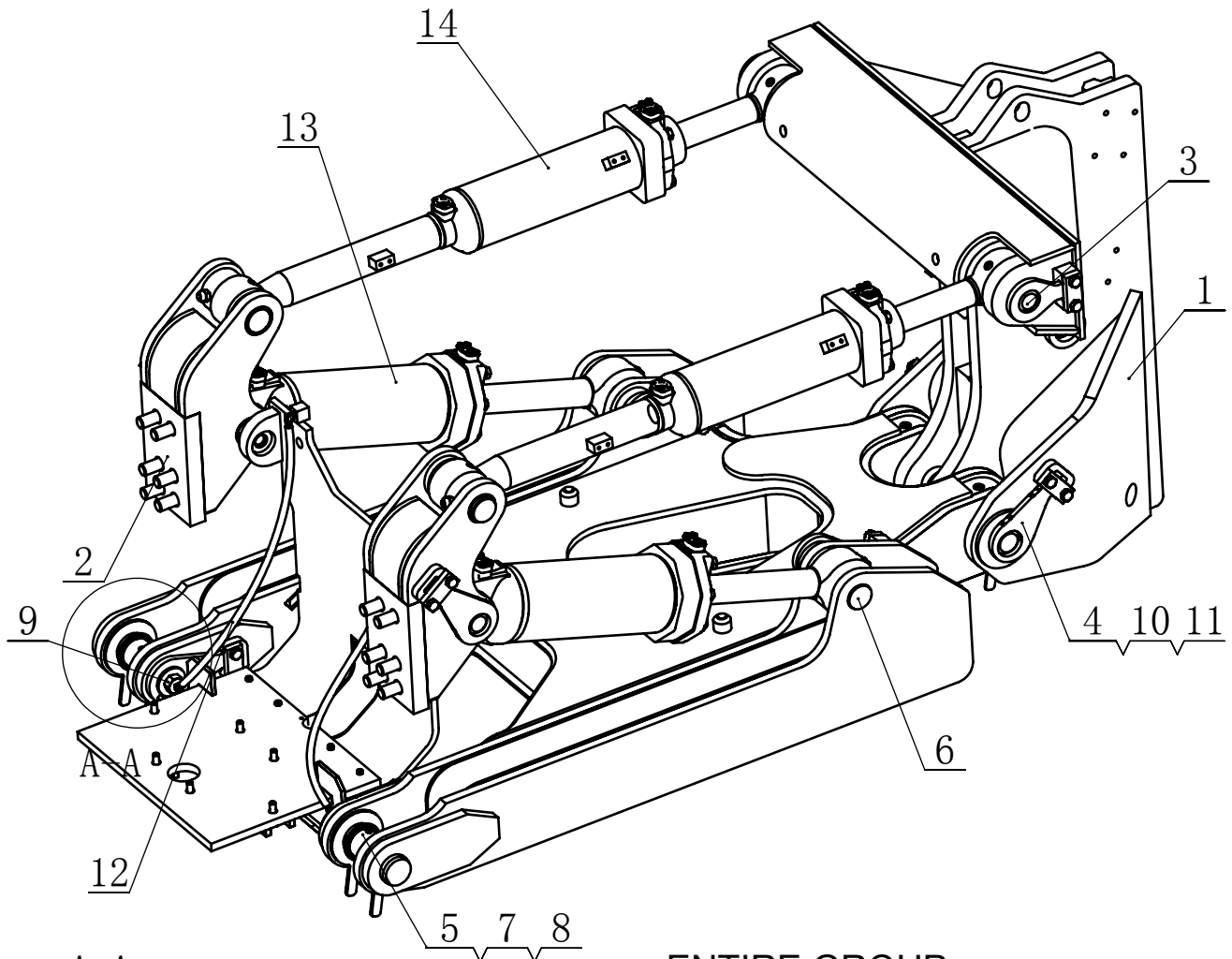


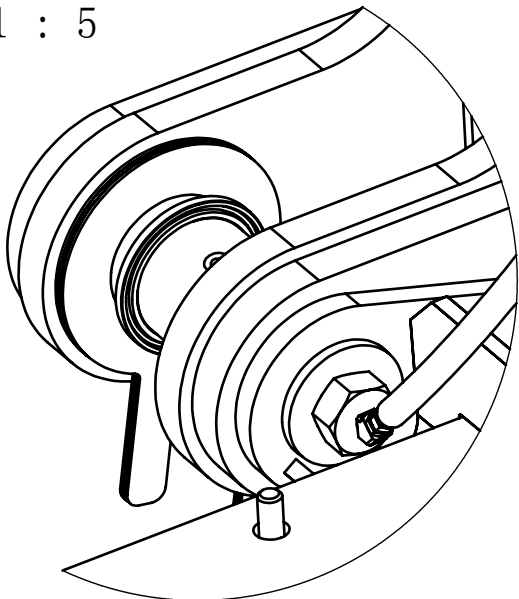
ENTIRE GROUP

REF	PART#	QTY.	DESC
1	135-2803B	1	FRAME GP - RIPPER
2	369-9247B	1	LINES GP - RIP - C
3	114-4502B	1	TOOTH GP - RIP - A
4	6E-3113B	1	CYLINDER GP - 0102 - 0138 - Y
5	216-0123B	1	LINES GP - PIN PULLER CYLINDER



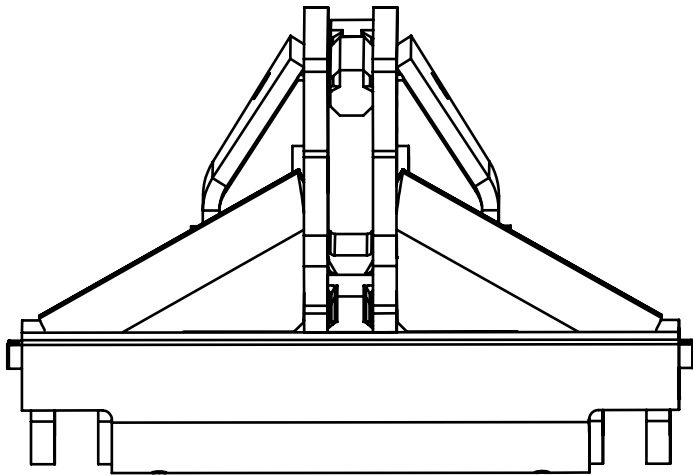
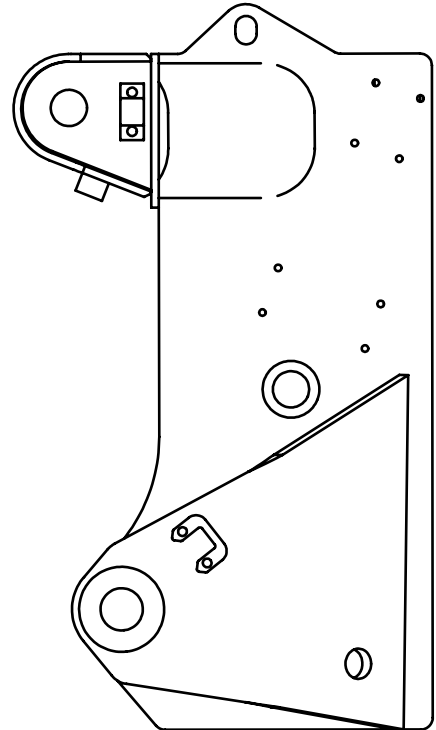
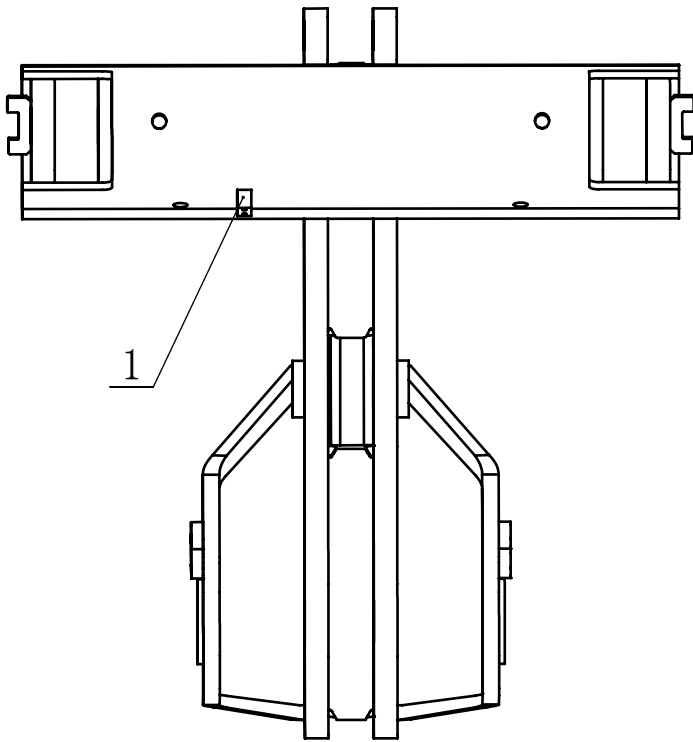


A-A
1 : 5



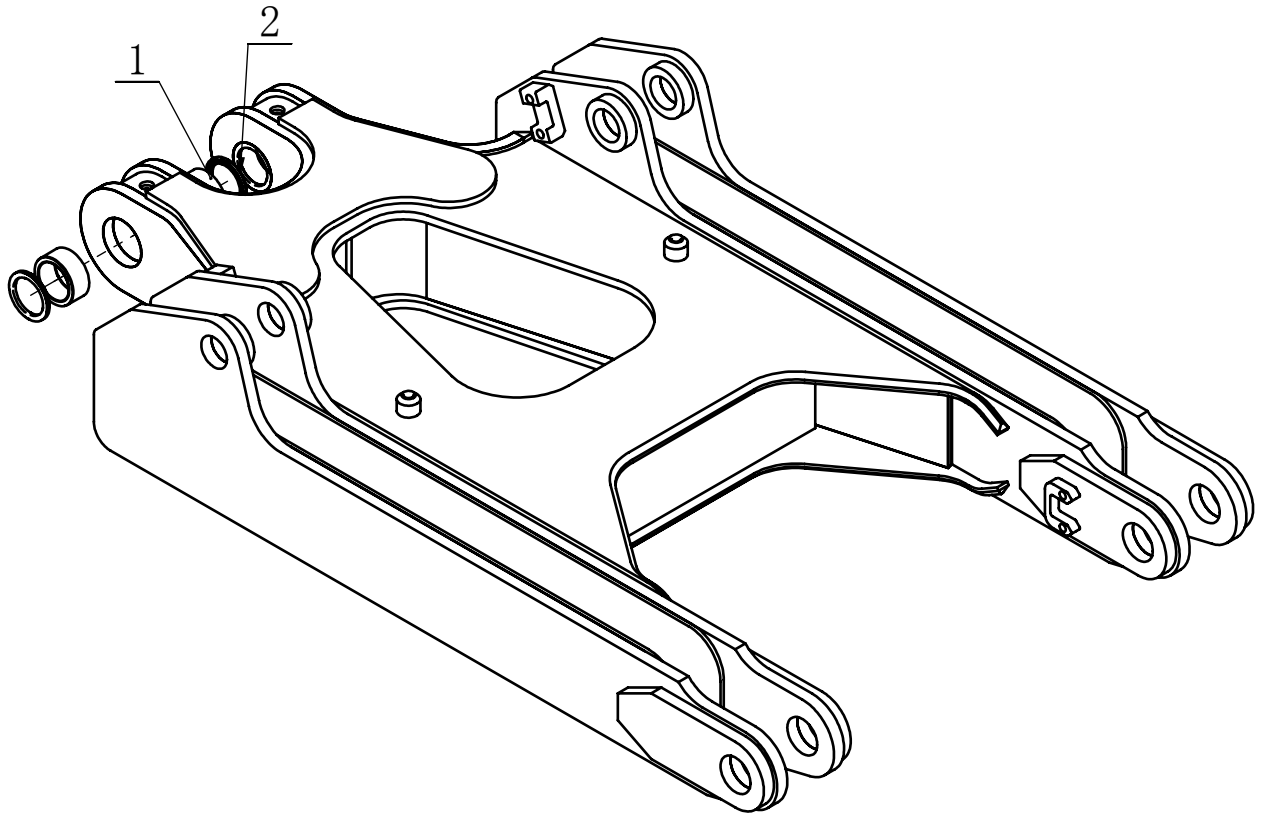
ENTIRE GROUP

REF	PART#	QTY.	DESC
1	134-0825B	1	CARRIAGE AS.
2	217-3561B	1	MOUNTING - GP RIPPER
3	132-7994B	2	PIN AS.
4	6J-9482B	2	PIN AS .
5	111-2104B	2	PIN AS.
6	9J-9055B	2	PIN AS.
7	3E-6757B	4	SEAL - LIP TYPE
8	4T-3522B	22	WASHER
9	154-4492B	2	PLUG
10	8T-5460B	16	BOLT M20
11	7T-7305B	8	PLATE
12	9R-6776B	1	HOSE AS
13	132-5123B	2	CYLINDER GP - 0184 - 0454 - Y
14	132-5149B	2	CYLINDER GP - 0152 - 0457 - Y

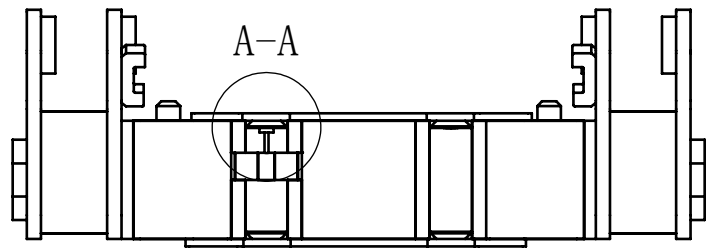
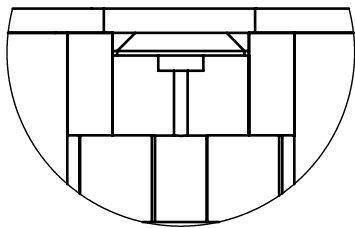


ENTIRE GROUP

REF	PART#	QTY.	DESC
1	106-0435B	1	PLATE

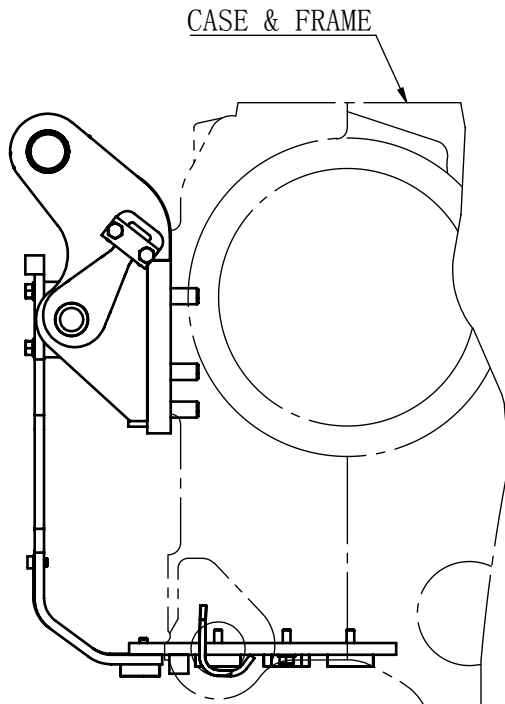
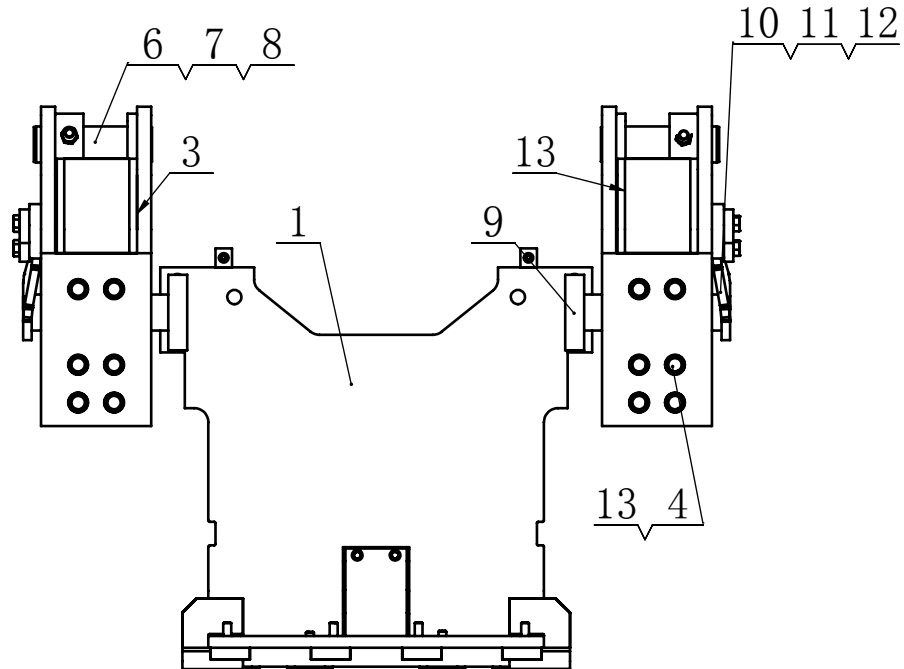


A-A
1 : 5



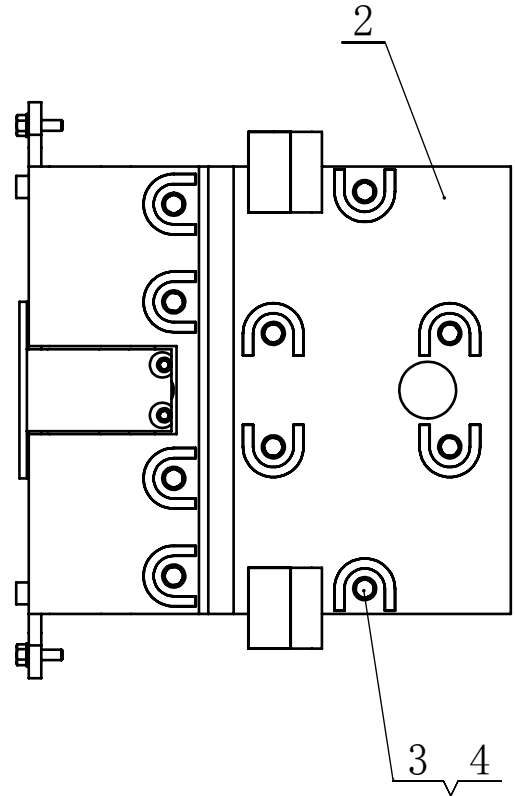
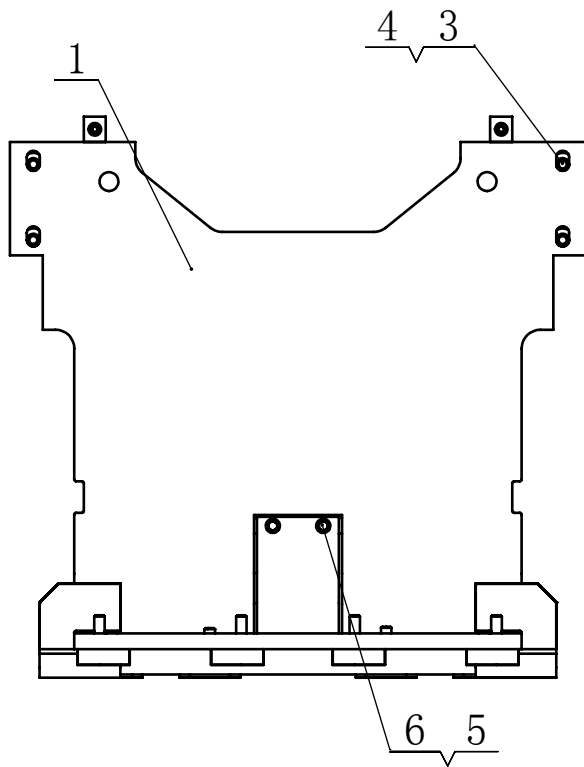
ENTIRE GROUP

REF	PART#	QTY.	DESC
1	4T-9751B	4	BEARING - SLEEVE
2	3E-6757B	4	SEAL - LIP TYPE



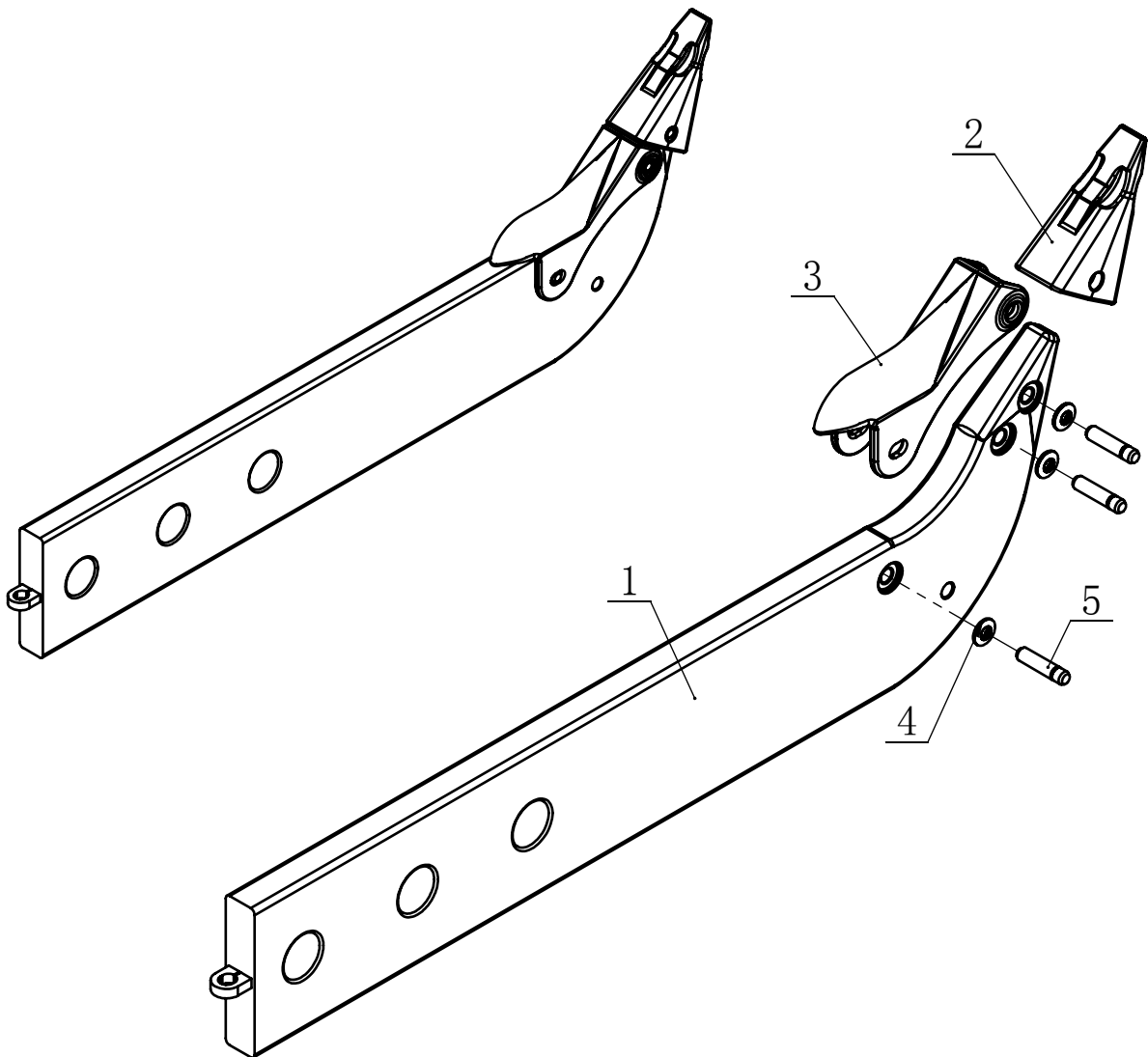
ENTIRE GROUP

REF	PART#	QTY.	DESC
1	9U-9712B	1	GUARD AS.
2	216-9722B	1	PLATE AS (RH)
3	216-9723B	1	PLATE AS (LH)
4	138-8455B	12	BOLT - HEX HEAD (1 1/2)
5	7X-0537B	12	WASHER - HEAD
6	216-9724B	2	PIN
7	7X-2488B	2	BOLT - HEX HEAD
8	6V-7688B	2	LOCKNUT
9	6T-6954B	2	BLOCK
10	9W-9243B	2	PIN AS.
11	7T-7305B	2	PLATE
12	8T-5460B	4	BOLT M20



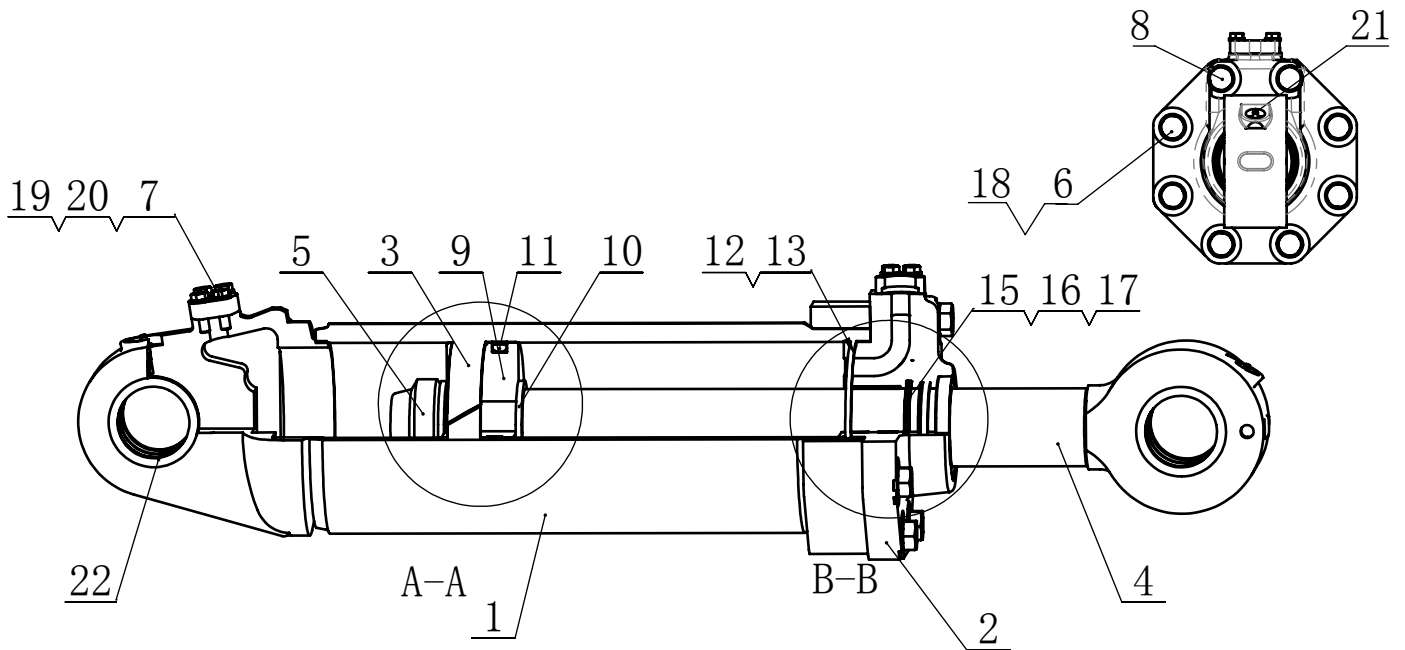
ENTIRE GROUP

REF	PART#	QTY.	DESC
1	9U-9713B	1	GUARD AS.
2	214-3877B	1	GUARD AS.
3	8T-9399B	14	BOLT
4	8T-4994B	14	WASHER-HARD
5	5P-1075B	4	WASHER-HARD
6	4L-6454B	4	BOLT (3/8)

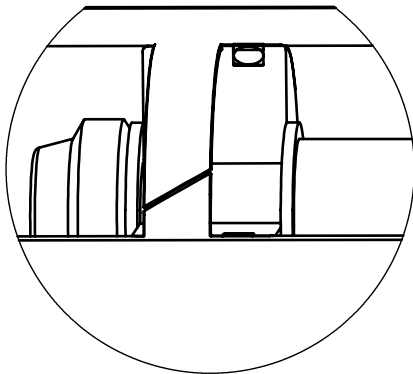


ENTIRE GROUP

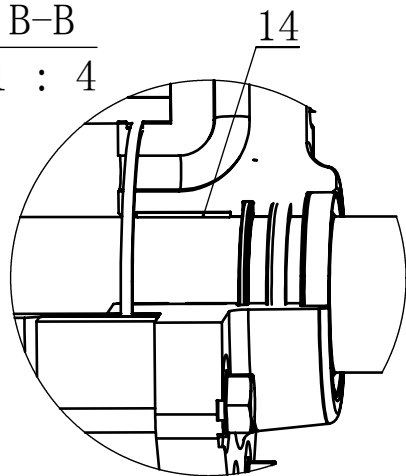
REF	PART#	QTY.	DESC
1	114-4503B	1	SHANK AS - RIPPER
2	4T-4501B	1	TIP - RIPPER
3	9W-8365B	1	PROTECTOR
4	6Y-1202B	3	RETAINER AS.
5	6Y-1204B	3	PIN - GET



A-A
1 : 4

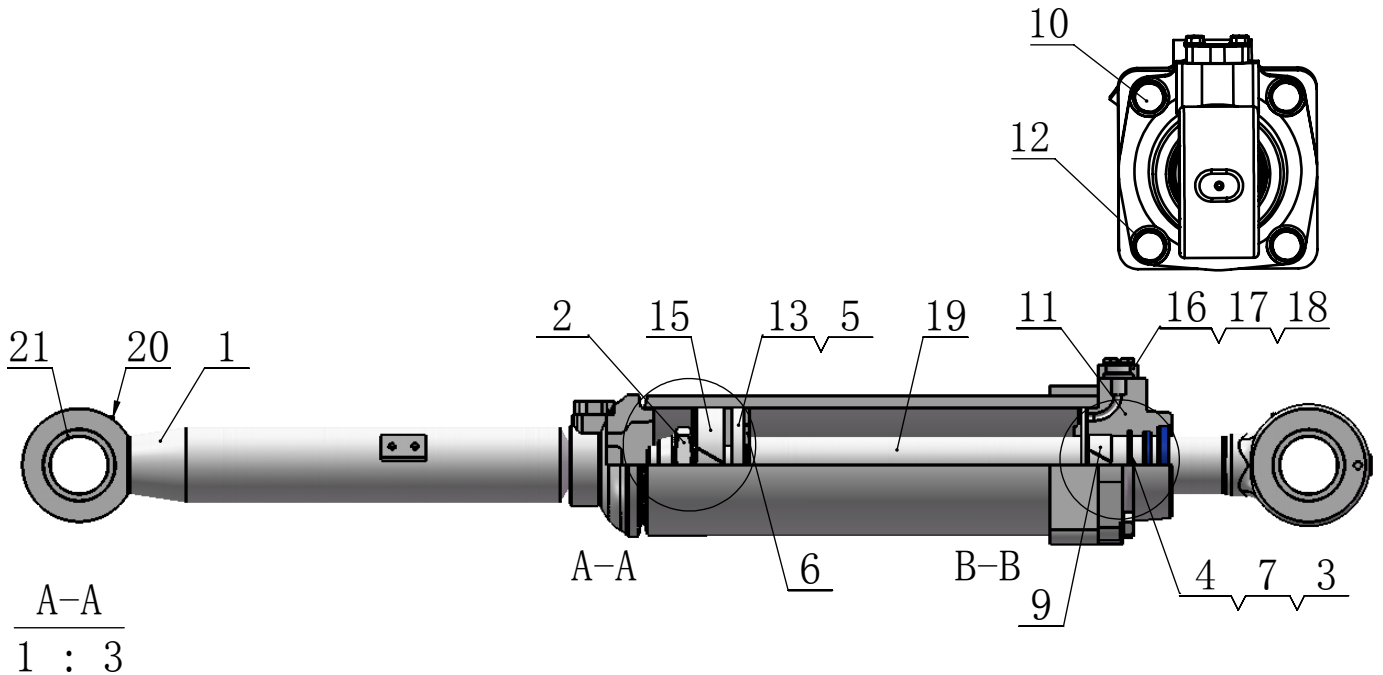


B-B
1 : 4

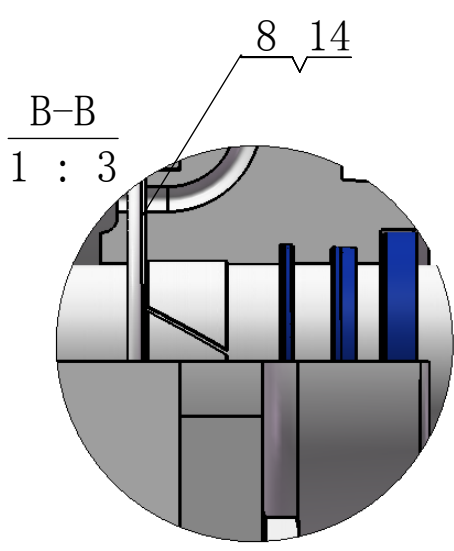
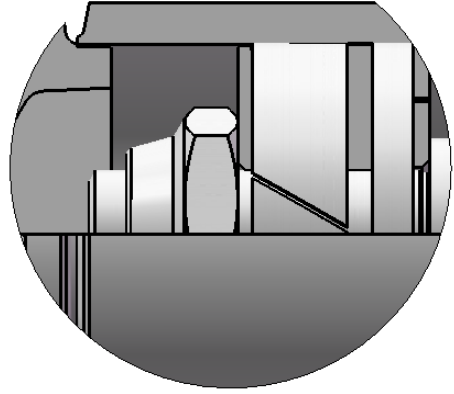


ENTIRE GROUP

REF	PART#	QTY.	DESC
1	132-5121B	1	CYLINDER AS.
2	132-5122B	1	HEAD
3	1J-2674B	1	RING
4	147-6116B	1	ROD AS.
5	5J-3488B	1	NUT - SELF LOCKING 2 1/4-12
6	6V-5845B	6	BOLT M20×2.5
7	8T-4196B	8	BOLT M10×1.5
8	6V-9667B	2	BOLT - HEX HEAD M20×2.5
9	9T-5809B	1	PISTON
10	119-8455B	2	WASHER
11	8T-1790B	1	SEAL AS.
12	5P-7593B	1	SEAL - O - RING
13	1U-1738B	1	RING - BACKUP
14	8T-6745B	1	RING
15	167-2209B	1	SEAL AS. - BUFFER
16	167-2320B	1	SEAL - U - CUP
17	225-3285B	1	SEAL - WIPER
18	8T-3282B	8	WASHER - HARD
19	1P-4576B	4	FLANGE - HALF
20	8T-4121B	8	WASHER - HARD
21	3B-8489B	2	FITTING-HYD
22	3E-6756B	4	SEAL - PIN



A-A
1 : 3



ENTIRE GROUP

REF	PART#	QTY.	DESC
1	132-5146B	1	CYLINDER AS.
2	2J-0564B	1	NUT - SELF LOCKING
3	312-4247B	1	SEAL - WIPER
4	312-4248B	1	SEAL AS.- BUFFER
5	9T-5805B	1	PISTON
6	6J-9747B	1	WASHER
7	167-2319B	1	SEAL - U - CUP
8	8J-1717B	1	RING
9	9T-0094B	1	RING - WEAR
10	6V-5845B	4	BOLT M20×2.5
11	132-5147B	1	HEAD
12	8T-3282B	4	WASHER - HARD
13	4T-4144B	1	SEAL AS.
14	6D-9157B	1	SEAL - O - RING
15	9J-5860B	1	RING - HARD
16	1P-4576B	2	FLANGE - HALF
17	8T-4121B	8	WASHER - HARD
18	8T-4196B	8	BOLT M10×1.5
19	449-2187B	1	ROD AS.
20	3B-8489B	2	FITTING-GREASE
21	3E-6756B	4	SEAL - PIN