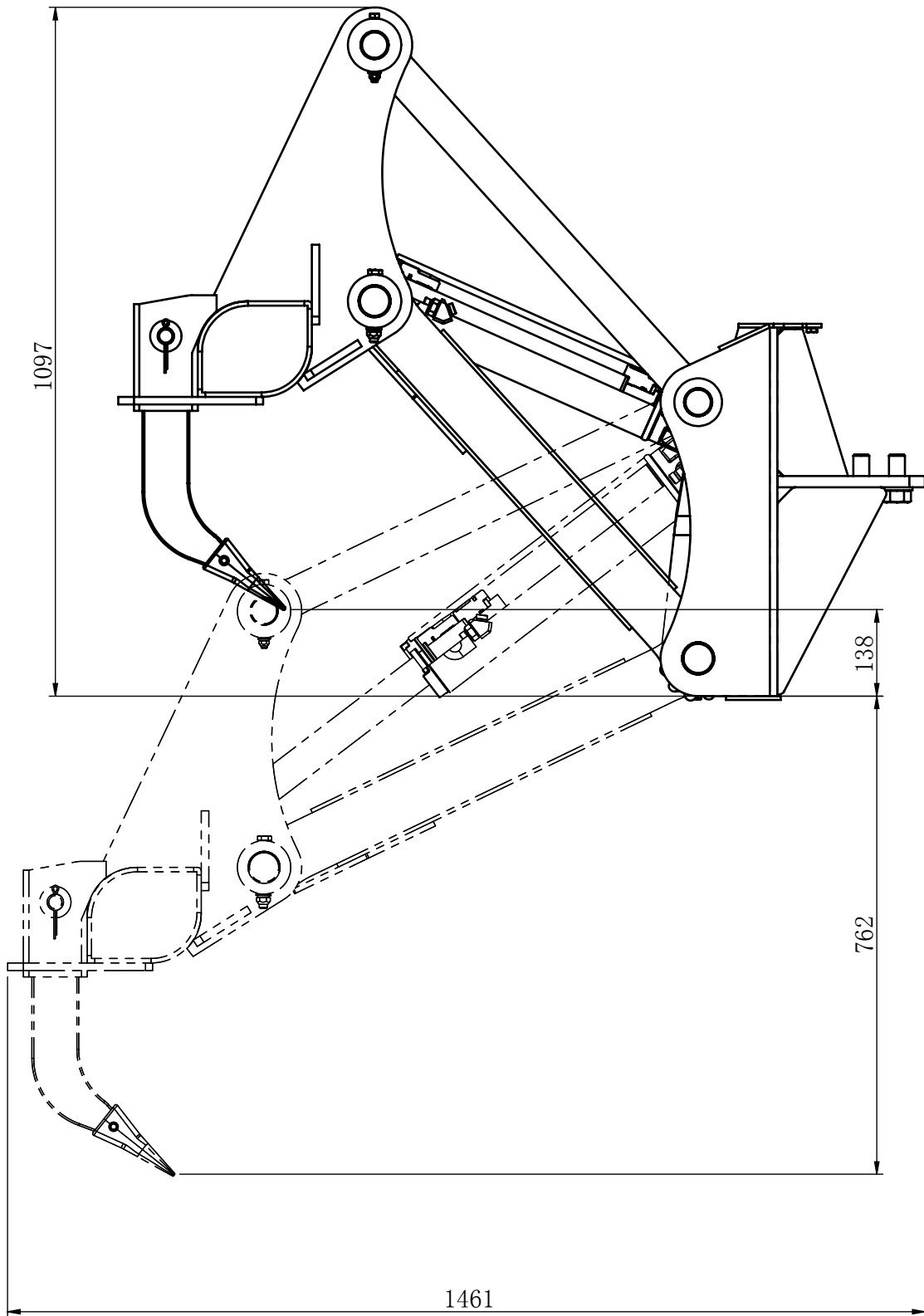
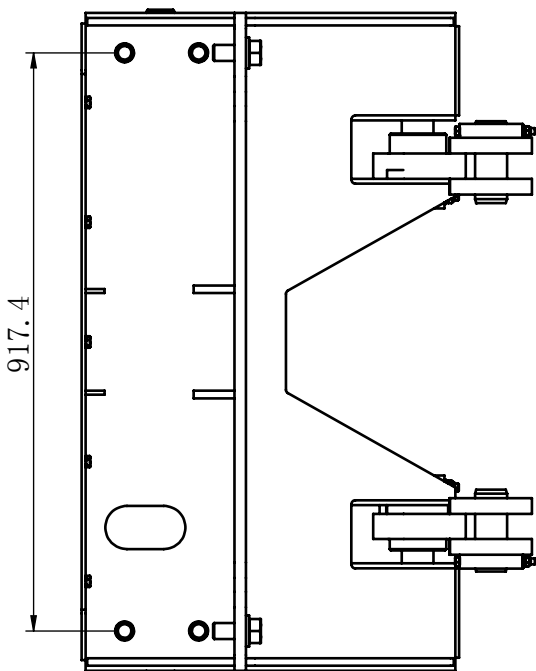
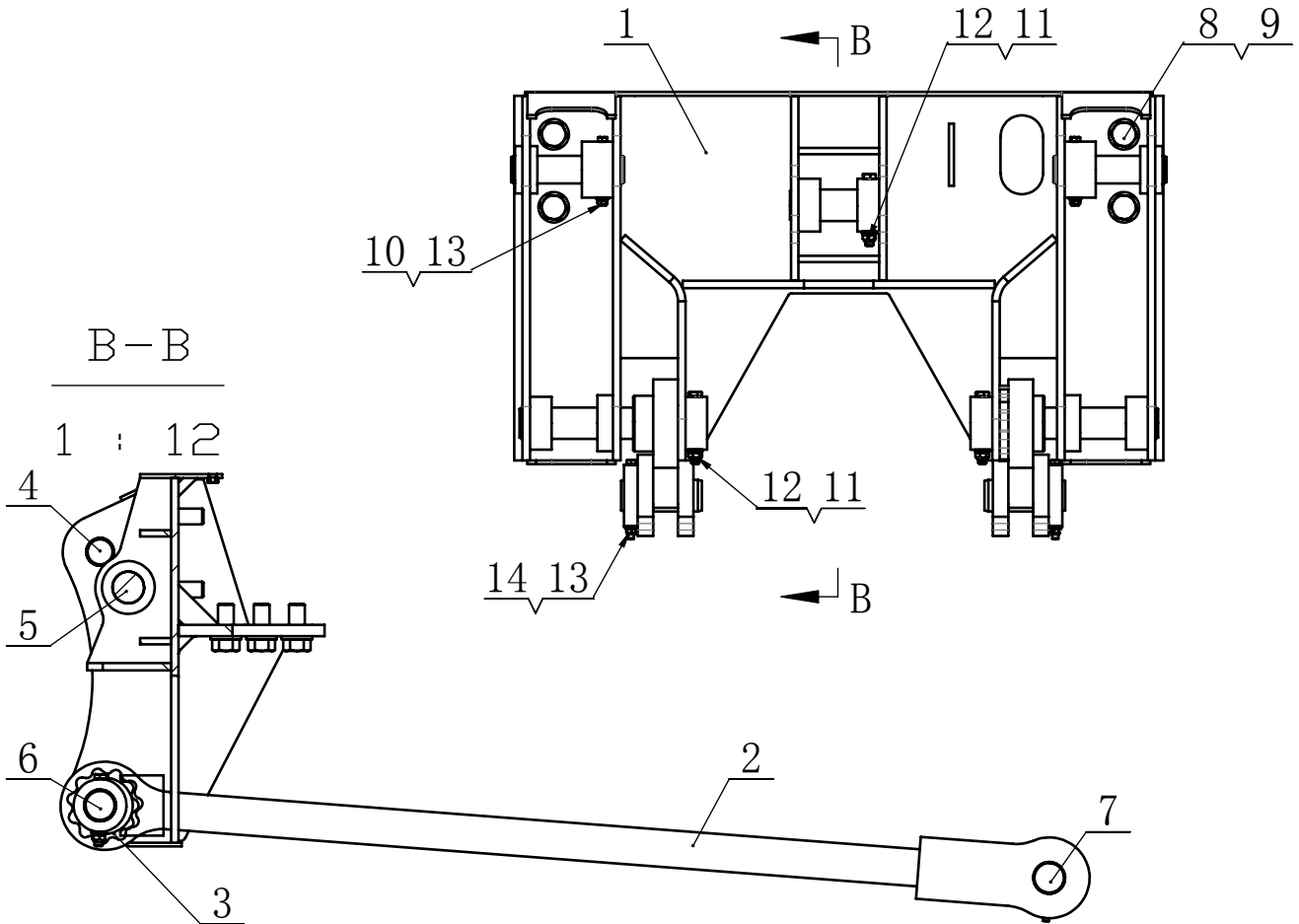


ENTIRE GROUP

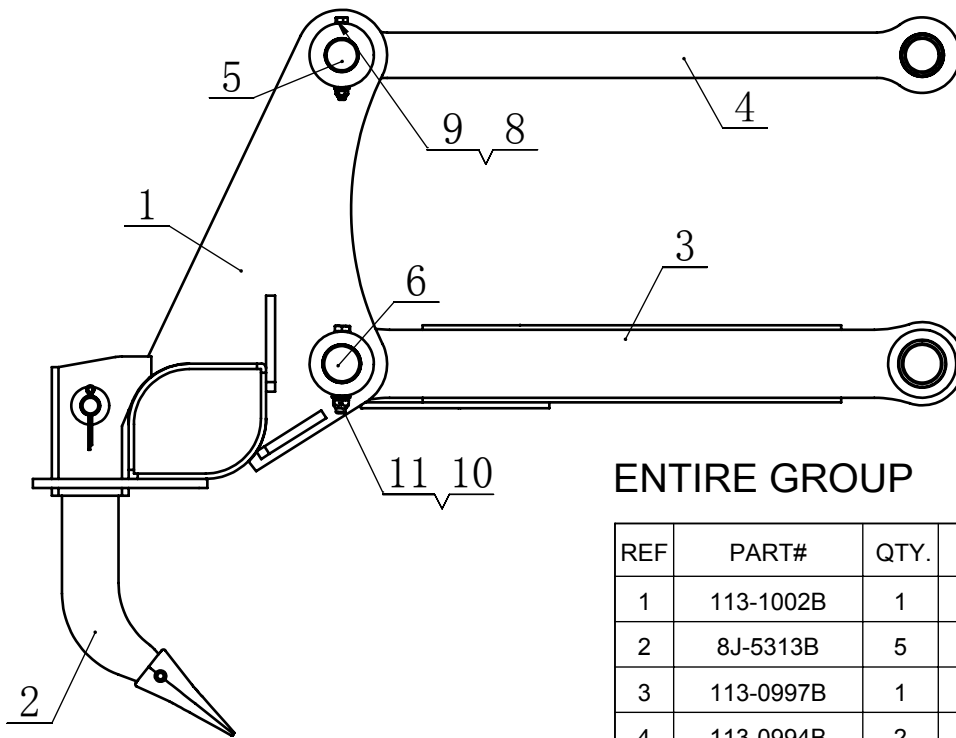
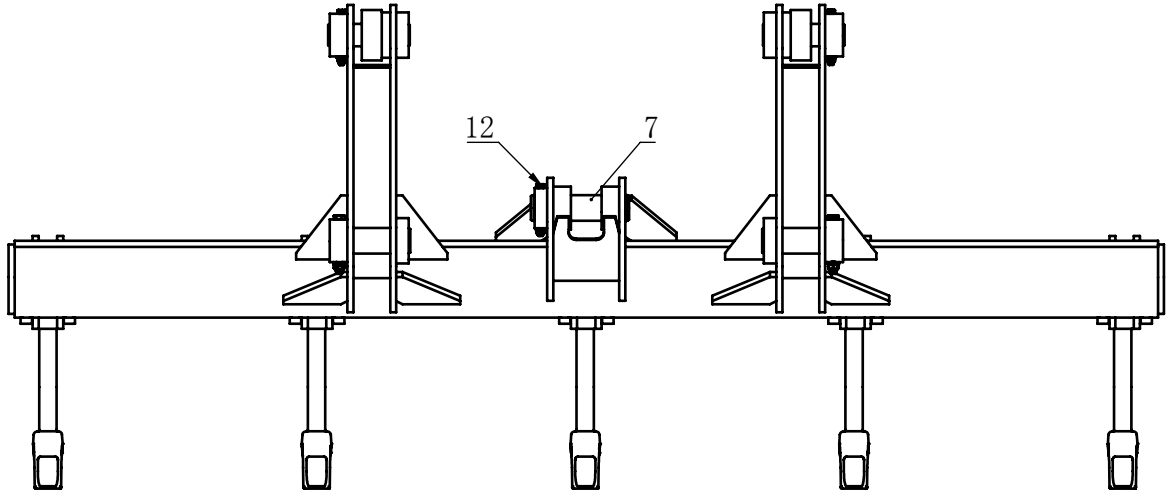
REF	PART#	QTY.	DESC
1	113-1004B	1	CYL GP-LINES &
2	113-1002B	1	MTG GP-RIPPER
3	124-9782B	1	RIPPER GP
4	6E-4724B	1	CYLINDER GP





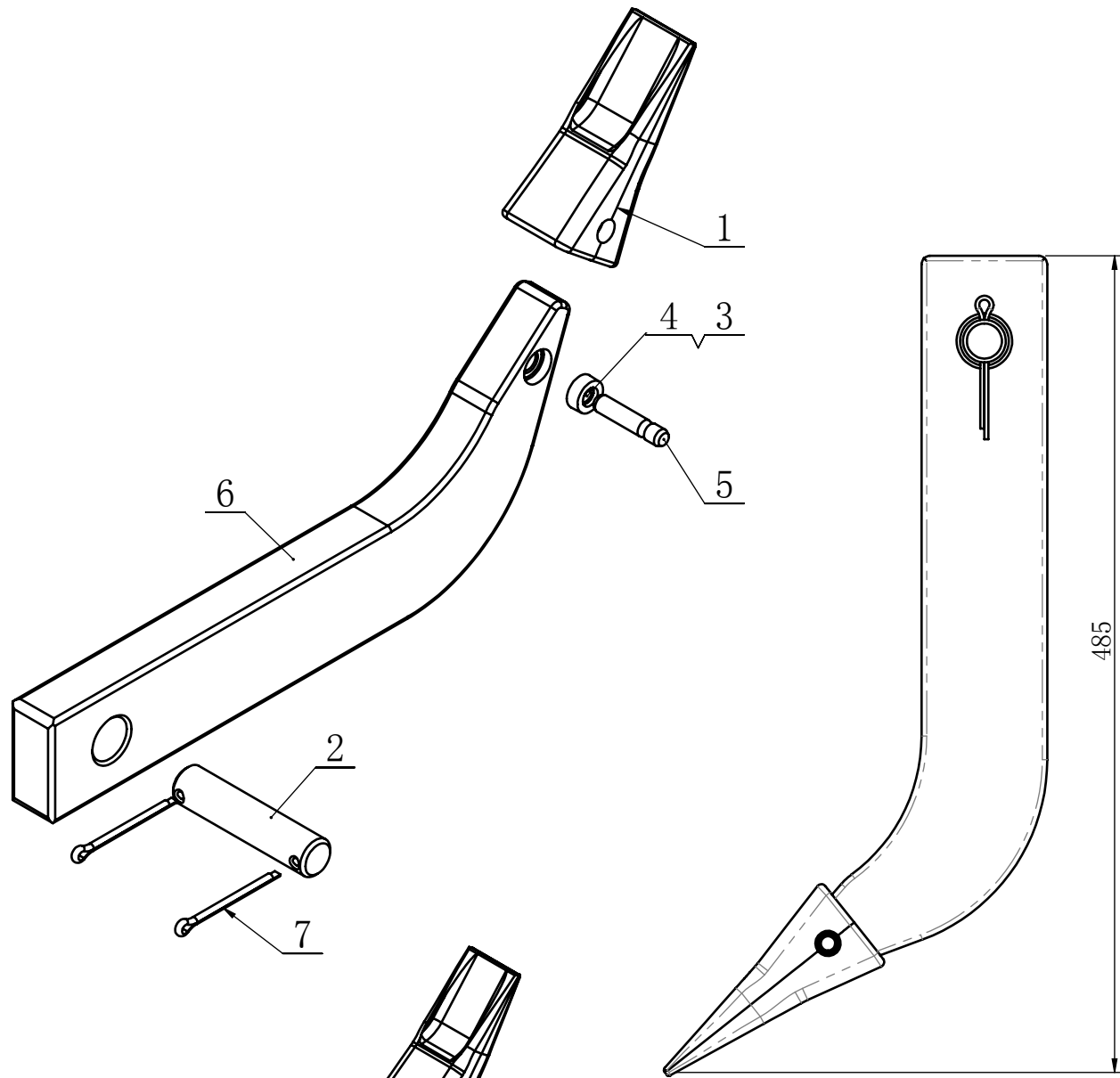
ENTIRE GROUP

REF	PART#	QTY.	DESC
1	113-1004B	1	CYL GP-LINES &
2	113-0995B	2	LINK AS.
3	104-4523B	2	CAM AS.
4	124-6679B	2	PIN
5	113-0993B	1	PIN
6	9J-0090B	2	PIN
7	8J-3326B	2	PIN
8	7X-0403B	10	BOLT
9	8T-5361B	10	WASHER
10	8T-9378B	2	BOLT(3/8)
11	7X-0331B	3	BOLT(1/2)
12	1K-6872B	3	LOCKNUT(1/2)
13	2K-4973B	4	LOCKNUT(3/8)
14	7X-0293B	2	BOLT(3/8)



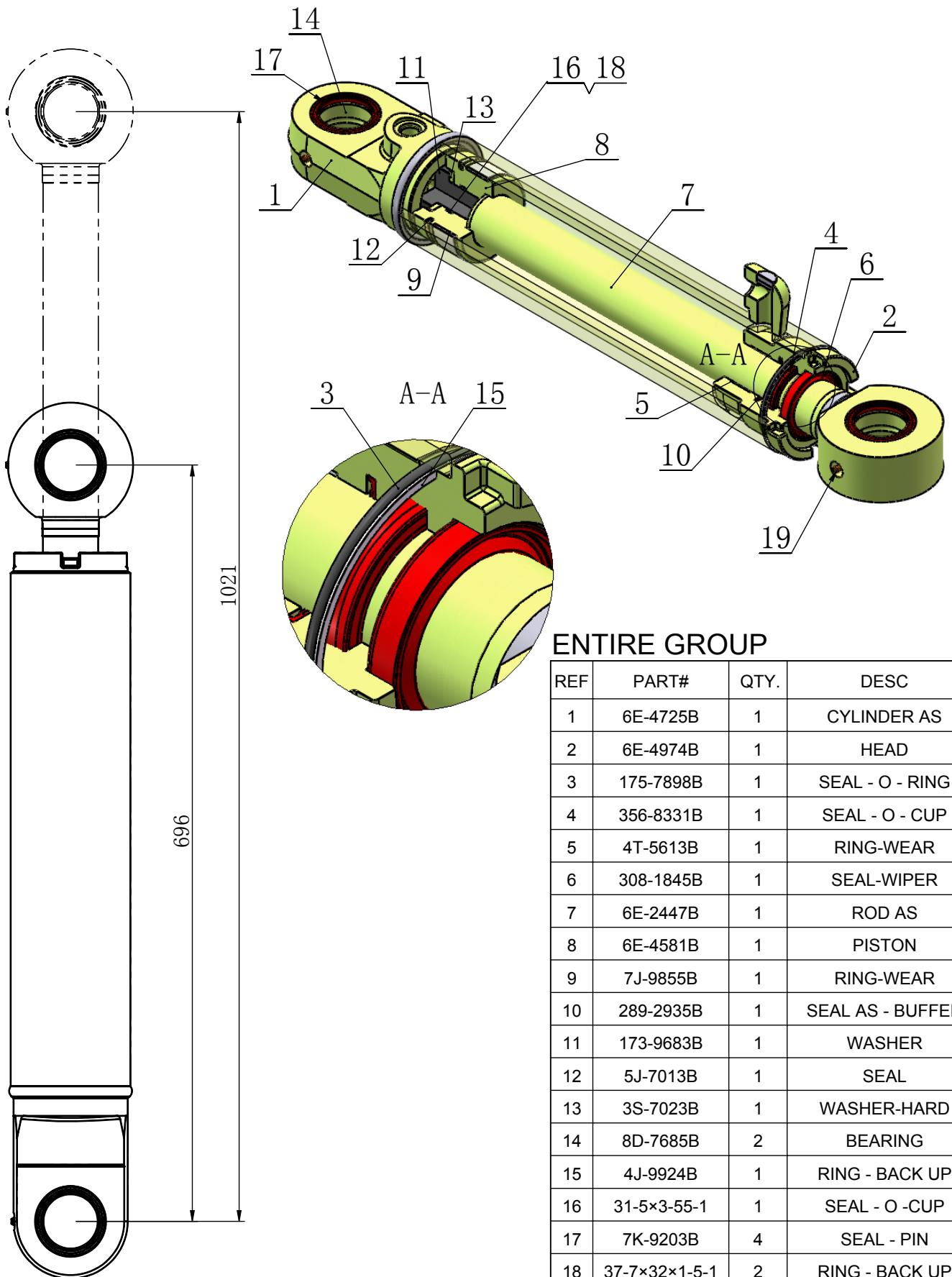
ENTIRE GROUP

REF	PART#	QTY.	DESC
1	113-1002B	1	MTG GP-RIPPER
2	8J-5313B	5	TOOTH GP
3	113-0997B	1	LINK GP-LOWER
4	113-0994B	2	LINK GP-UPPER
5	113-0996B	2	PIN
6	109-6776B	2	PIN
7	3G-0471B	1	PIN
8	2K-4973B	3	LOCKNUT(3/8)
9	8T-9378B	2	BOLT(3/8)
10	7X-0331B	2	BOLT(1/2)
11	1K-6872B	2	LOCKNUT(1/2)
12	7X-0291B	1	BOLT(3/8)



ENTIRE GROUP

REF	PART#	QTY.	DESC
1	1U-4429B	1	TIP-LONG
2	6B-5464B	1	PIN
3	8E-6206B	1	HOLDER-RETAINER
4	8E-6207B	1	RETAINER - G.E.T
5	8E-6208B	1	PIN - G.E.T
6	8J-5299B	1	SHANK
7	3B-4632B	2	COTTER



ENTIRE GROUP

REF	PART#	QTY.	DESC
1	6E-4725B	1	CYLINDER AS
2	6E-4974B	1	HEAD
3	175-7898B	1	SEAL - O - RING
4	356-8331B	1	SEAL - O - CUP
5	4T-5613B	1	RING-WEAR
6	308-1845B	1	SEAL-WIPER
7	6E-2447B	1	ROD AS
8	6E-4581B	1	PISTON
9	7J-9855B	1	RING-WEAR
10	289-2935B	1	SEAL AS - BUFFER
11	173-9683B	1	WASHER
12	5J-7013B	1	SEAL
13	3S-7023B	1	WASHER-HARD
14	8D-7685B	2	BEARING
15	4J-9924B	1	RING - BACK UP
16	31-5×3-55-1	1	SEAL - O - CUP
17	7K-9203B	4	SEAL - PIN
18	37-7×32×1-5-1	2	RING - BACK UP
19	3B-8489B	2	ADAPTER - STR