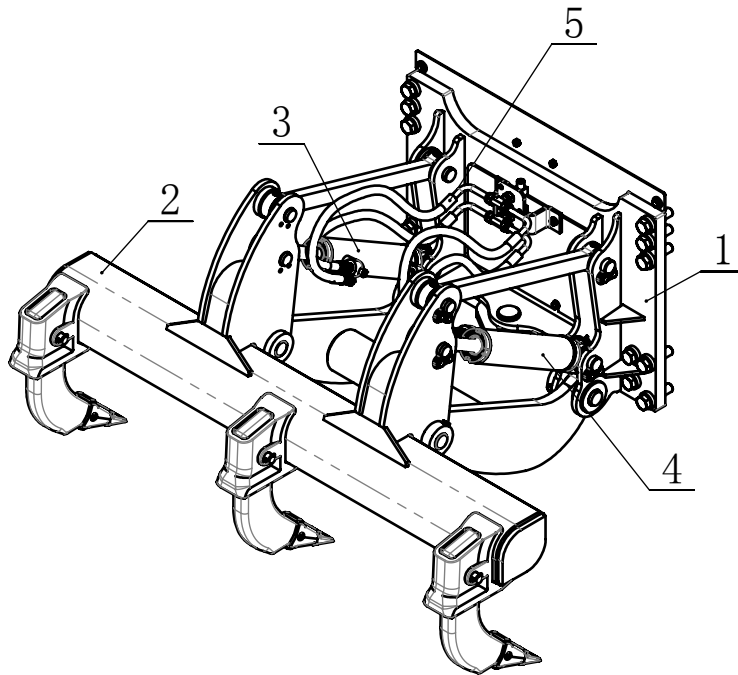
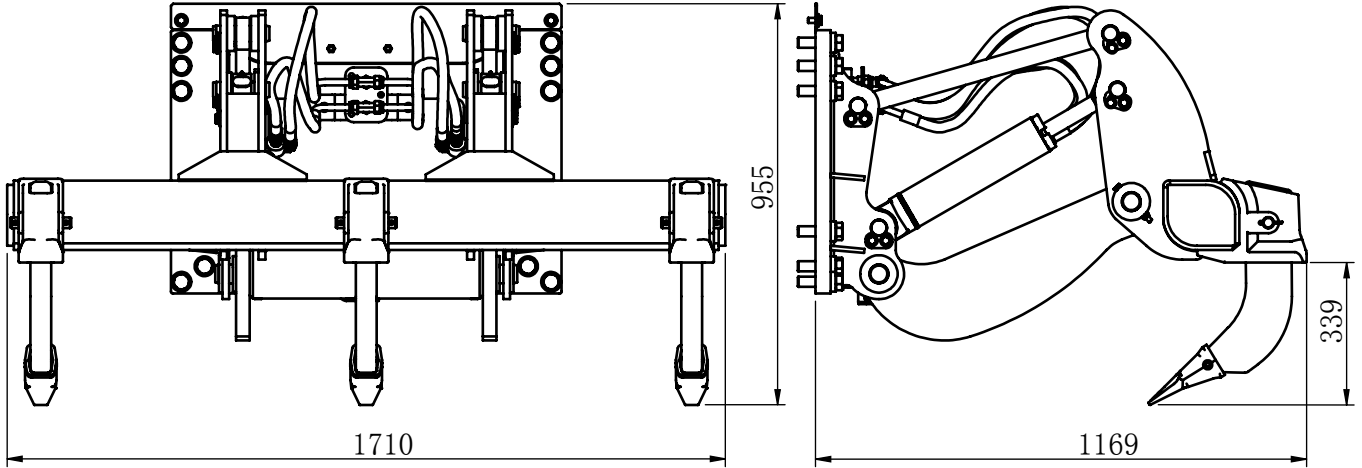


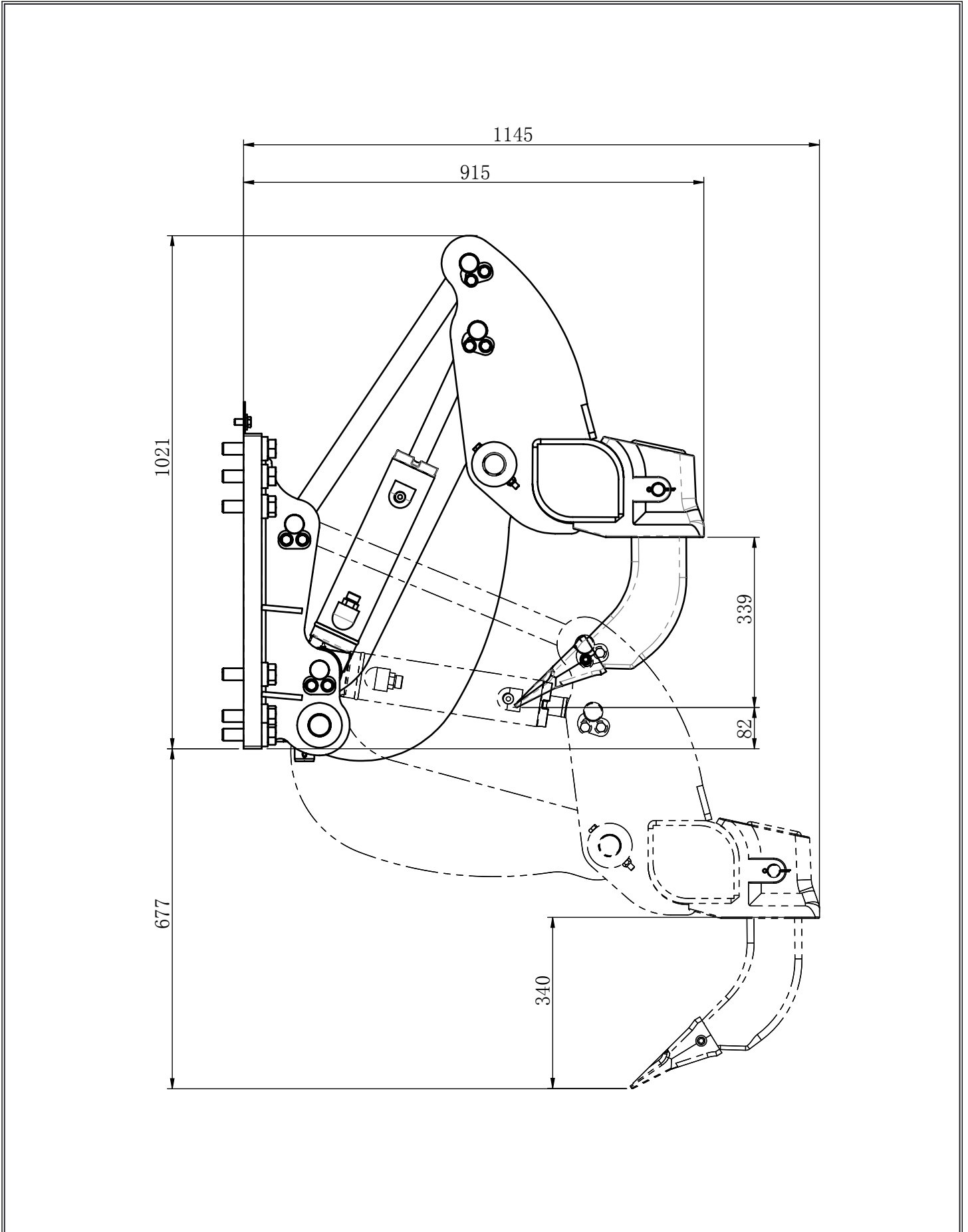
262-4407B RIPPER AR



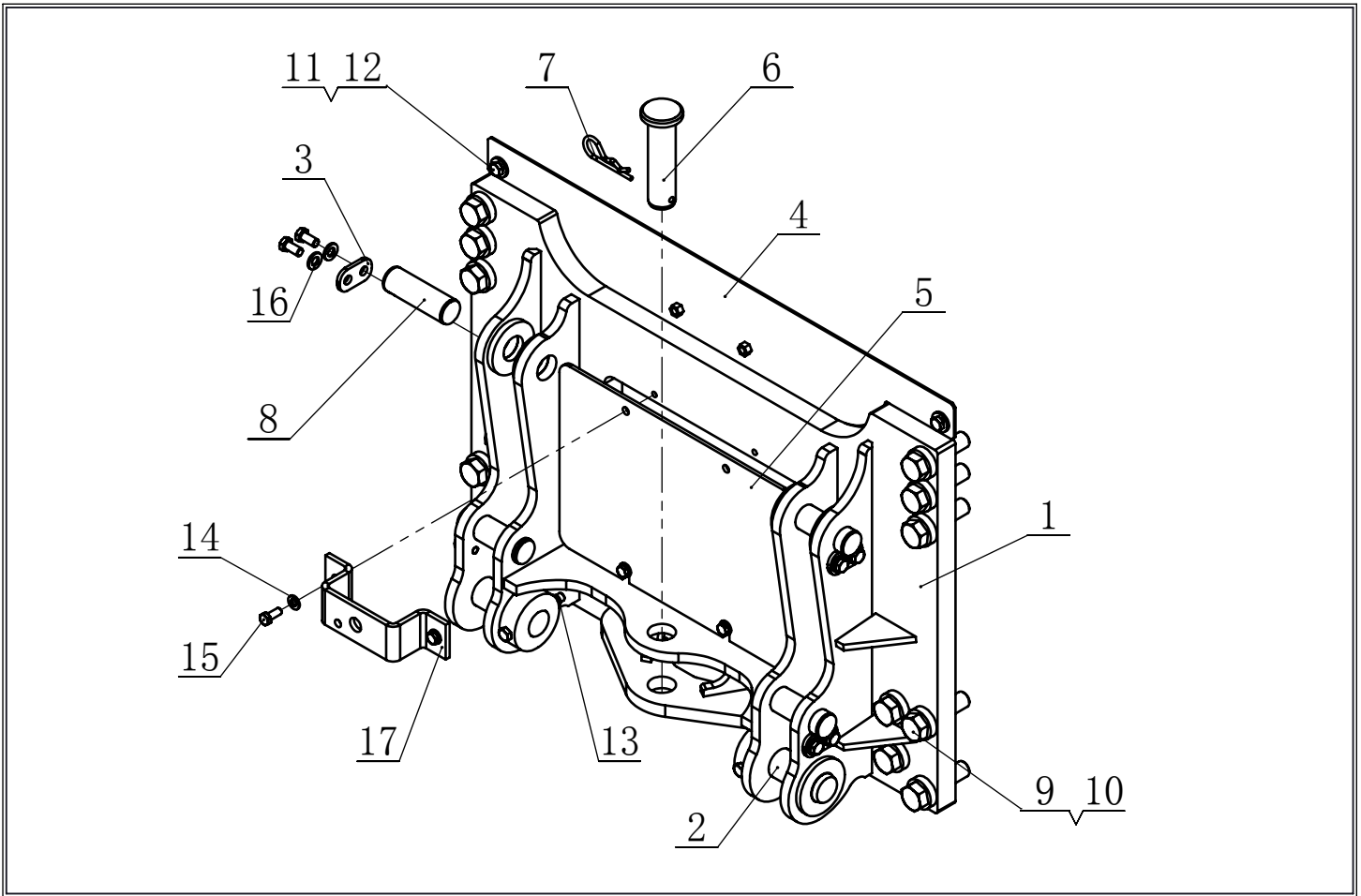
ENTIRE GROUP

REF	PART#	QTY.	DESC
1	258-4961B	1	MTG GP-RIPPER
2	262-4408B	1	RIPPER GP-A
3	262-4418B	1	CYLINDER GP-RIPPER-LH
4	262-4415B	1	CYLINDER GP-RIPPER-RH
5	263-3323B	1	LINES GP-RIP-A

262-4407B RIPPER AR



258-4961B MTG GP-RIPPER

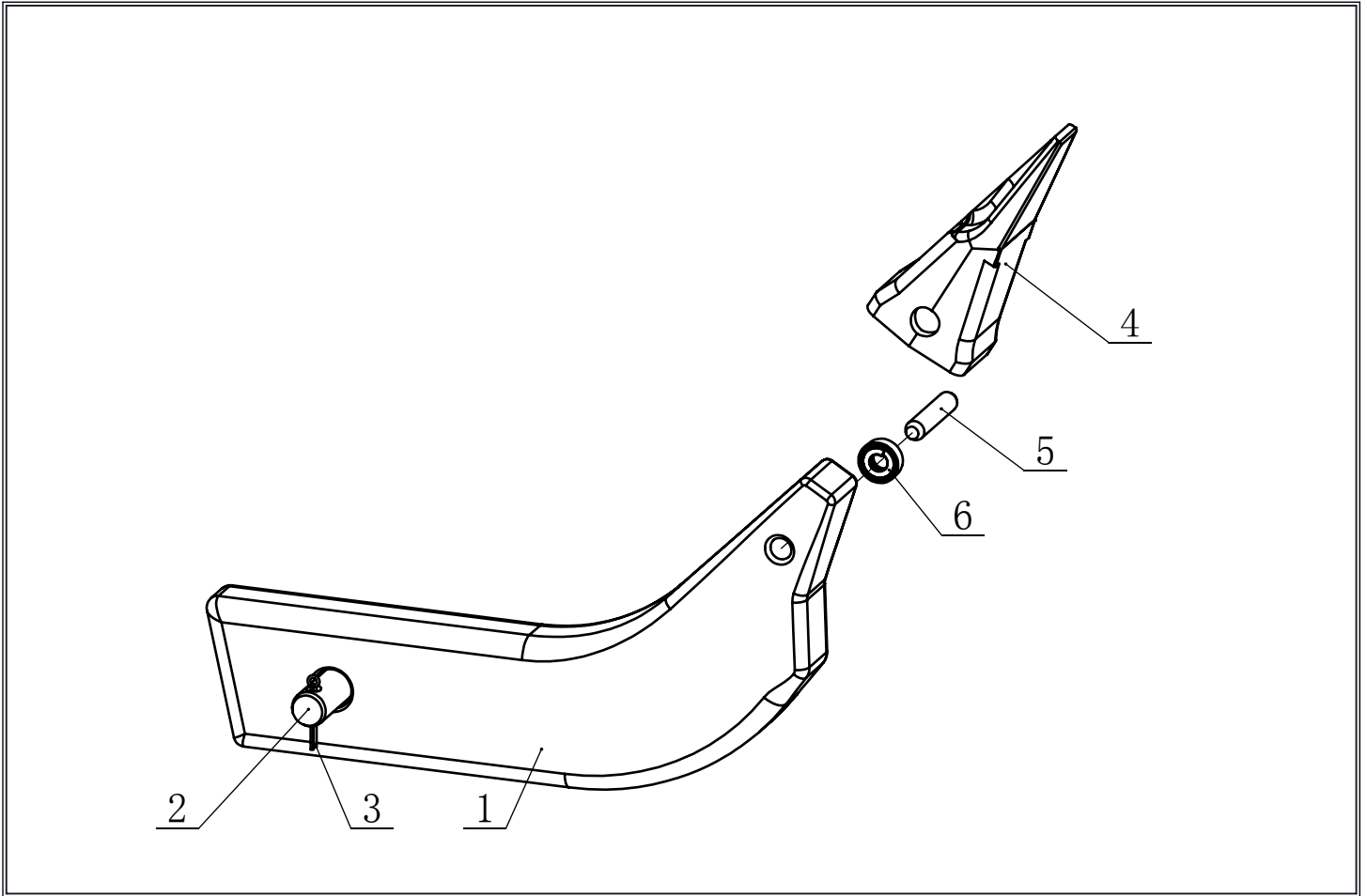


ENTIRE GROUP

REF	PART#	QTY.	DESC
1	258-4962B	1	PLATE AS.
2	7P-2358B	2	PIN
3	170-6631B	4	BAR
4	254-8859B	1	PLATE AS
5	258-4971B	1	PLATE
6	397-0237B	1	PIN
7	5P-8837B	1	PIN-LOCK
8	397-0241B	4	PIN
9	7X-2577B	14	BOLT-HEX HEAD MJ24×3

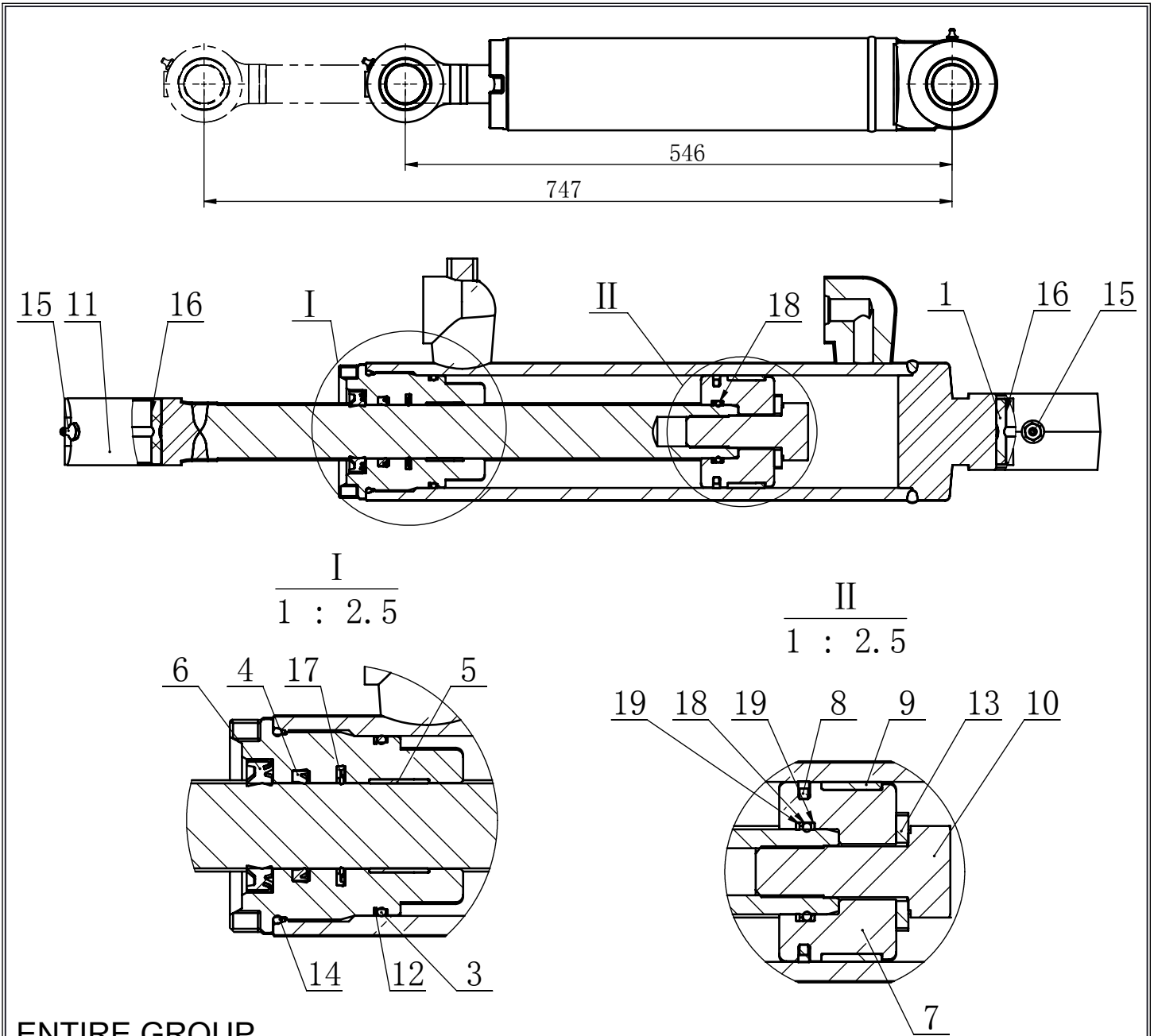
REF	PART#	QTY.	DESC
10	198-4782B	14	WASHER-HARD
11	5P-1076B	2	WASHER-HARD
12	8T-4192B	10	BOLT-HEX HEAD M12×1.75
13	6V-7687B	2	LOCKNUT M12×1.75
14	8T-4121B	4	WASHER-HARD
15	8T-4136B	4	BOLT
16	8T-4223B	8	WASHER-HARD
17	D5K-04-03	1	PLATE
18	7X-2550B	2	BOLT-HEX HEAD M12×1.75

9J-1137B TOOTH GP



ENTIRE GROUP

REF	PART#	QTY.	DESC
1	1U-1257B	1	SHANK-RIPPER
2	3G-6049B	1	PIN-G.E.T.
3	3B-4630B	2	COTTER
4	9J-4259B	1	TIP-PENTRATION
5	132-4763B	1	PIN-GET
6	149-5733B	1	RETAINER AS

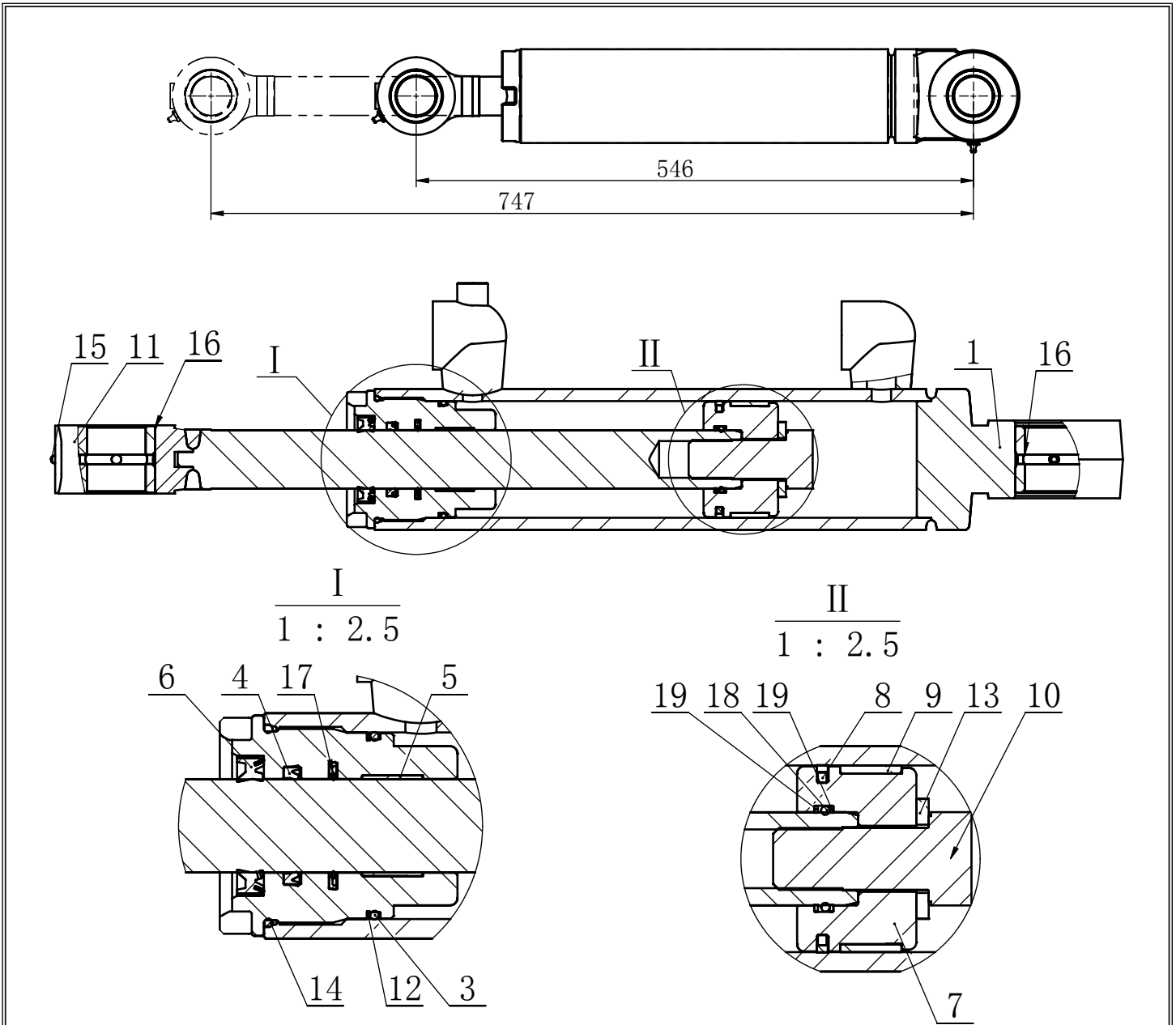


ENTIRE GROUP

REF	PART#	QTY.	DESC
1	262-9253B - jia	1	CYLINDER AS.
2	191-6159B	1	HEAD
3	5H-8848B	1	SEAL-O-RING
4	167-2294B	1	SEAL-U-CUP
5	4T-6780B	1	RING
6	226-8202B	1	SEAL-WIPER
7	8J-0553B	1	PISTON
8	6J-1972B	1	SEAL AS.
9	6J-5733B	1	RING
10	7J-5639B	1	BOLT-SELF LOCKING

REF	PART#	QTY.	DESC
11	193-1546B	1	ROD ASSEMBLY
12	6J-5731B	1	RING
13	5P-8250B	1	WASHER-HARD
14	1H-7339B	1	SEAL-O-RING
15	3B-8489B	2	FITTING
16	7K-6365B	2	BEARING-SLEEVE
17	167-2186B	1	SEAL AS.-BUFFER
18	Φ43Φ36Φ3.5	1	SEAL-O-RING
19	Φ43Φ37.6T1.5	2	RING

262-4418B CYLINDER GP-RIPPER-LH



ENTIRE GROUP

REF	PART#	QTY.	DESC
1	262-9253B	1	CYLINDER AS.
2	191-6159B	1	HEAD
3	5H-8848B	1	SEAL-O-RING
4	167-2294B	1	SEAL-U-CUP
5	4T-6780B	1	RING
6	226-8202B	1	SEAL-WIPER
7	8J-0553B	1	PISTON
8	6J-1972B	1	SEAL AS.
9	6J-5733B	1	RING
10	7J-5639B	1	BOLT-SELF LOCKING

REF	PART#	QTY.	DESC
11	193-1546B	1	ROD ASSEMBLY
12	6J-5731B	1	RING
13	5P-8250B	1	WASHER-HARD
14	1H-7339B	1	SEAL-O-RING
15	3B-8489B	2	FITTING
16	7K-6365B	2	BEARING-SLEEVE
17	167-2186B	1	SEAL AS.-BUFFER
18	Φ43Φ36Φ3.5	1	SEAL-O-RING
19	Φ43Φ37.6T1.5	2	RING