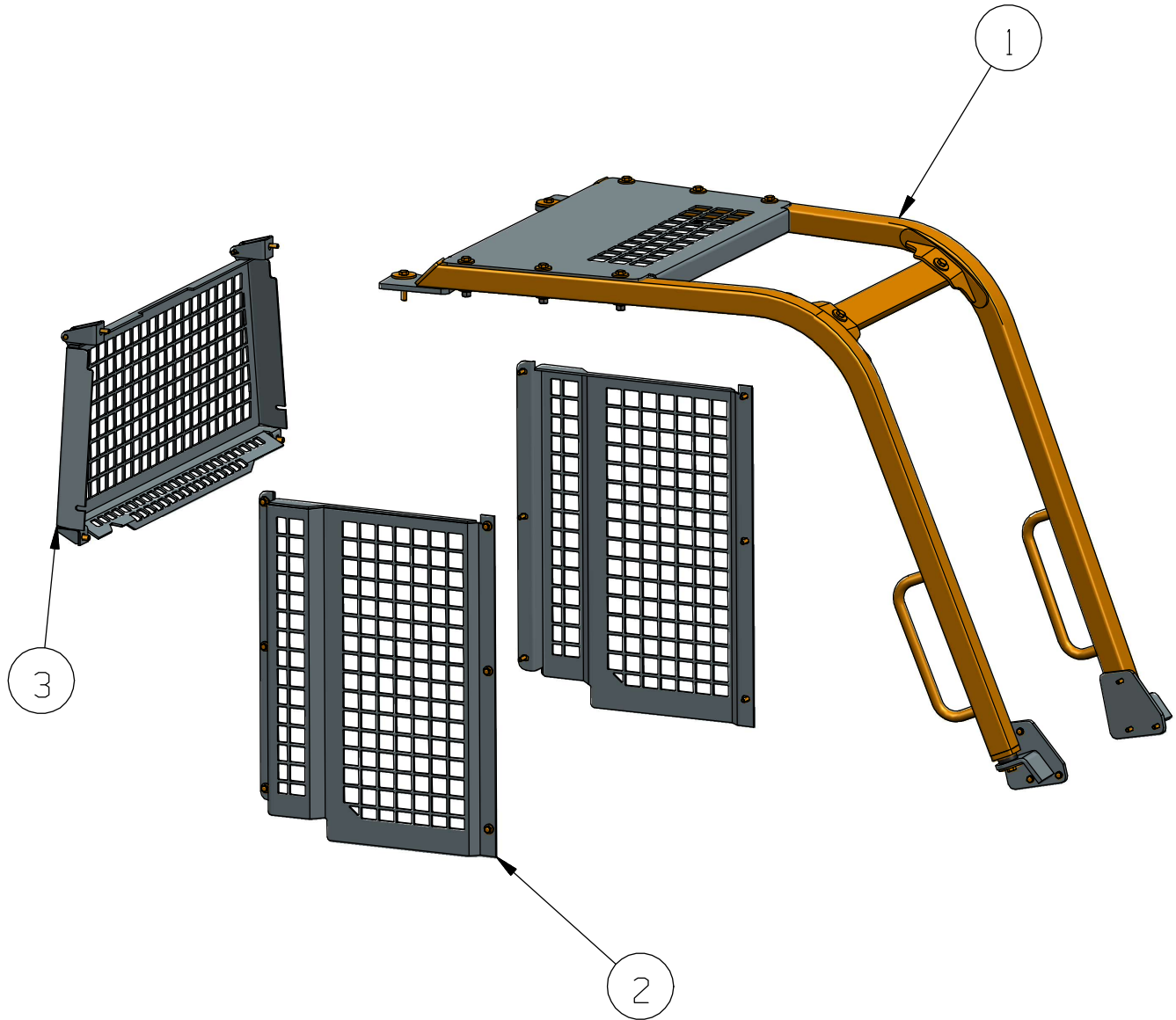
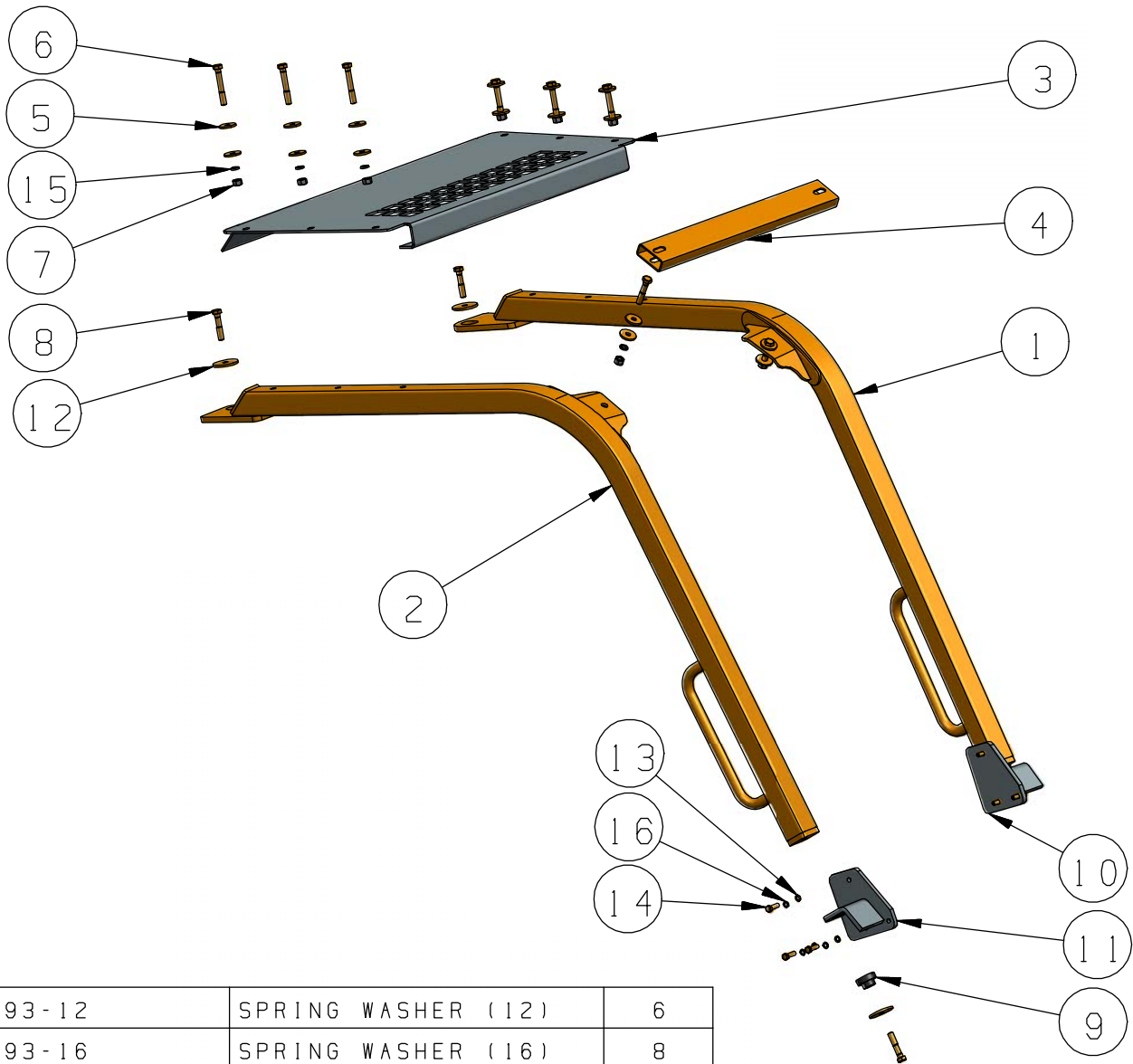


PROTECTION SYS-(D5G)



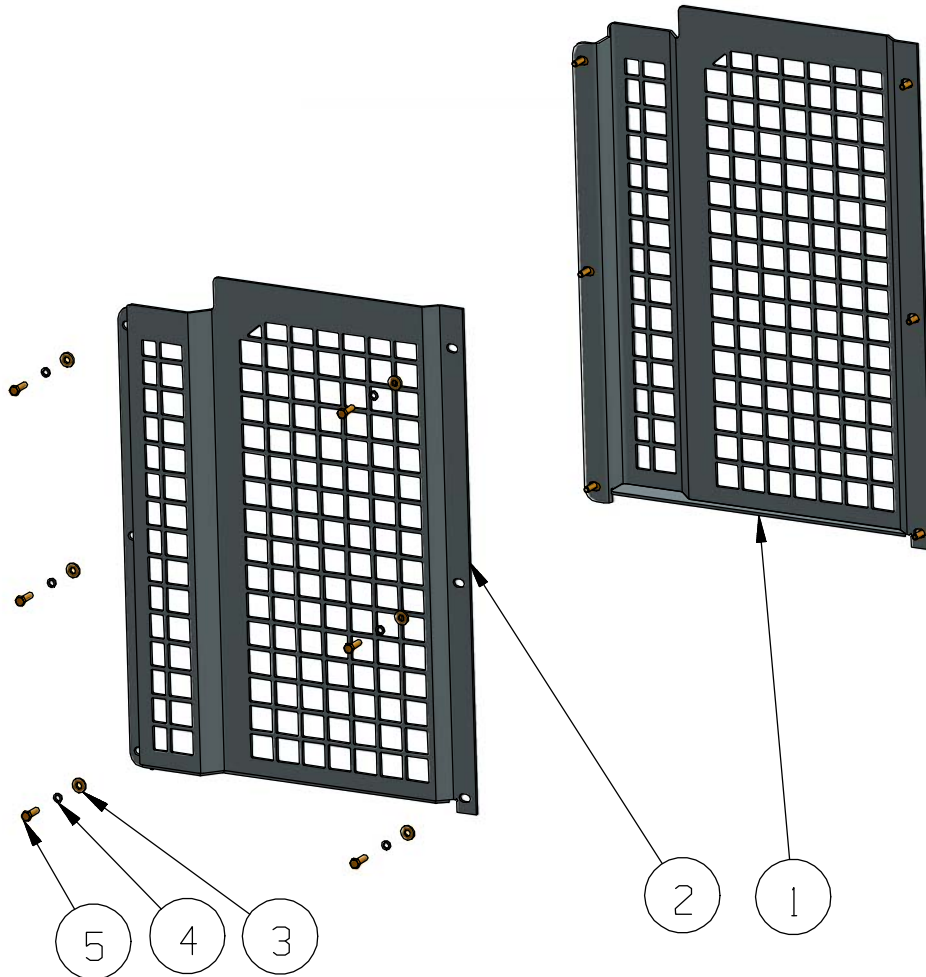
3	D5G-B3000	REAR SCREEN GP	1
2	D5G-B2000	SCREEN GP (L/R)	1
1	D5G-B1000	LIMB RISER GP	1
PC NO	PART NAME	PART NAME	QTY

LIMB RISER GP D5G-B1000-(D5G)



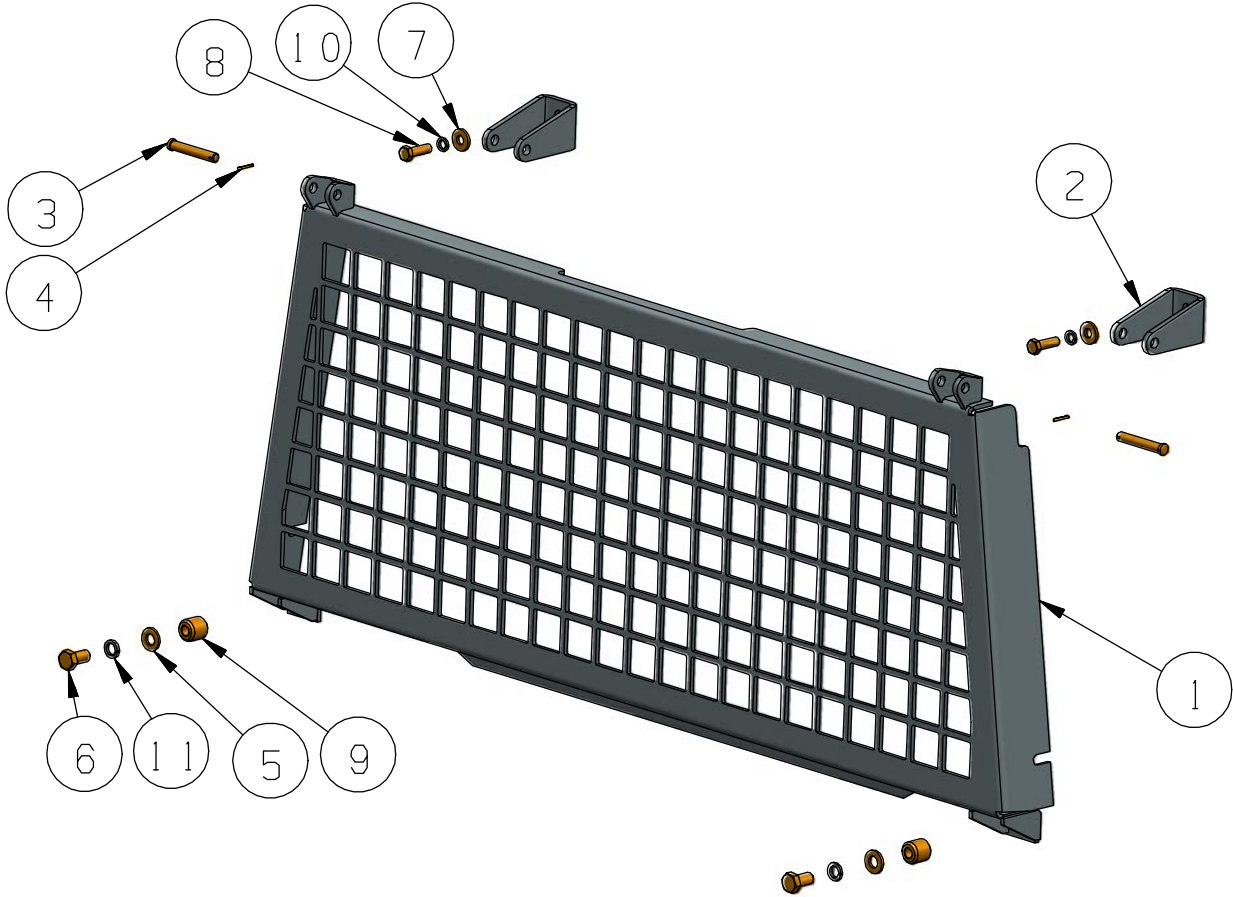
16	B93-12	SPRING WASHER (12)	6
15	B93-16	SPRING WASHER (16)	8
14	8T-4183B	BOLT (M12x1.75x40)	6
13	7X-0599B	WASHER (12)	6
12	5V-0500B	WASHER (16.5x75x6)	4
11	D5G-B1010	BRACKET AS.-RH	1
10	D5G-B1009	BRACKET AS.-LH	1
9	B263-6689	RUBBER BUSH	2
8	7X-2555B	BOLT (M16x2x80)	6
7	B6170F-16	NUT(M16)	8
6	8T-4173B	BOLT (M16x2x110)	6
5	3V-9244B	BIG WASHER (16)	16
4	D5G-B1002	TUBE	1
3	D5G-B1004	BACK PLATE	1
2	D5G-B1001R	LIMB RESER AS.-RH	1
1	D5G-B1001L	LIMB RISER AS.-LH	1
PC NO	PART NAME	PART NAME	QTY

**SCREEN 6P (L/R)
D5G-B2000-(D5G)**



5	8T-4183B	BOLT (M12x40)	12
4	B93-87	SPRING WASHER (12)	12
3	5P-1076B	WASHER (12)	12
2	D5G-B2001R	SCREEN-RIGHT	1
1	D5G-B2001L	SCREEN-LEFT	1
PC NO	PART NAME	PART NAME	QTY

**REAR SCREEN GP
D5G-B3000-(D5G)**



11	B93-16	SPRING WASHER (16)	2
10	B93-12	SPRING WASHER (12)	2
9	D5G-B3005	BOSS (M16x30)	2
8	8T-4183B	BOLT (M12x40)	2
7	5P-1076B	WASHER (12)	2
6	7X-2552B	BOLT (M16x30)	2
5	8T-4122B	WASHER (16)	2
4	3B-4615B	COTTER PIN (3.2x20)	2
3	6S-9277B	PIN - AXIS	2
2	D5G-B3003	CLEVIS BRACKET	2
1	D5G-B3001	REAR SCREEN AS.	1
PC NO	PART NAME	PART NAME	QTY