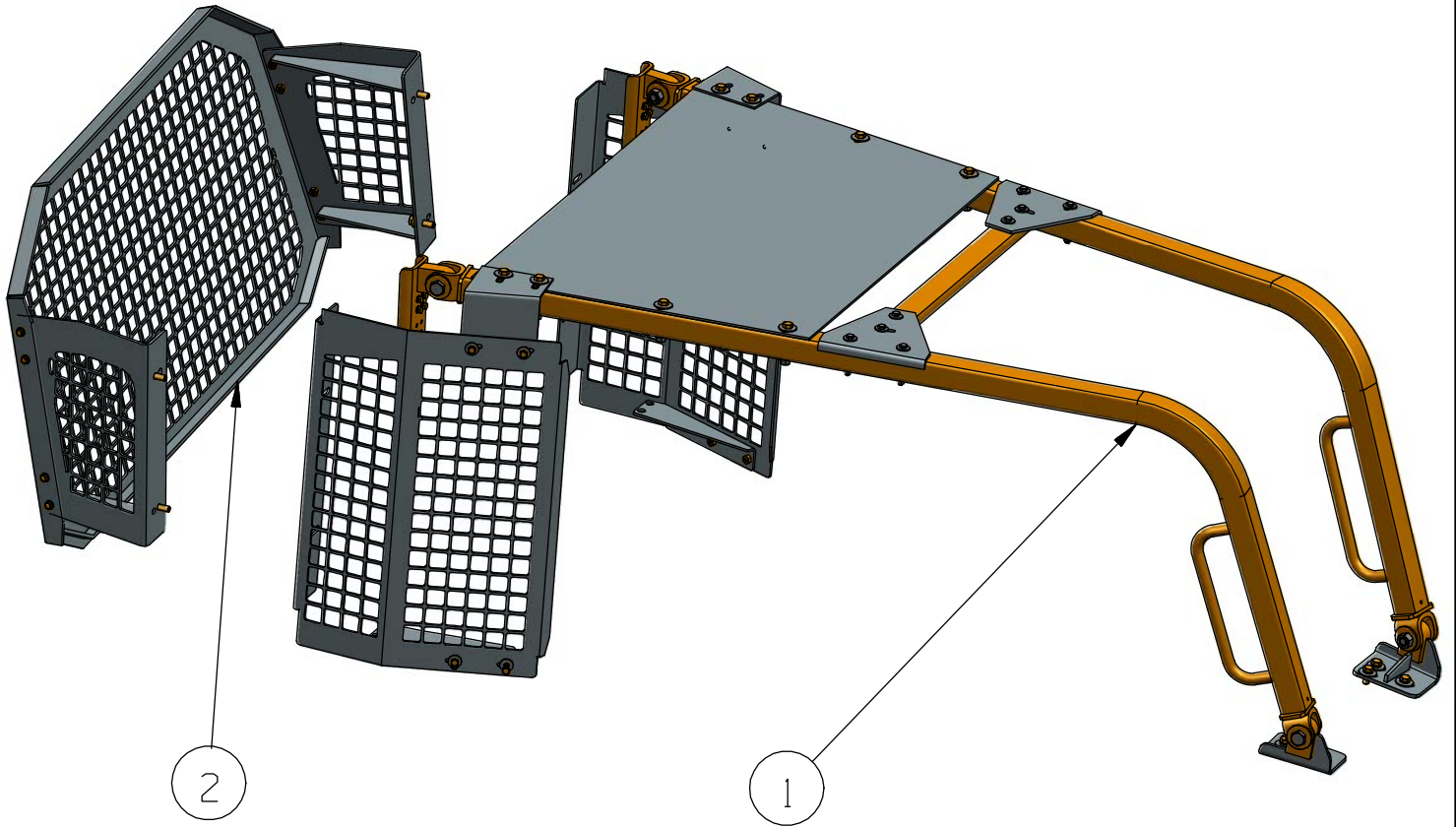
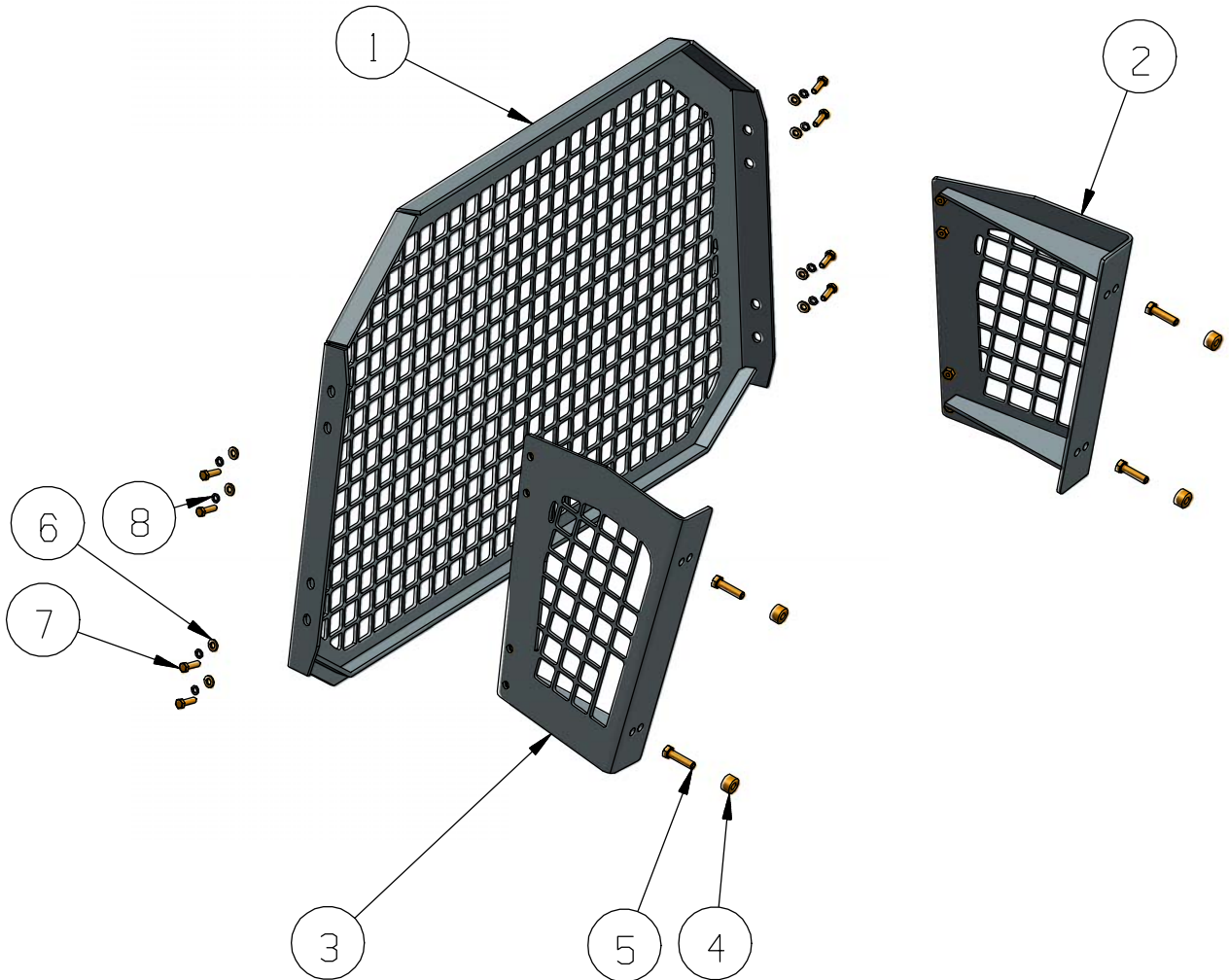


PROTECTION SYS-D6N



2	167-1466B	SCREEN GP- (D5N;D6N;D6N-B)	1
1	B225-1271	SWEEP GP- (D6N)	1
PC NO	PART NO.	PART NAME	QTY

SCREEN GP - (D5N, D6N; D6N-B) 167-1466B



8	B93-12	SPRING WASHER 12	8
7	8T-4183B	BOLT (M12x40)	8
6	8T-4223B	WASHER (12)	8
5	8T-4140B	BOLT (M16x60)	4
4	8G-5258B	SPACER (17x35x20)	4
3	195-8422B	BRAKET -RH	1
2	195-8421B	BRAKET -LH	1
1	195-8430B	SCREEN AS.	1
PC NO	PART NO.	PART NAME	QTY