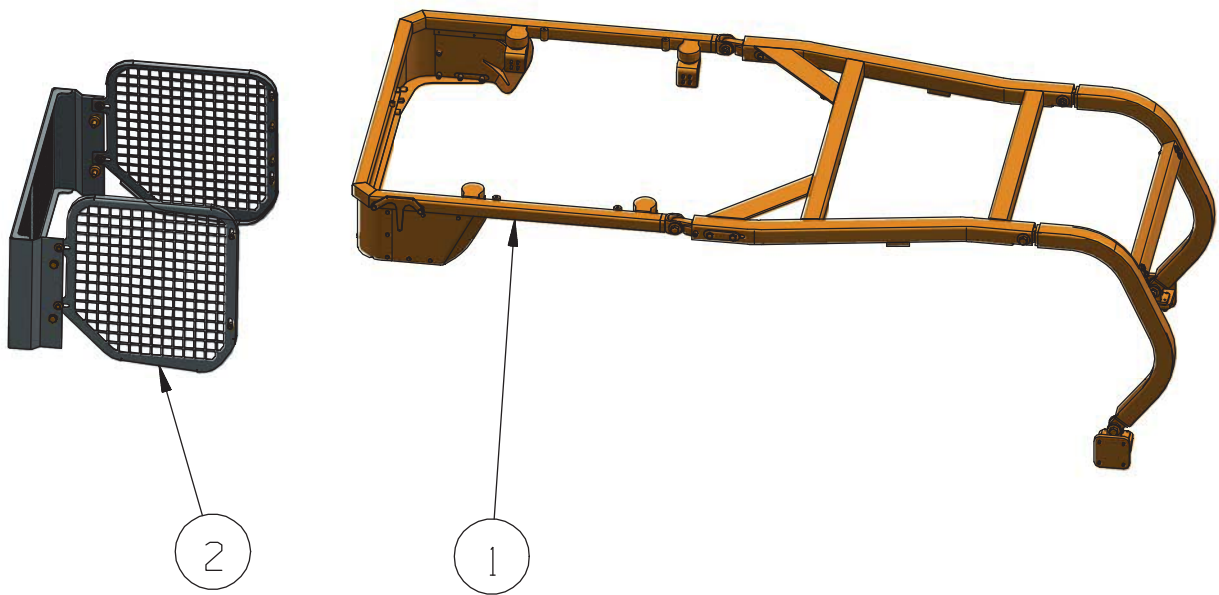
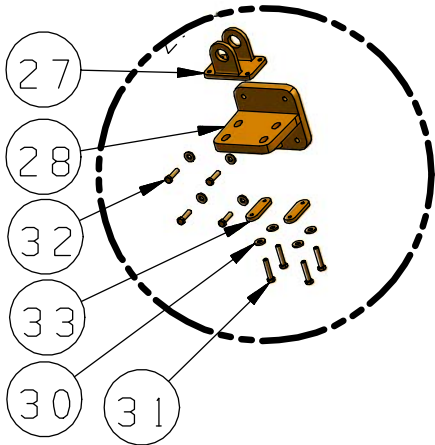
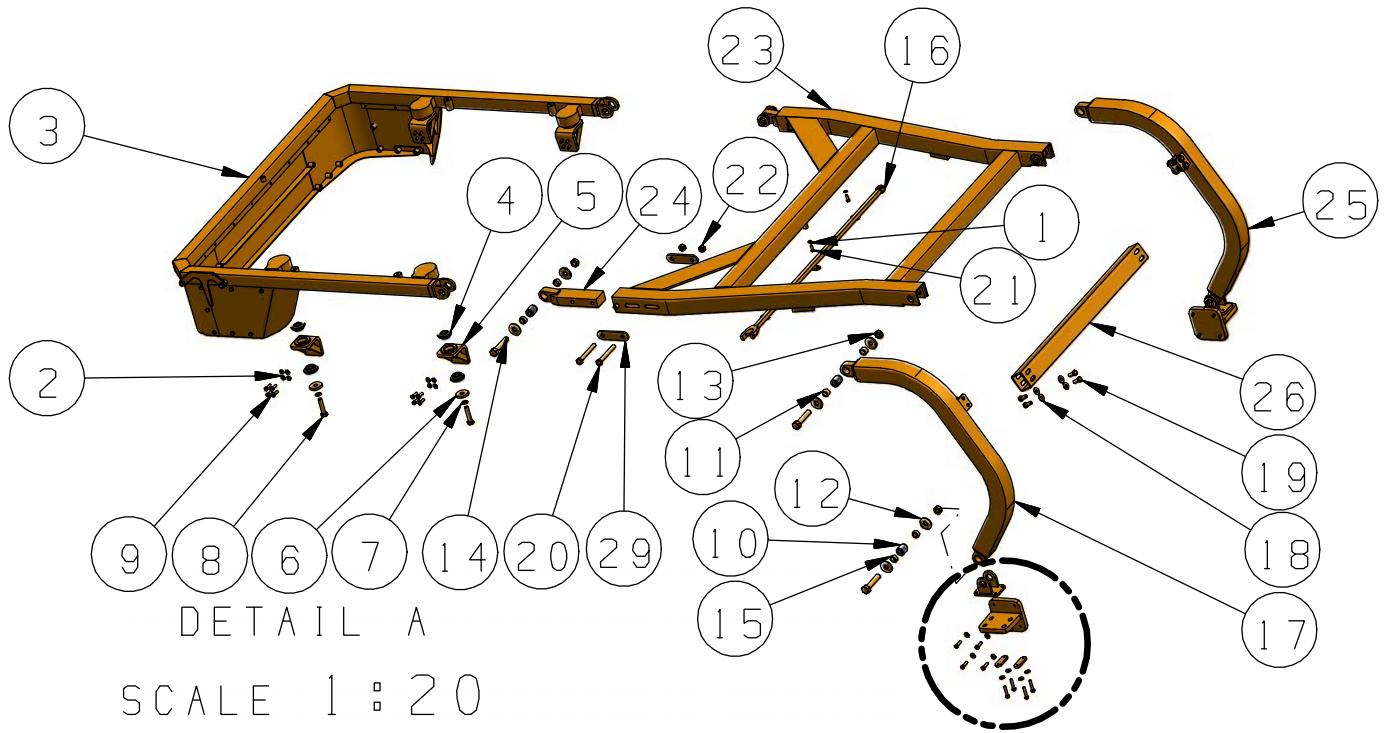


# PROTECTION SYS-D7E



2	B304-8640	SCREEN GP	1
1	261-3034B	SWEEP GP	1
PC NO	PART NO.	PART NAME	QTY

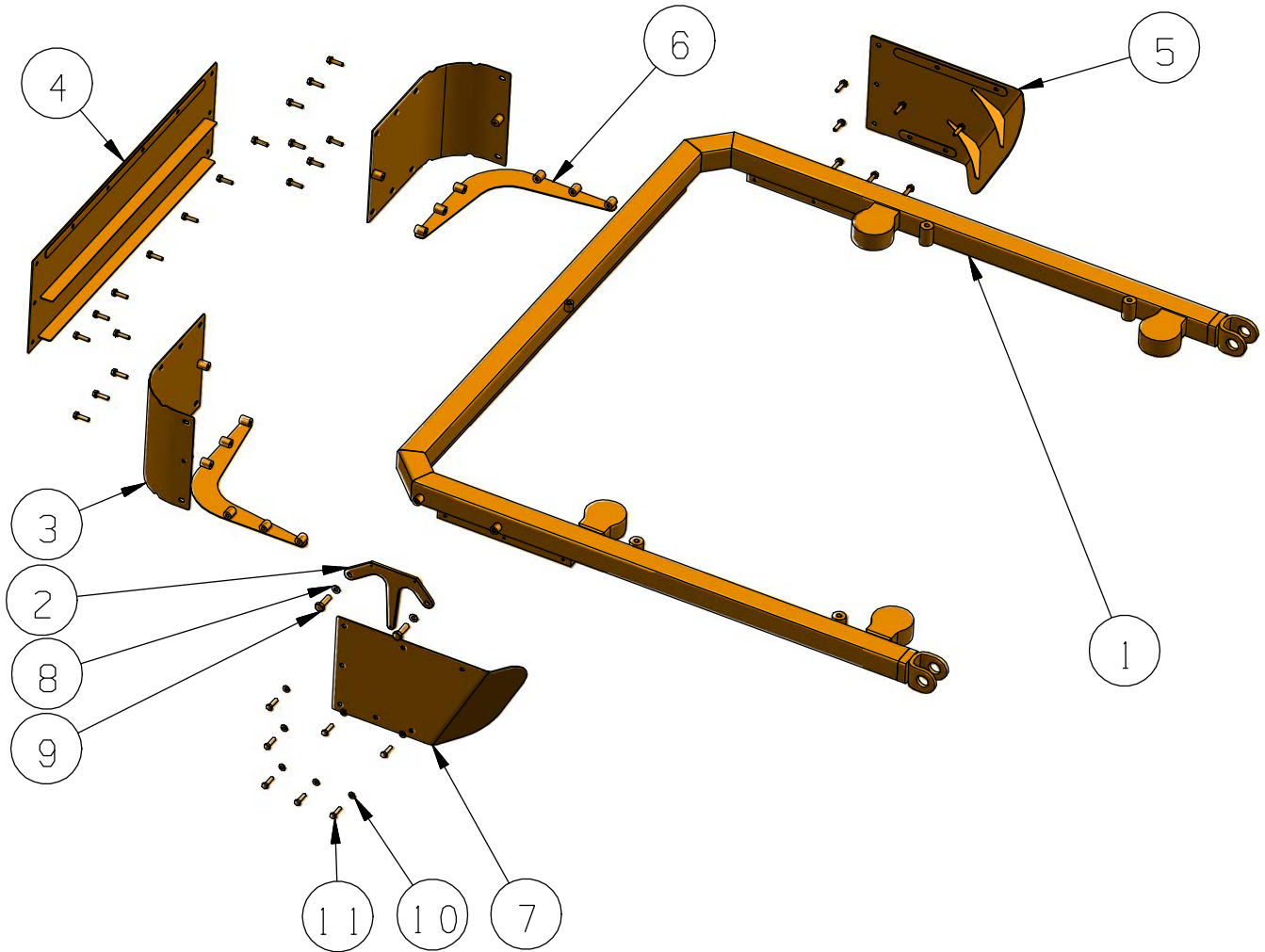
**SWEEP GP-D7E**  
**261-3034B**



23	337-7603B	GUARD AS.	1
22	8T-4131B	NUT (M20)	4
21	8T-4195B	BOLT (M10x30)	3
20	7X-2488B	BOLT (M20x160)	4
19	7X-2553B	BOLT (M16x40)	8
18	090-8865B	WASHER (16)	8
17	B337-7600R	TUBE AS. -RH	1
16	327-4650B	BRACE AS.	1
15	B325-7926-2	BUSH (28x38x18)	8
14	8C-8844B	BOLT (1-8UNCx127)	6
13	6K-3632B	LOCKNUT 1-8UNC	6
12	B329-9650	PLATE (26x70x6)	12
11	B325-7926-1	BUSH (28x38x24)	4
10	B9S-5187	MOUNTING-RUBBER	6
9	8T-4183B	BOLT (M12x40)	16
8	7X-2564B	BOLT (M20x90)	5
7	8T-4123B	WASHER (20)	5
6	235-0544B	PLATE (22x70x11)	4
5	B313-5535	MOUNT	4
4	6T-1698B	MOUNT	8
3	337-7572B	GUARD GP-REAR	1
2	8T-4223B	WASHER (12)	16
1	8T-4121B	WASHER (10)	3

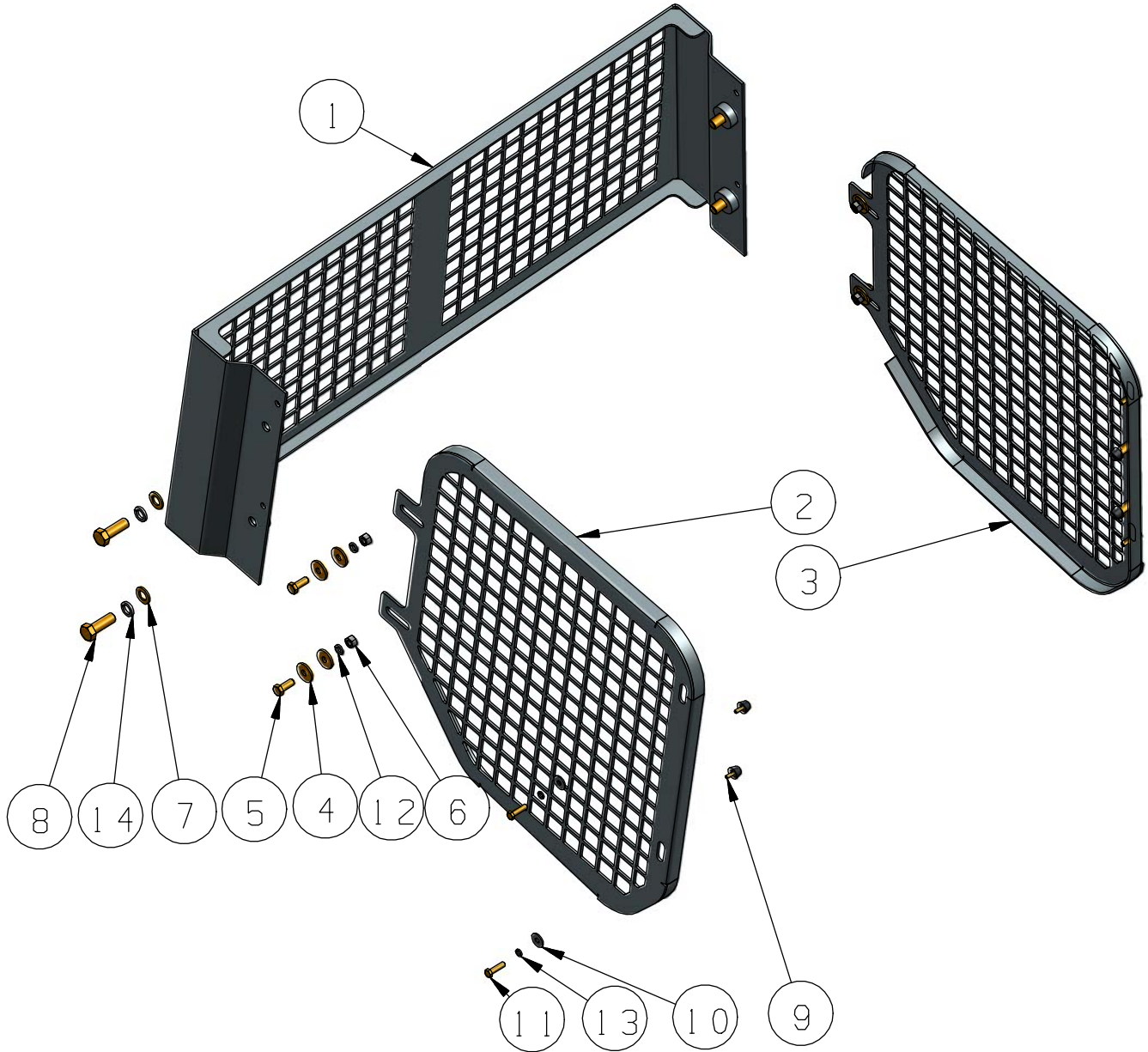
33	357-4339B	PLATE	4
32	8T-4184B	BOLT (M12x45)	8
31	8T-4910B	BOLT (M12x60)	8
30	5P-1076B	WASHER (12)	16
29	337-7611B	PLATE	4
28	337-9615B	BRACKET AS.	2
27	B337-7619	MOUNT AS.	2
26	B337-7602	TUBE AS.	1
25	B337-7600L	TUBE AS. -LH	1
24	337-7608B	BRACKET AS.	2
PC NO	PART NO.	PART NAME	QTY

**GUARD GP -REAR (D7E)  
337-7572B**



11	8T-4186B	BOLT (M10x40)	32
10	8T-4121B	WASHER (10)	32
9	8T-4193B	BOLT (M16x50)	2
8	8T-4223B	WASHER (12)	2
7	337-7593B	GUARD AS. -RH	1
6	337-7595B	PLATE AS.	2
5	337-7589B	GUARD AS. -LH	1
4	337-7585B	GUARD AS.	1
3	337-7583B	GUARD AS.	2
2	312-2303B	PLATE	1
1	337-7574B	GUARD AS. -REAR	1
PC NO	PART NO.	PART NAME	QTY

# SCREEN SYS - (D7E) B304-8640



14	GB93-87,24	SPRING WASHER (24)	4
13	GB93-87,12	SPRING WASHER (12)	4
12	GB93-87,16	SPRING WASHER (16)	4
11	8T-4184B	BOLT (M12x45)	4
10	B96.2-12	BIG WASHER (12)	4
9	307-4727B	BUMPER CONICAL	4
8	7X-2576B	BOLT (M24x3x70)	4
7	8T-4167B	WASHER (26x44x4)	4
6	B6170F-16	NUT (M16x2)	4
5	7X-2553B	BOLT (M16x2x40)	4
4	3V-9244B	WASHER (16.5x50x5)	8
3	B305-8119	SCREEN AS-LH	1
2	B315-8113	SCREEN AS-RH	1
1	B340-0876	SCREEN AS-REAR	1
PC NO	PART NAME	PART NO.	QTY