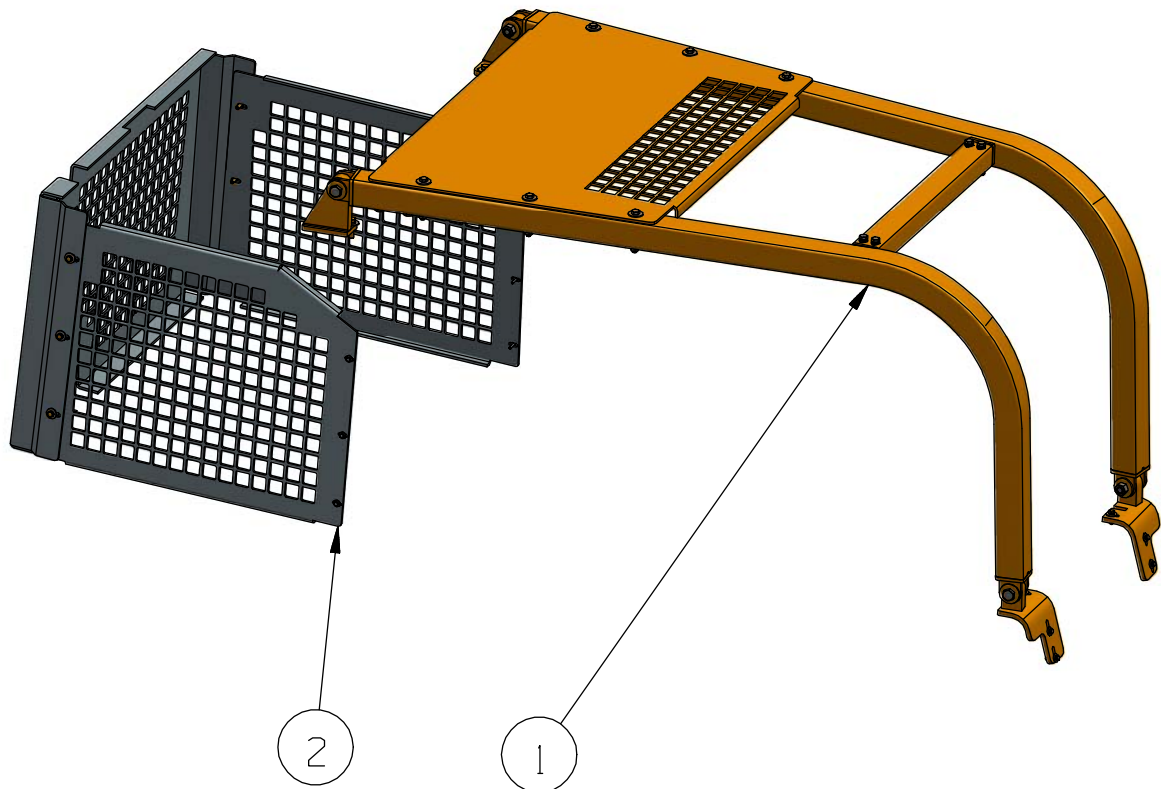
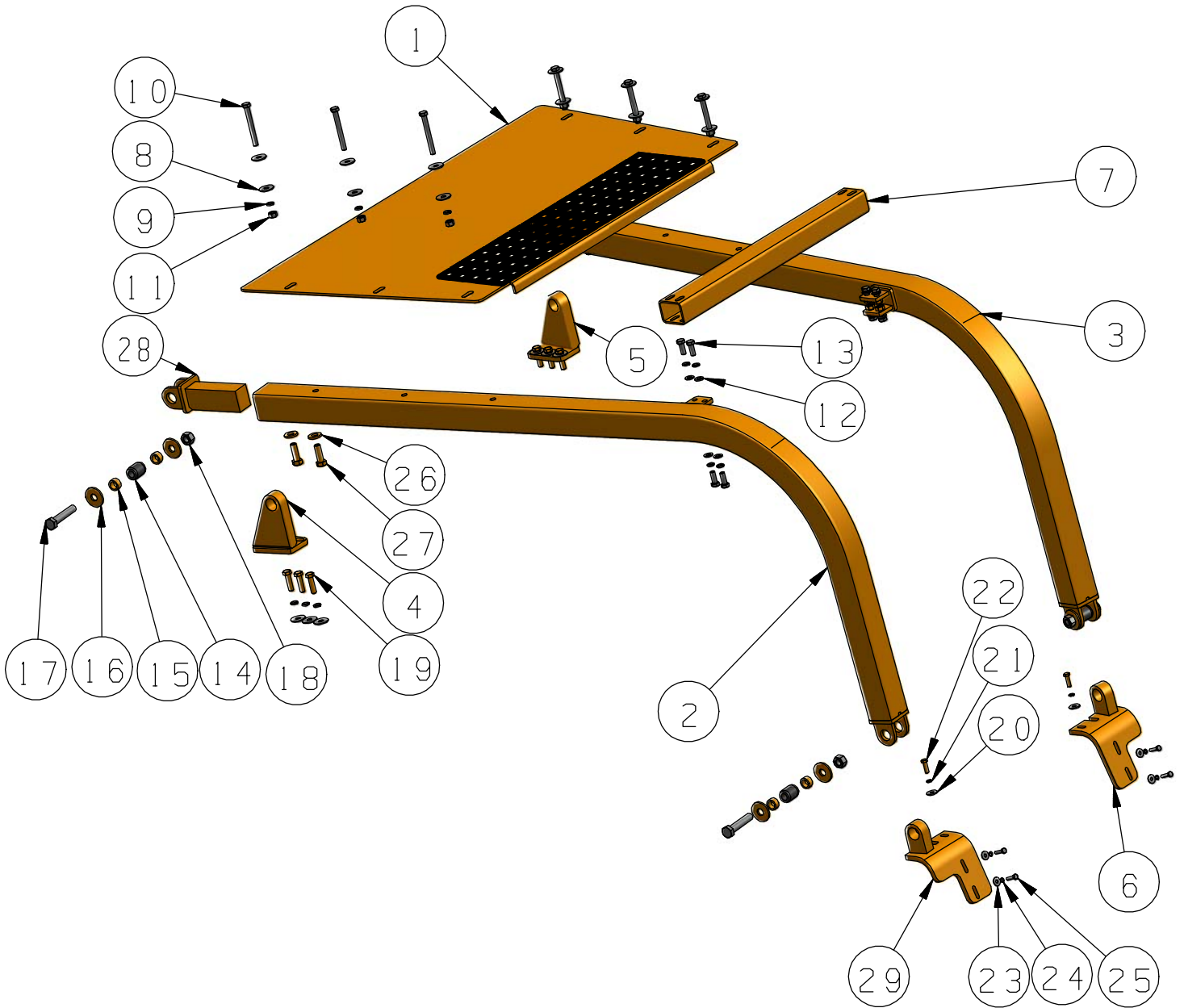


D65 - PROTECTION SYS
D65 (KOMATSU)



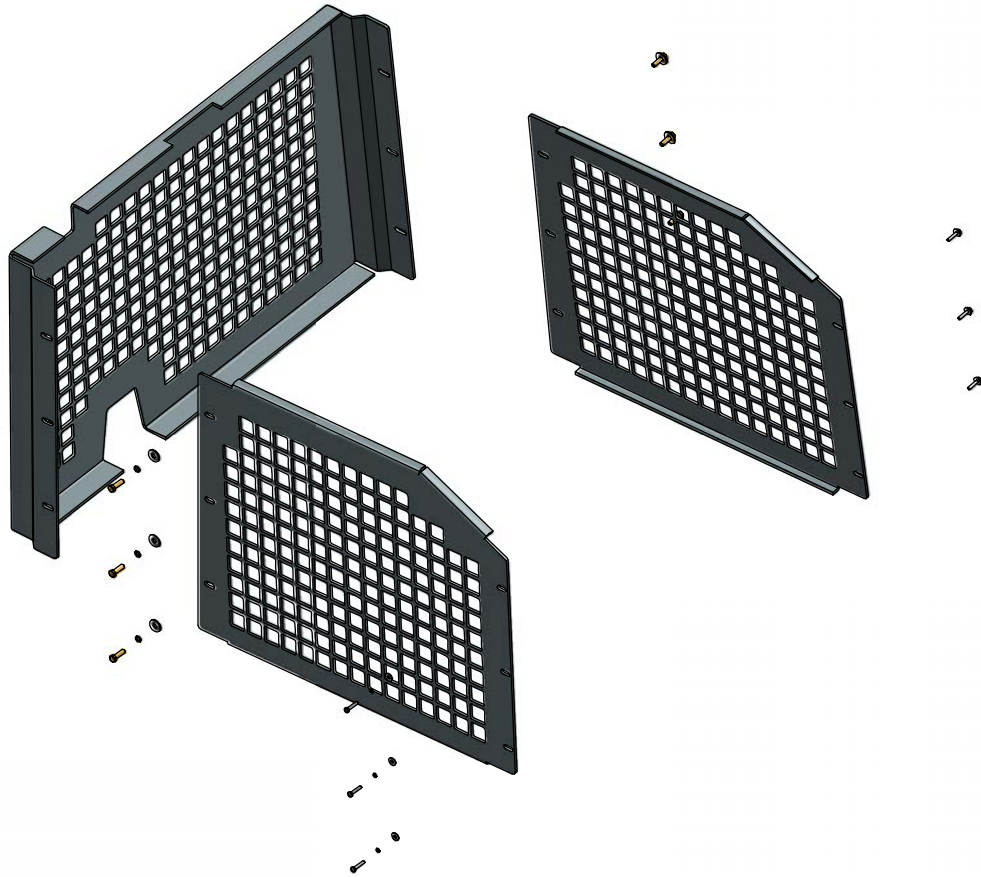
2	D65 - 2000	SCREEN GP - D65	1
1	D65 - 1000	SWEEP GP - D65	1
PC NO	PART NO.	PART NAME	QTY

**D65 SWEEP GP
D65-1000 (KOMATSU)**



29	D65-1000-5R	SUPPORT AS.-FRONT(RH)	1	15	B001	BUSH (28x38x18)	8
28	D65-1000-8A	ADJUST AS.	2	14	B9S-5187	MOUNT-RUBBER	4
27	7X-2563B	BOLT (M20x60)	4	13	B5782-16-40	BOLT (M16x40)	8
26	8T-5439B	WASHER (20)	4	12	B97.1-16	WASHER (16)	8
25	B5782-10-40	BOLT (M10x40)	4	11	B6170F-16	NUT (M16)	6
24	B93-10	SPRING WASHER (10)	4	10	B5782-16-140	BOLT (M16x140)	6
23	B96.2-10	BIG WASHER (10)	4	9	B93-16	SPRING WASHER (16)	20
22	8T-4183B	BOLT (M12x40)	2	8	B96.2-16	BIG WASHER (16)	18
21	B93-12	SPRING WASHER (12)	2	7	D65-1000-7	TUBE	1
20	B96.2-12	BIG WASHER (12)	2	6	D65-1000-5L	SUPPORT AS.-FRONT(LH)	1
19	8T-4140B	BOLT (M16x60)	6	5	D65-1000-4L	SUPPORT AS.-LH	1
18	B6170F-24	NUT (M24)	4	4	D65-1000-4R	SUPPORT AS.-RH	1
17	B5782-24-120	BOLT (M24x120)	4	3	D65-1000-1L	SWEEP AS.-LH	1
16	B329-9650		8	2	D65-1000-1R	SWEEP AS.-RH	1
PC NO	PART NO.	PART NAME	QTY	1	D65-1000-3	PLATE -TOP	1
				PC NO	PART NO.	PART NAME	QTY

D65 SCREEN GP
D65-2000 (KOMATSU)



9	B5782-8	BOLT (M8x40)	6
8	B93-8	SPRING WASHER (8)	6
7	B96.2-8	BIG WASHER (8)	6
6	8T-4183B	BOLT (M12x40)	6
5	B93-12	SPRING WASHER (12)	6
4	B96.2-12	BIG WASHER (12)	6
3	D65-2000-1	SCREEN-RH	1
2	D65-2000-2	SCREEN-LH	1
1	D65-3000-1	SCREEN -REAR	1
PC NO	PART NO.	PART NAME	QTY