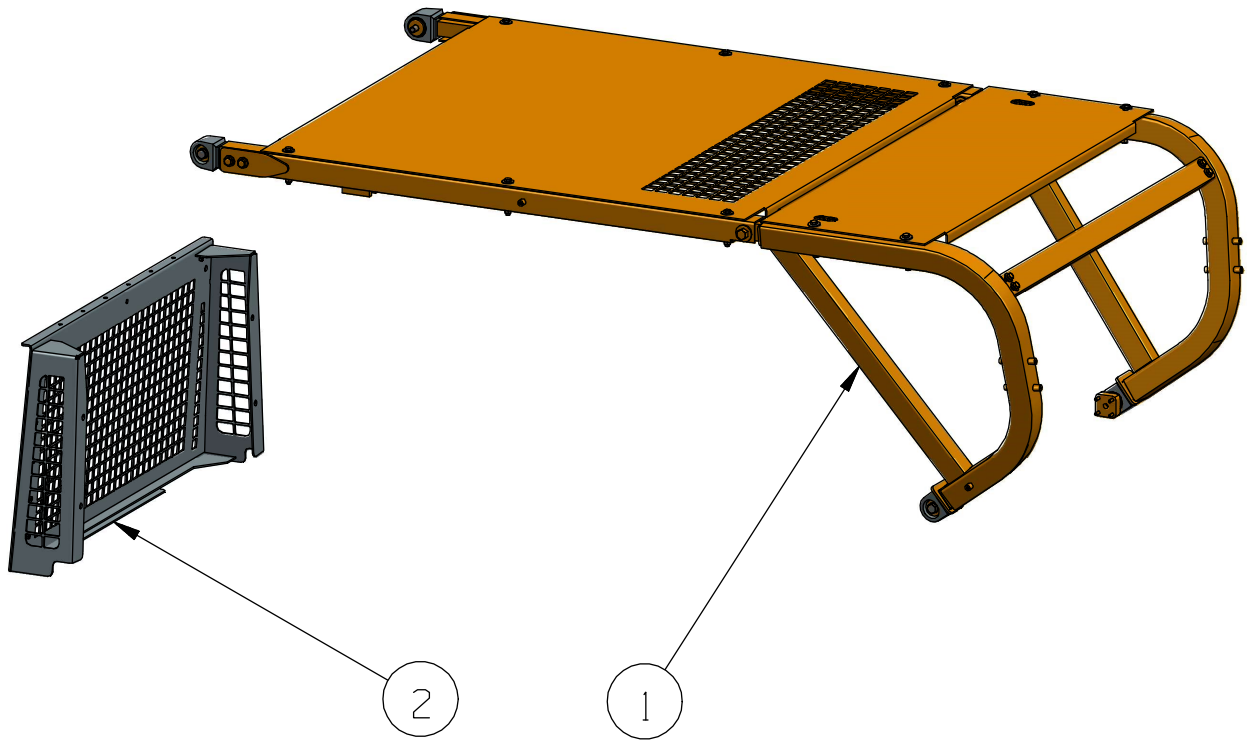
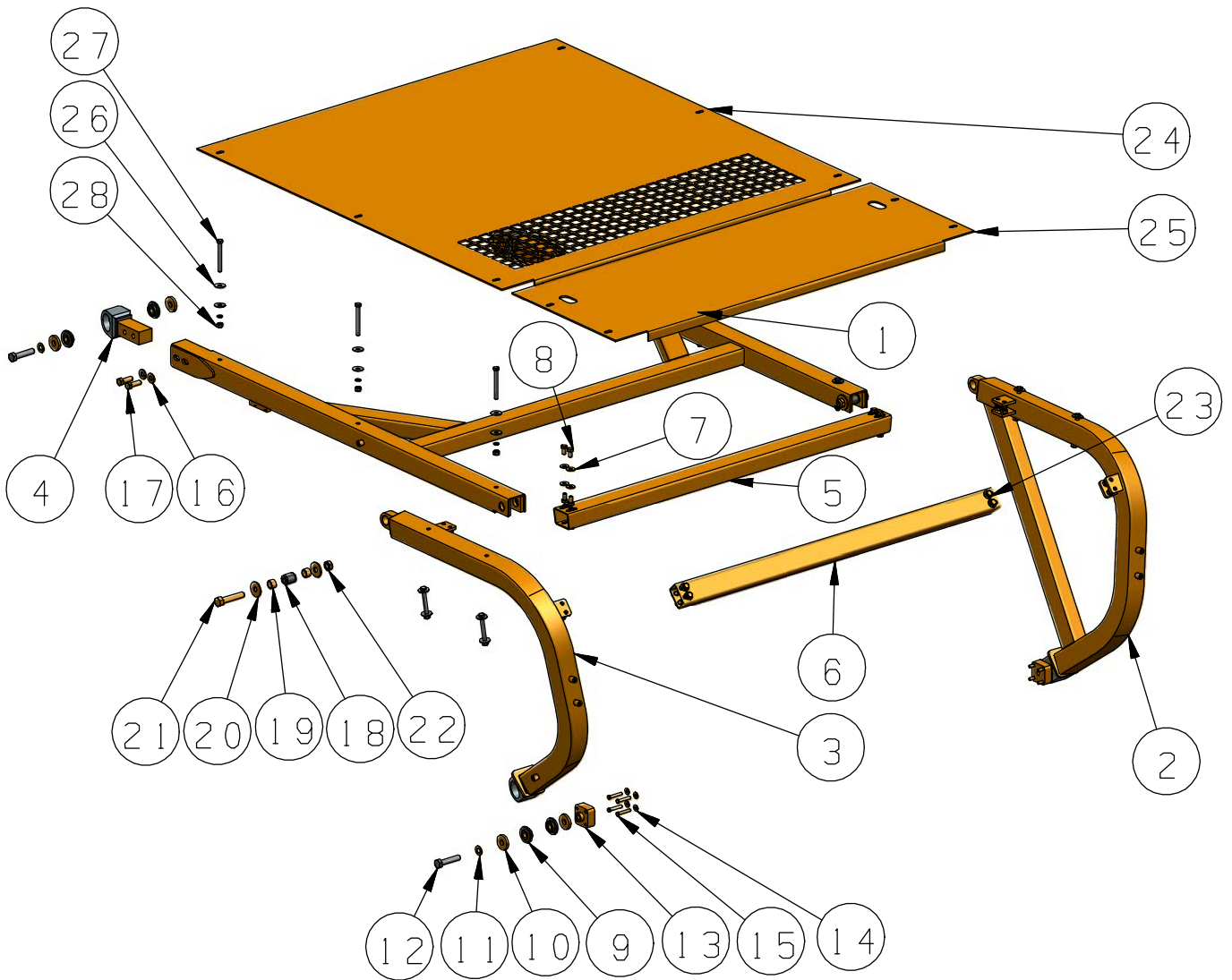


**PROTECTION SYS - (D8T)
(WITH TOP)**



2	B361-6307	SCREEN GP.-REAR (D8T)	1
1	353-2766B (WITH TOP)-EXP	SWEEP GP(WITH TOP) -(D8T)	1
PC NO	PART NO.	PART NAME	QTY

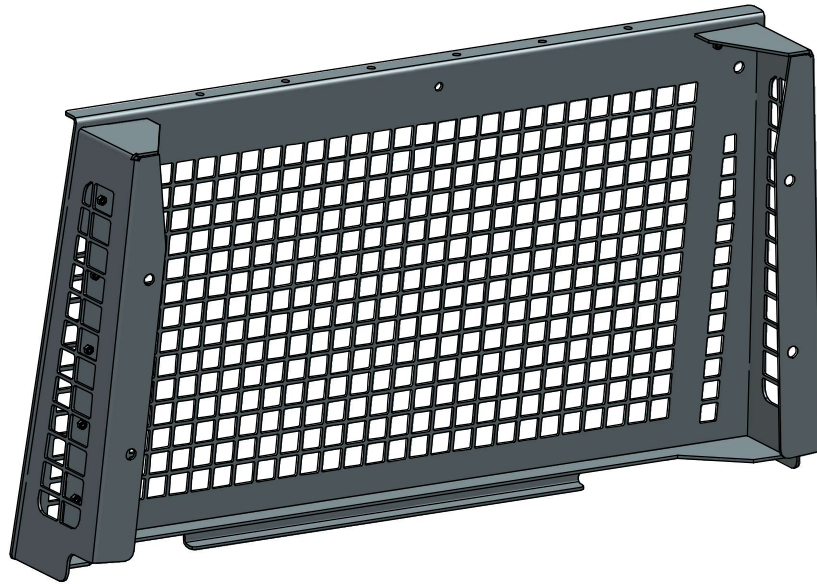
**SWEEP GP - (D8T)
353-2766B (WITH TOP)**



28	B6170-16	NUT (M16)	10
27	B5782-16-140	BOLT (M16x140)	10
26	B96.2-16	BIG WASHER (16)	20
25	B353-2766-2	TOP PLATE-FRONT	1
24	B353-2766-1	TOP PLATE-REAR	1
23	B93-16	SPRING WASHER (16)	26
22	6K-3632B	LOCKNUT (1-8UNC)	2
21	8C-8844B	BOLT (1-8UNCx127)	2
20	B329-9650	WASHER PLATE (26x70x6)	4
19	B325-7926-1	BUSH (28x38x24)	4
PC NO	PART NO.	PART NAME	QTY

18	B9S-5187	RUBBER BUSH	2
17	7X-2563B	BOLT (M20x2.5x60)	4
16	8T-5439B	WASHER (20)	4
15	6V-8336B	BOLT (M12x1.75x70)	8
14	5P-1076B	WASHER (12; 1/2")	8
13	329-9651B	SPACER	2
12	7X-2454B	BOLT (M24x3x110)	4
11	8T-4167B	WASHER (1")	4
10	329-9650B	WASHER PLATE (26x70x11)	8
9	6T-1698B	MOUNT	8
8	7X-2552B	BOLT (M16x2x30)	16
7	090-8865B	WASHER (16)	16
6	235-6241B	TUBE-DOWN	1
5	235-6240B	TUBE-UPPER	1
4	453-1583B	BRACKET AS.	2
3	B353-2769R	GUARD AS. -RH	1
2	B353-2769L	GUARD AS. -LH	1
1	353-2768B	GURARD AS.	1
PC NO	PART NO.	PART NAME	QTY

**SCREEN GP - REAR (D8T)
B361-6307**



1	B361-6307	SCREEN GP-REAR	1
PC NO	PART NO.	PART NAME	QTY