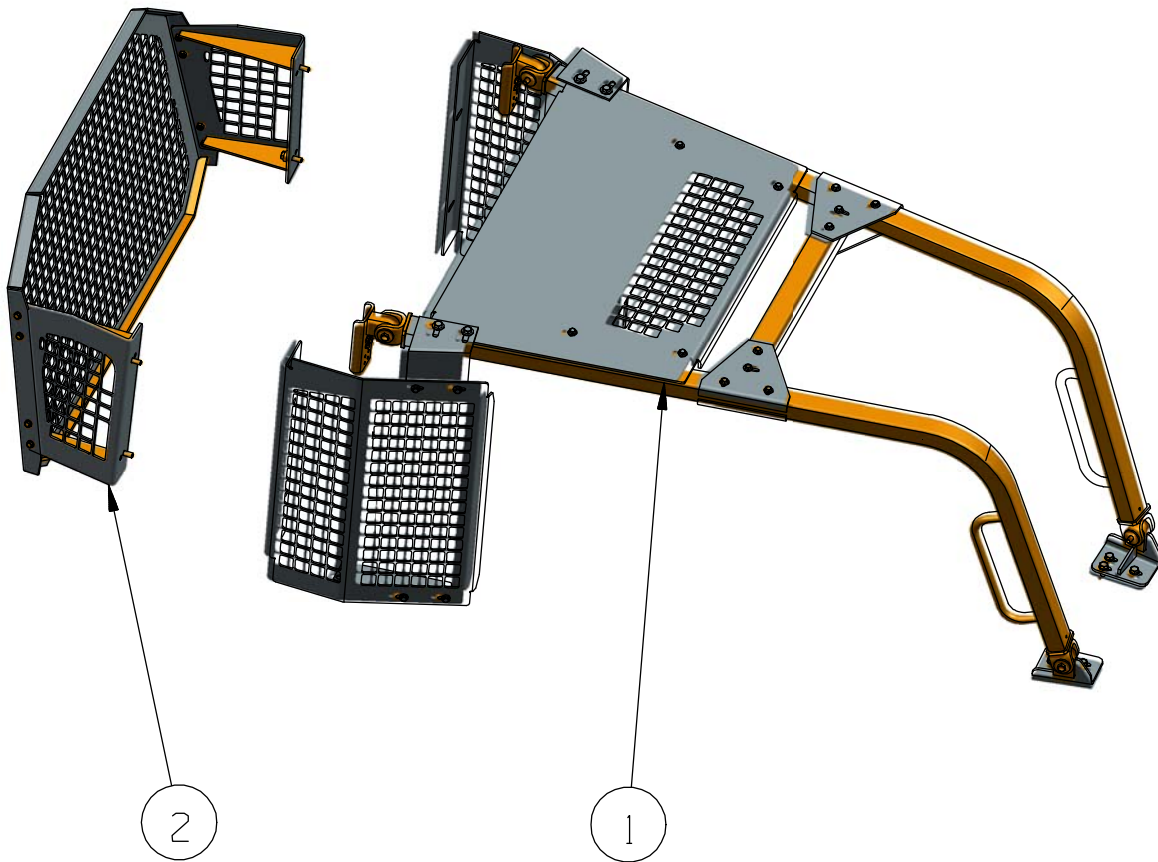


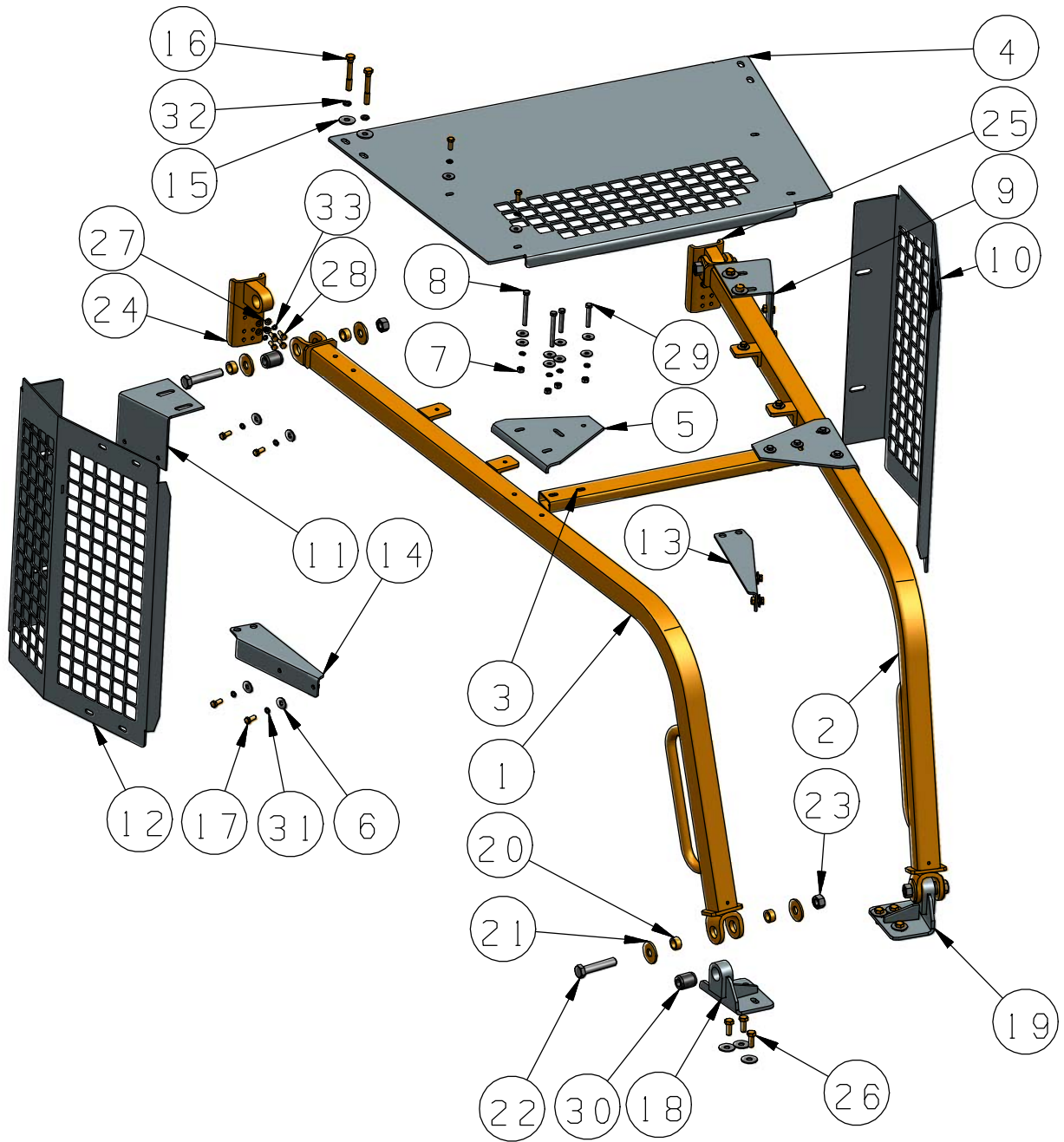
PROTECTION SYS-D5N



2	167-1466B	SCREEN GP-(D5N,D6N;D6N-B)	1
1	B225-1272-1	SWEEP GP-(D5N)	1
PC NO	PART NO.	PART NAME	QTY

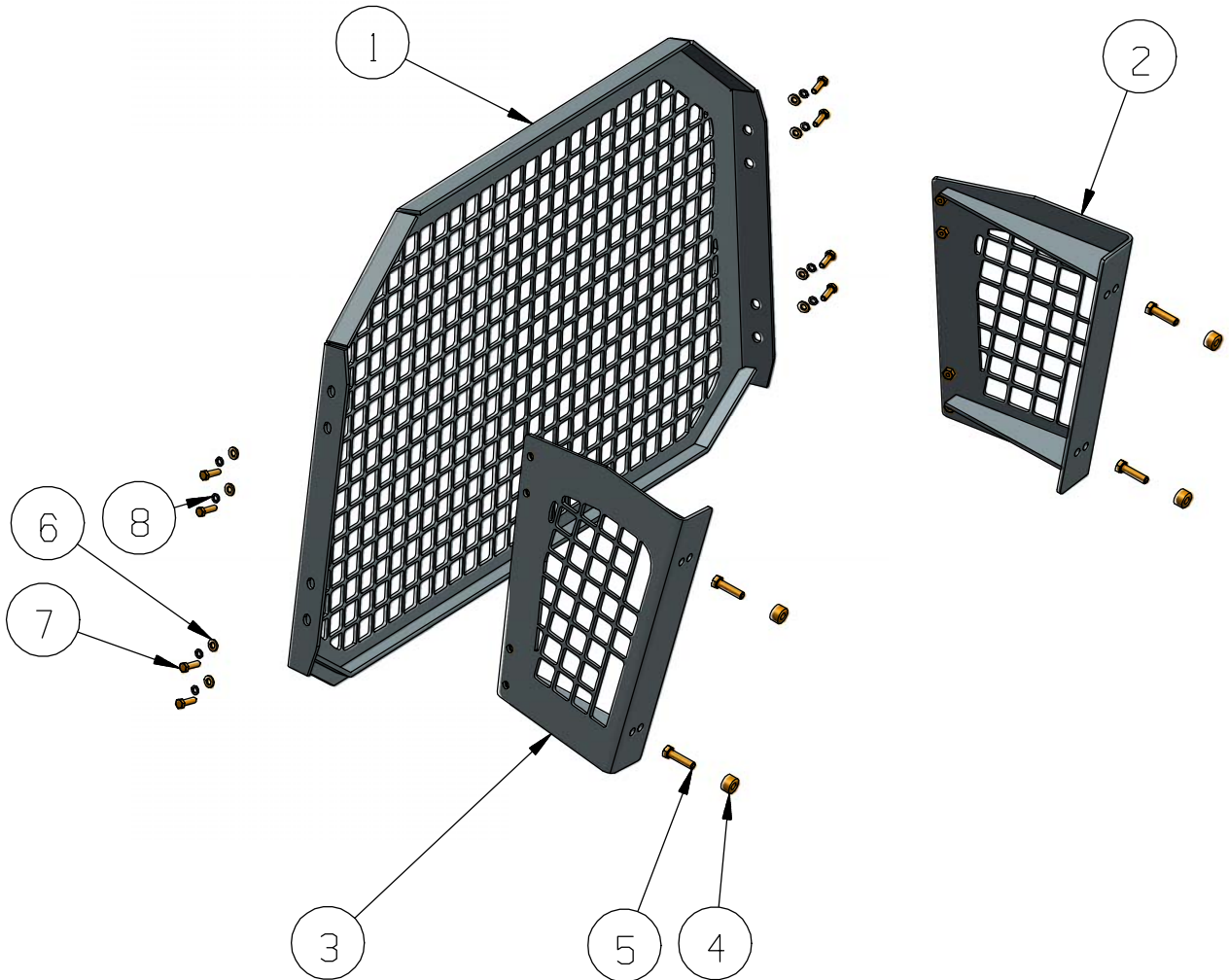
SWEEP GP -D5N

B225-1272-1



33	B93-10	SPRING WASHER (10)	8	19	225-0440B	BRACKET AS.-LH	1
32	B93-16	SPRING WASHER (16)	4	18	225-0439B	BRACKET AS.-RH	1
31	B93-12	SPRING WASHER (12)	20	17	8T-4139B	BOLT (M12x30)	12
30	B9S-5187	MOUNTING RUBBER	4	16	8T-4173B	BOLT (M16x110)	4
29	B5782-12-70	BOLT (M12x70)	4	15	B96.2-16	BIG WASHER (16)	10
28	8T-4195B	BOLT (M10x30)	8	14	B225-1272-6	SUPPORT DOWN-RH	1
27	8T-4121B	WASHER (10)	8	13	B225-1272-5	SUPPORT DOWN-LH	1
26	7X-2553B	BOLT (M16x40)	6	12	B225-1272-4	PROTECTIVE PLATE AS.-RH	1
25	225-3597B	SUPPORT AS.-LH	1	11	B225-1272-8	SUPPORT PLATE AS. -RH	1
24	225-3596B	SUPPORT AS.-RH	1	10	B225-1272-3	PROTECTIVE PLATE AS.LH	1
23	B6170-24	NUT (M24)	4	9	B225-1272-7	SUPPORT PLATE AS.-LH	1
22	B5782-24	BOLT (M24x120)	4	8	B5782-12-110	BOLT (M12x110)	4
21	B329-9650	PLATE (26x70x6)	8	7	B6170-12	NUT (M12)	8
20	B001	BHSH (28x38x18)	8	6	B96.2-12	BIG WASHER (12)	28
PC NO	PART NO.	PART NAME	QTY	5	225-0443B	PLATE	2
				4	B225-1272-2	PROTECTIVE PLATE-TOP	1
				3	225-3601B	TUBE	1
				2	225-3600B-1	SWEEP AS-LH	1
				1	225-3600B	SWEEP AS-RH	1
				1	225-3600B	SWEEP AS-RH	1
PC NO	PART NO.	PART NAME	QTY				

SCREEN GP - (D5N, D6N; D6N-B) 167-1466B



8	B93-12	SPRING WASHER 12	8
7	8T-4183B	BOLT (M12x40)	8
6	8T-4223B	WASHER (12)	8
5	8T-4140B	BOLT (M16x60)	4
4	8G-5258B	SPACER (17x35x20)	4
3	195-8422B	BRAKET -RH	1
2	195-8421B	BRAKET -LH	1
1	195-8430B	SCREEN AS.	1
PC NO	PART NO.	PART NAME	QTY