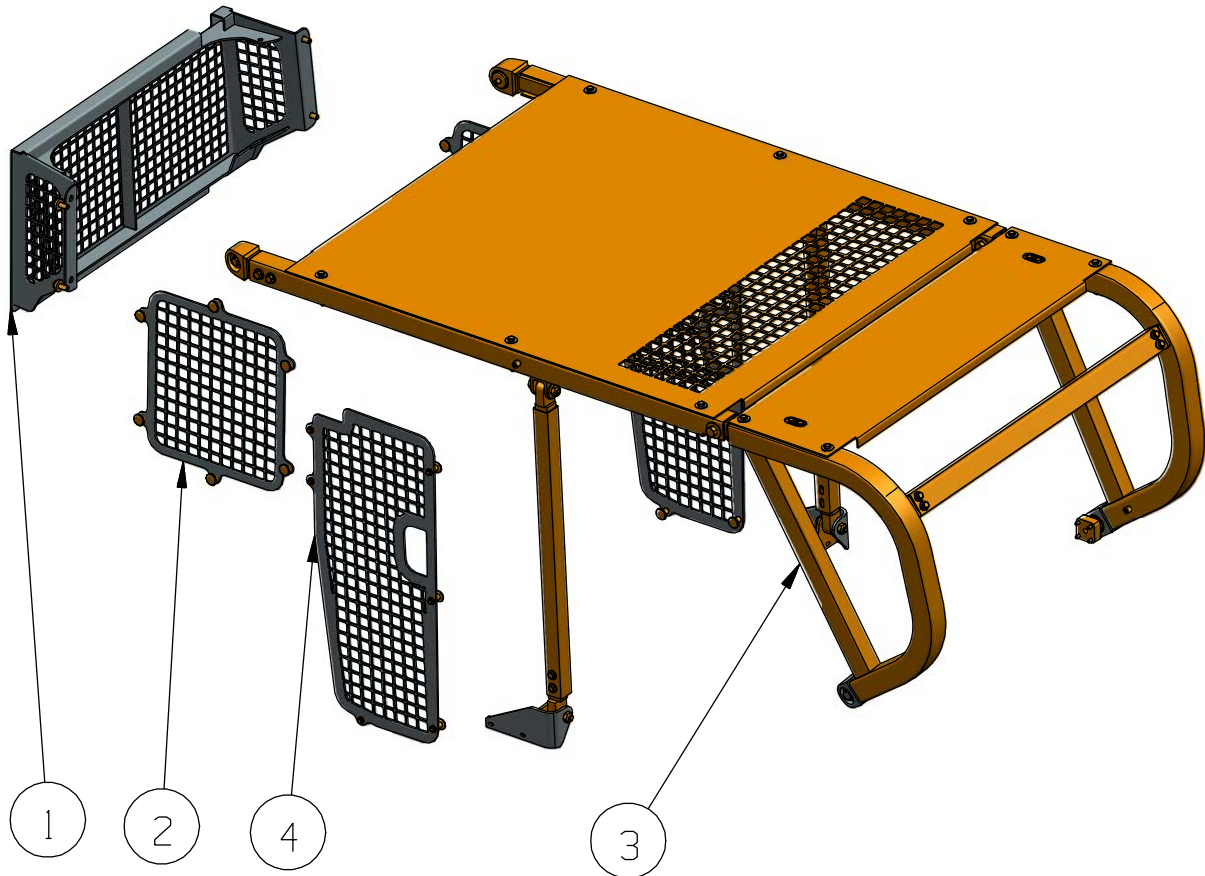
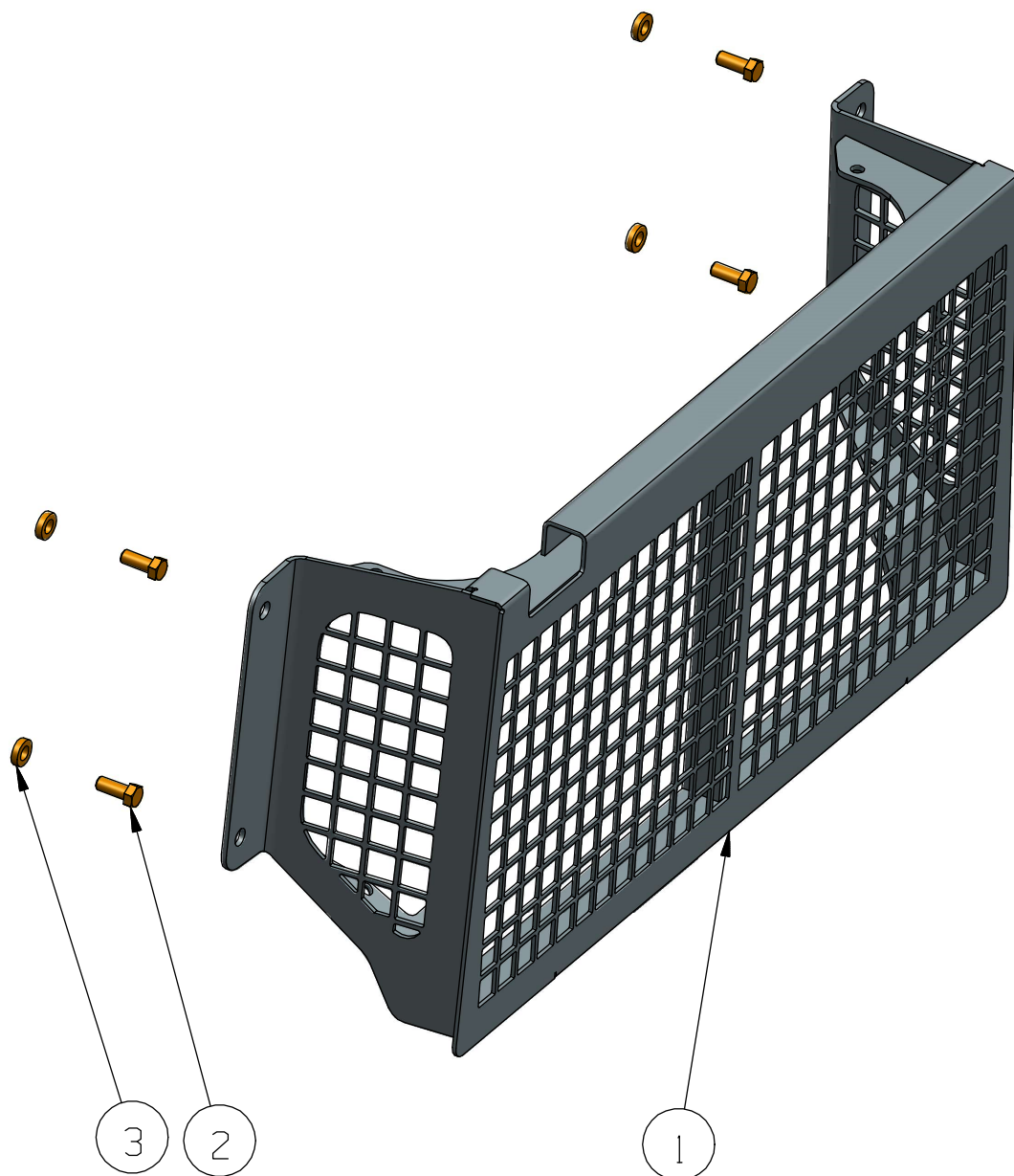


**PROTECTION SYS -D7R
(WITH TOP)**



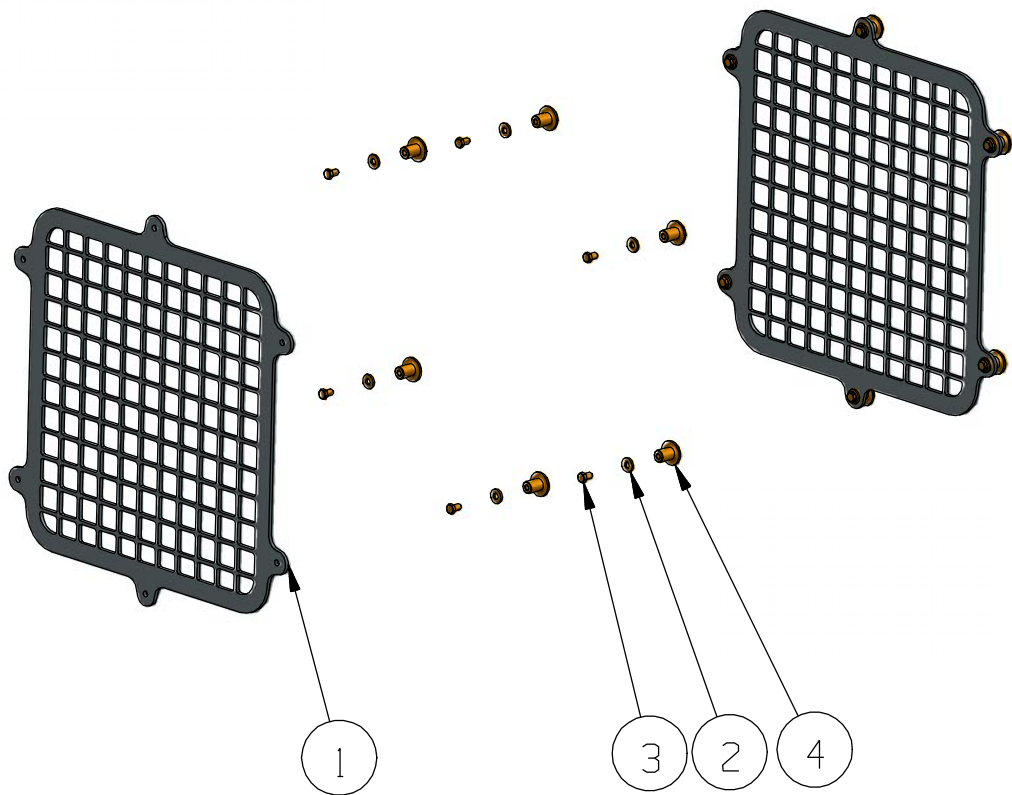
4	B4003-3007	DOOR PROTECTION AS. (D7R)	1
3	280-2044B	SWEEP GP (D7R)	1
2	B4003-3001	WINDOWS PROTECTION AS.- (D6R;D6T;D7R)	1
1	350-9314B	SCREEN GP-PROTECTIVE (D6R,D6T,D7R)	1
PC NO	PART NO.	PART NAME	QTY

**SCREEN GP PROTECTIVE
350-9314B (D6R, D6T, D7R)**



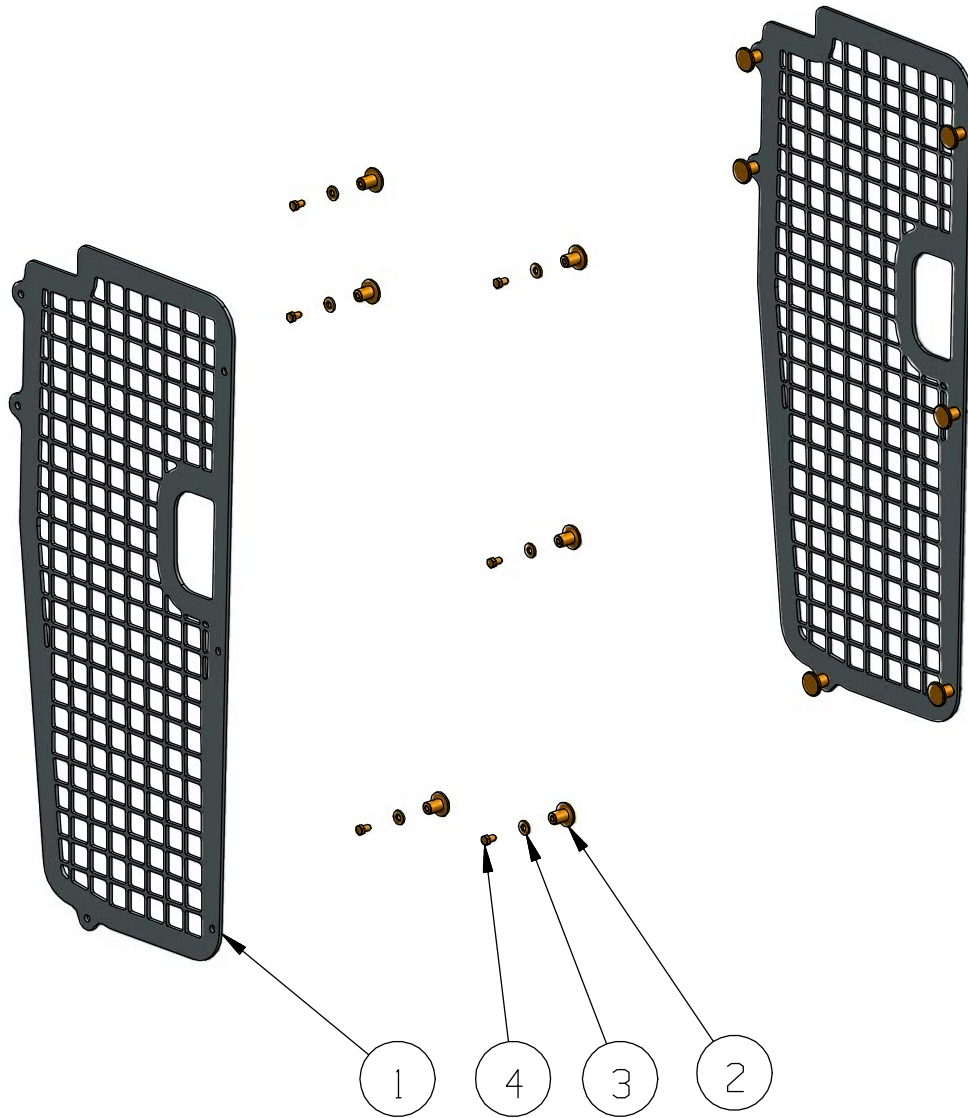
3	198-4781B	WASHER (22x40x10)	4
2	8T-6430B	BOLT (M20x2.5x50)	4
1	350-9310B	SCREEN AS.	1
PC NO	PART NO.	PART NAME	QTY

**WINDOWS PROTECTION AS
B4003-3001-(D6R,D6T,D7R)**



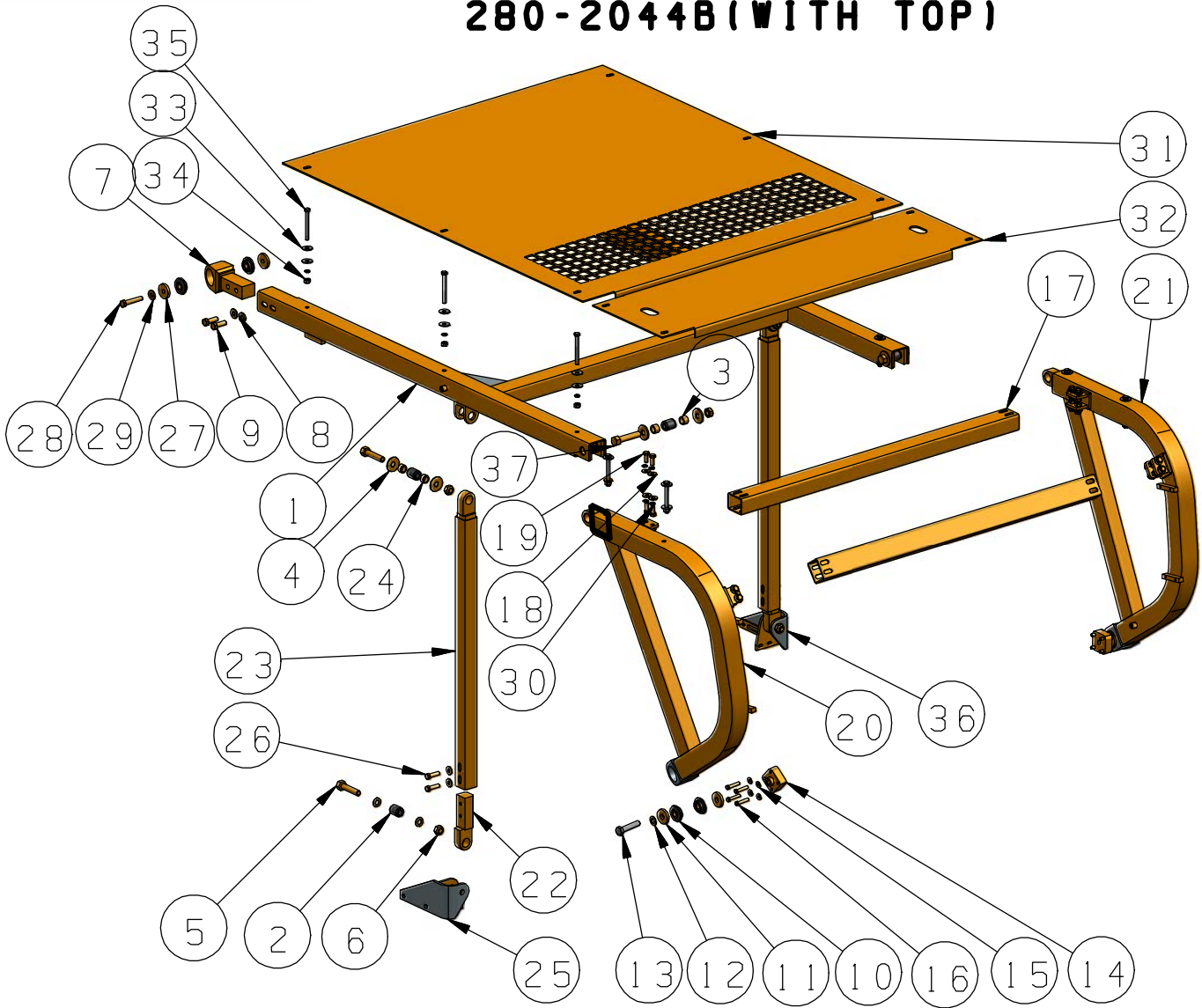
4	4003-3002B	STAND OFF MOUNT	12
3	B4003-3001-1	BOLT (1/2-13UNCx20)	12
2	5P-1076B	WASHER 13.5x30x4)	12
1	4003-3001B	PLATE WINDOWS PROTECTION	2
PC NO	PART NAME	PART NAME	QTY

**DOOR PROTECTION AS.
B4003-3007 (D7R)**



4	B4003-3001-1	BOLT (1/2-13UNCx20)	12
3	5P-1076B	WASHER (13.5x30x4)	12
2	4003-3002B	STAND OFF MOUNT	12
1	4003-3007B	PLATE-DOOR PROTECTION	2
PC NO	PART NO.	PART NAME	QTY

**SWEEP GP-(D7R)
280-2044B(WITH TOP)**



37	8C-8844B	BOLT (1-8UNCx127)	2
36	325-7930B	PLATE AS.	1
35	B5782-16-140	BOLT (M16x140)	10
34	B6170F-16	NUT (M16)	10
33	B96.2-16	BIG WASHER (16)	18
32	B280-2044-4	TOP PLATE-FRONT	1
31	B280-2044-3	TOP PLATE-REAR	1
30	B93-16	SPRING WASHER (16)	26
29	7X-0582B	WASHER (3/4")	2
28	8C-8842B	BOLT (3/4-10 x101.6)	2
27	150-1955B	PLATE	4
26	8T-4140B	BOLT (M16x2x60)	4
25	325-7931B	PLATE AS.	1
24	B325-7926-2	BUSH (d28xD38x18)	4
23	325-0163B	TUBE AS.	2
22	285-5248B	PLATE AS.	2
21	B280-2046L	GUARD AS.-LH	1
PC NO	PART NO.	PART NAME	QTY

20	B280-2046R	GUARD AS.-RH	1
19	7X-2553B	BOLT (M16x2x40)	16
18	090-8865B	WASHER (16)	22
17	B111-3267	TUBE	2
16	7X-0325B	BOLT (1/2-13 x63.5)	8
15	5P-1076B	WASHER (12;1/2")	8
14	329-9651B	SPACER	2
13	7X-2454B	BOLT (M24x3x110)	2
12	8T-4167B	WASHER (1")	6
11	329-9650B	PLATE	4
10	6T-1698B	MOUNT	8
9	7X-2563B	BOLT (M20x2.5x60)	4
8	8T-5439B	WASHER (20)	4
7	235-0541B	BLOCK AS.	2
6	6K-3632B	LOCKNUT 1-8	6
5	8C-8843B	BOLT (1-8UNCx114.3)	4
4	B329-9650	PLATE (26x70x6)	8
3	B325-7926-1	BUSH (d28xD38x24)	4
2	B95-5187	MOUNTING -RUBBER	6
1	280-2047B	GUARD AS.	1
PC NO	PART NO.	PART NAME	QTY