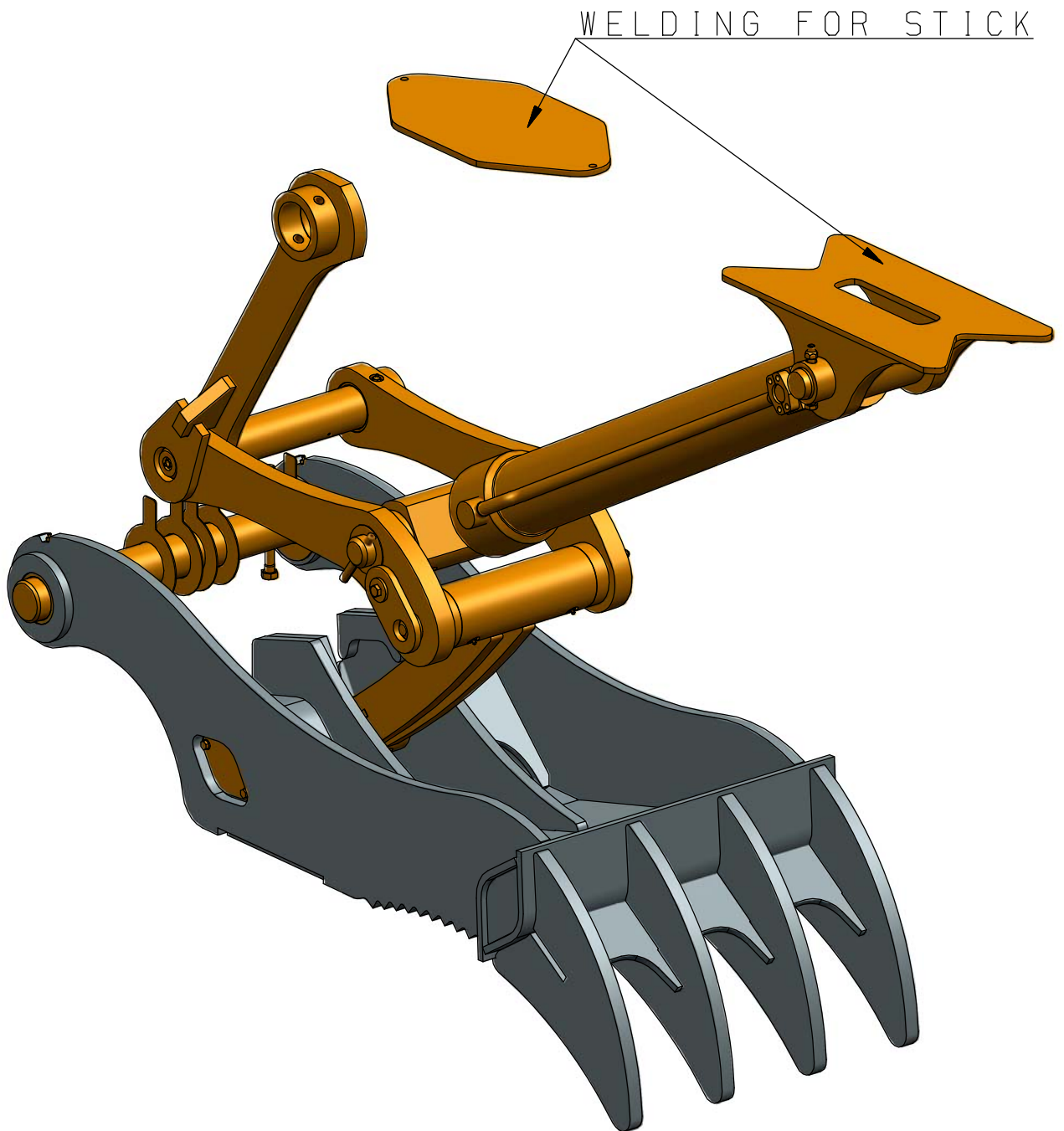
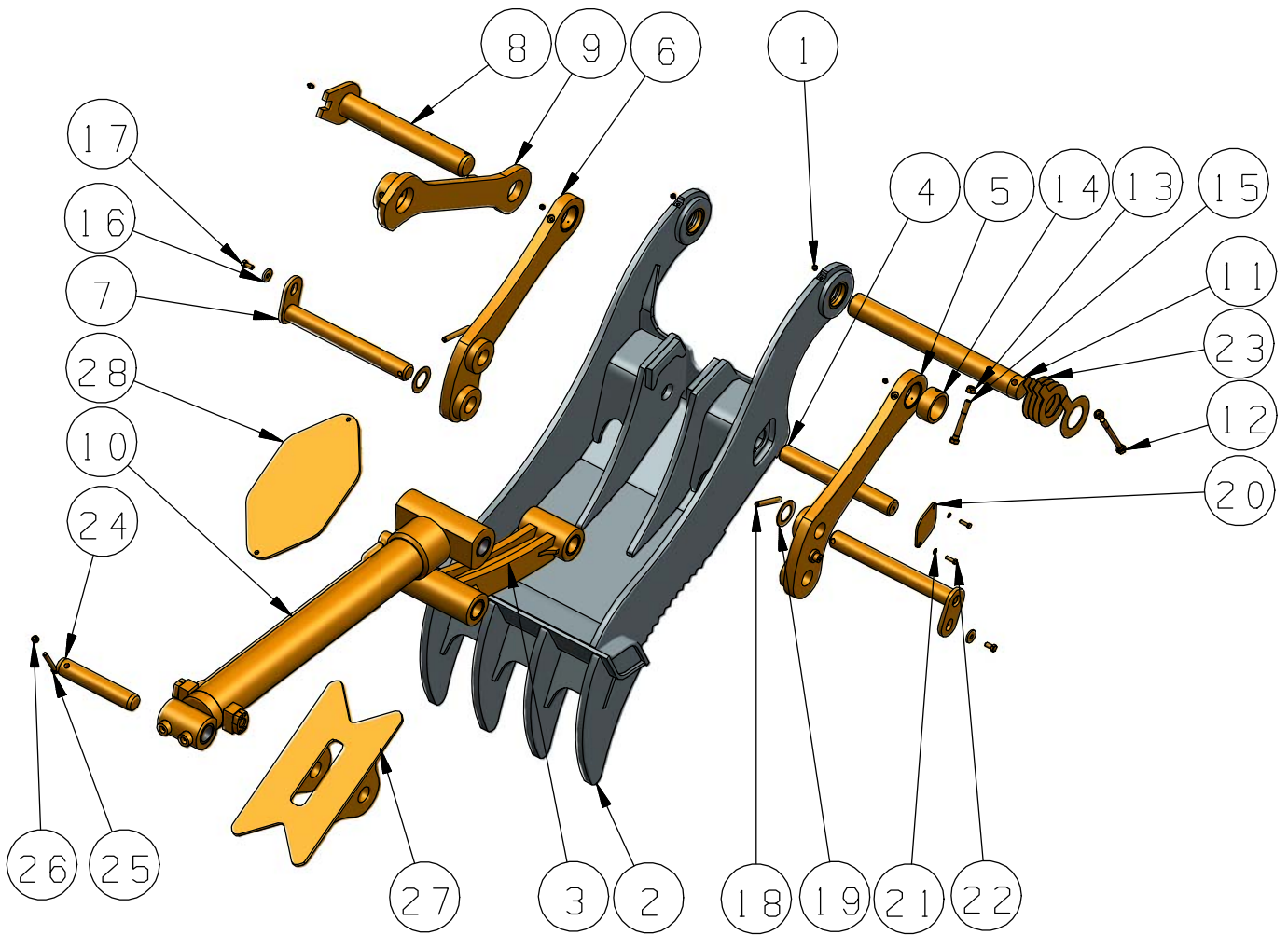


THUMB GP (387-9684B)



THUMB GP (387-9684B)



| | | | |
|-------|-----------|-------------------------------|-----|
| 28 | 386-3920B | PLATE (WELDIN FOR STICK) | 1 |
| 27 | 384-4423B | BRACKET AS(WELDING FOR STICK) | 1 |
| 26 | 6V-7687B | LOCKNUT (M12X1.75) | 1 |
| 25 | 7X-2549B | BOLT (M12X1.75X100) | 1 |
| 24 | 391-3835B | PIN | 1 |
| 23 | 391-3836B | PLATE-SHIM(USE AS REQUIRED) | 5 |
| 22 | 8T-7547B | BOLT (M8X1.25X30) | 4 |
| 21 | 9M-1974B | WASHER (8.8X16X2) | 4 |
| 20 | 391-3834B | PLATE-CAP | 2 |
| 19 | 9R-5438B | WASHER (51X82X2) | 2 |
| PC NO | PART NO. | PART NAME | QTY |

| | | | |
|-------|-----------|----------------------------|-----|
| 18 | 6Y-2266B | PIN | 2 |
| 17 | 8T-4192B | BOLT (M12X1.75X25) | 2 |
| 16 | 7X-0618B | WASHER (13.5X40X5) | 2 |
| 15 | 8T-4174B | BOLT (M16x2-120) | 1 |
| 14 | 157-7257B | RETAINER | 1 |
| 13 | 8T-4778B | LOCKNUT -(M16x2) | 2 |
| 12 | 8T-6385B | BOLT (M16x2-180) | 1 |
| 11 | 263-1449B | PIN | 1 |
| 10 | 390-9422B | CYLINDER GP-BASIC | 1 |
| 9 | 160-7887B | LINK AS. | 1 |
| 8 | 391-3824B | PIN AS.-IDLER | 1 |
| 7 | 391-3825B | PIN AS.-CYLINDER | 2 |
| 6 | 391-3822B | LINK AS.-IDLER | 1 |
| 5 | 391-3821B | LINK AS.-IDLER | 1 |
| 4 | 185-8079B | PIN | 1 |
| 3 | 391-3823B | LINK AS.-POWER | 1 |
| 2 | 387-9685B | THUMB AS | 1 |
| 1 | 3B-8489B | FITTING-GREASE (1/8-27PTF) | 9 |
| PC NO | PART NO. | PART NAME | QTY |