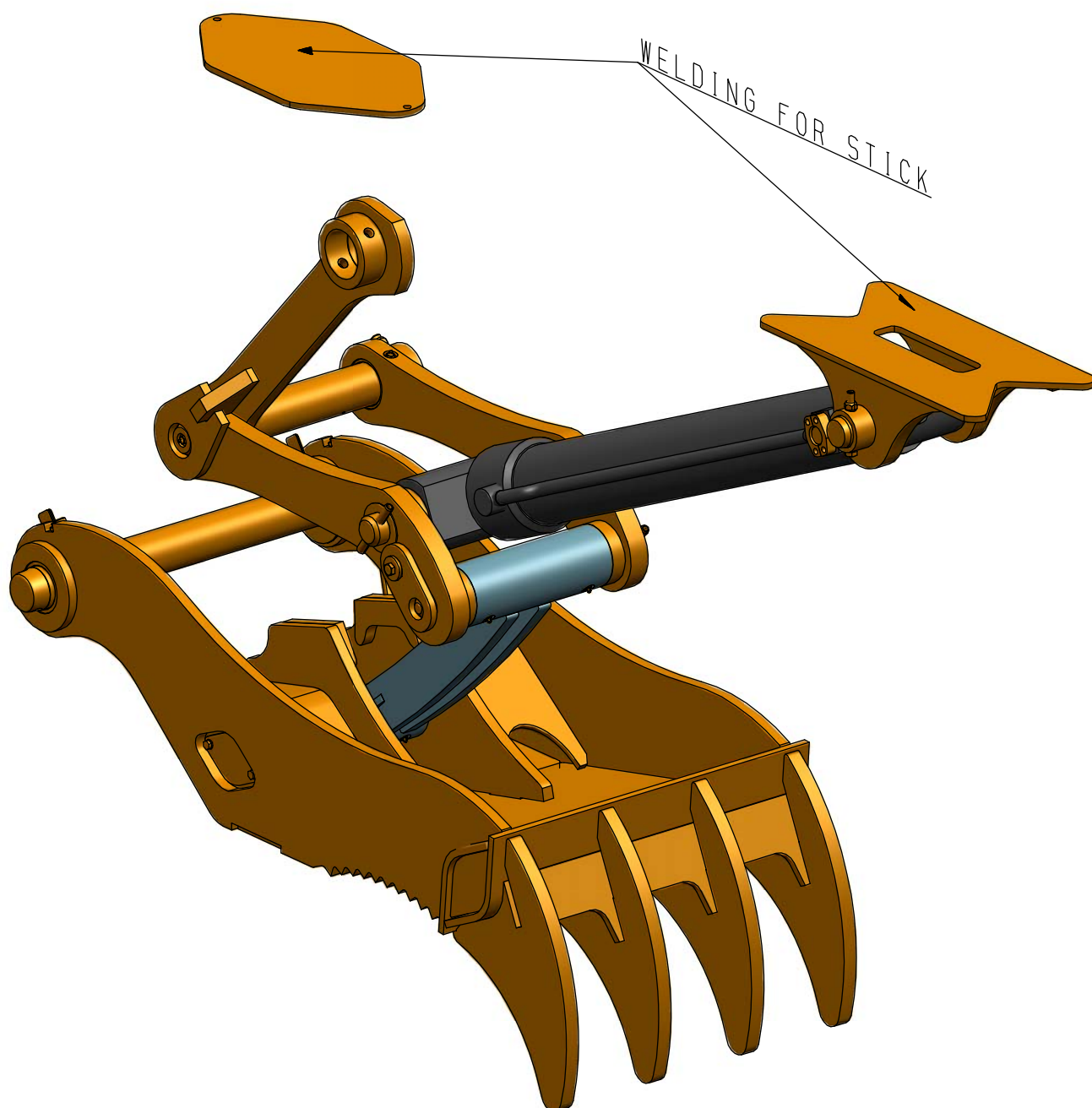
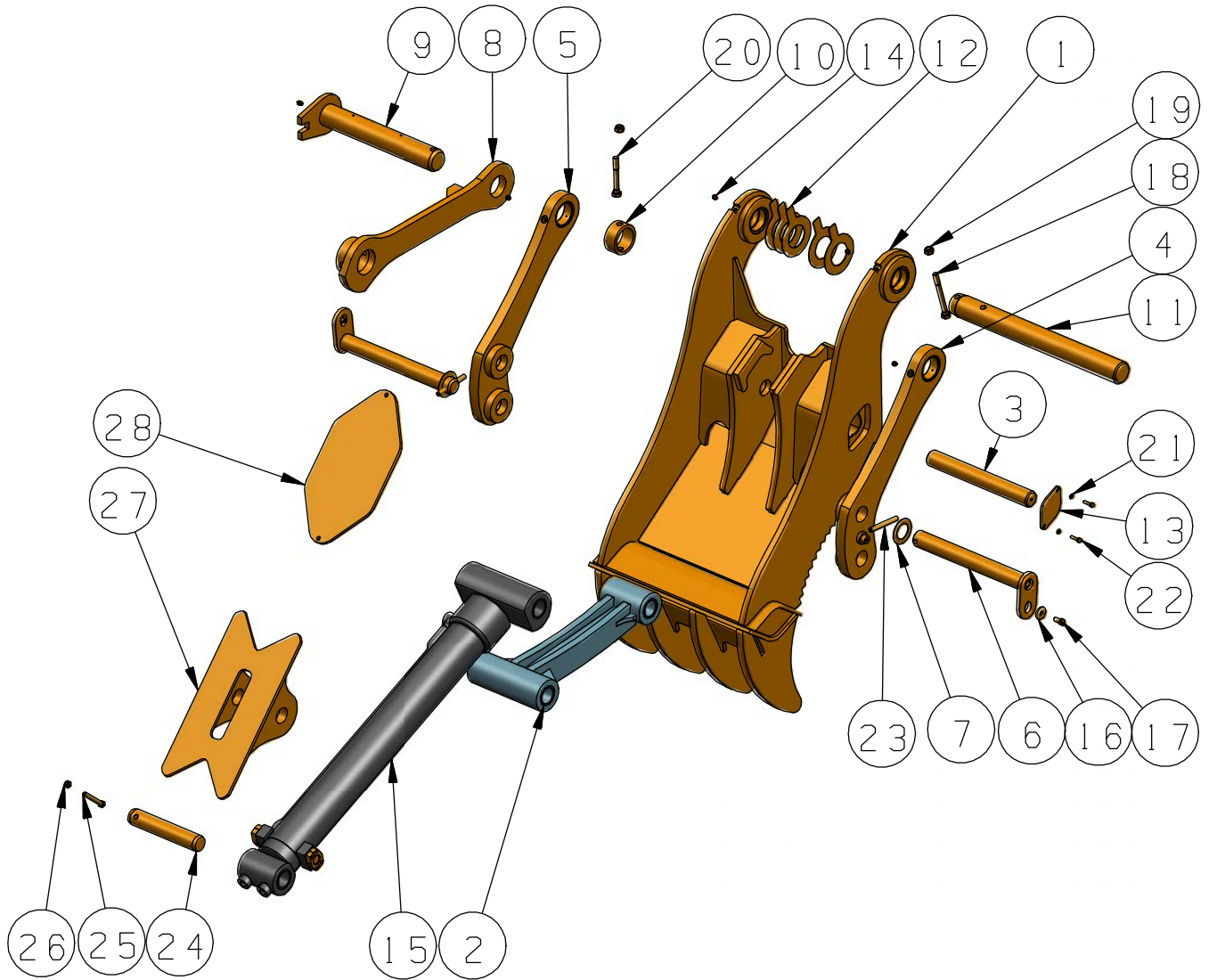


# THUMB GP (387-9674B)



# THUMB GP (387-9674B)



28	386-3920B	PLATE (WELDIN FOR STICK)	1
27	384-4423B	BRACKET AS (WELDIN FOR STICK)	1
26	6V-7687B	LOCKNUT (M12X1.75)	1
25	7X-2549B	BOLT (M12X1.75X100)	1
24	391-3835B	PIN	1
23	6Y-2266B	PIN	2
22	8T-7547B	BOLT (M8X1.25X30)	4
21	9M-1974B	WASHER (8.8X16X2)	4
20	8T-4174B	BOLT (M16X2X120)	1
19	8T-4778B	LOCKNUT (M16X2)	2
PC NO	PART NO.	PART NAME	QTY

18	7X-2559B	BOLT (M16X2X160)	1
17	8T-4192B	BOLT (M12X1.75X25)	2
16	7X-0618B	WASHER (13.5X40X5)	2
15	390-9422B	CYLINDER GP-THUMB	1
14	3B-8489B	FITTING-GREASE (1/8-27PTF)	9
13	391-3834B	PLATE-CAP	2
12	391-3836B	PLATE-SHIM(USE AS REQUIRED)	5
11	391-3850B	PIN	1
10	157-7257B	RETAINER	1
9	391-3824B	PIN AS	1
8	160-7887B	LINK AS	1
7	9R-5438B	WASHER (51X82X2)	2
6	391-3825B	PIN AS.	2
5	391-3822B	LINK AS-IDLER (LH)	1
4	391-3821B	LINK AS-IDLER (RH)	1
3	185-8079B	PIN	1
2	391-3823B	LINK AS.	1
1	387-9675B	THUMB AS	1
PC NO	PART NO.	PART NAME	QTY