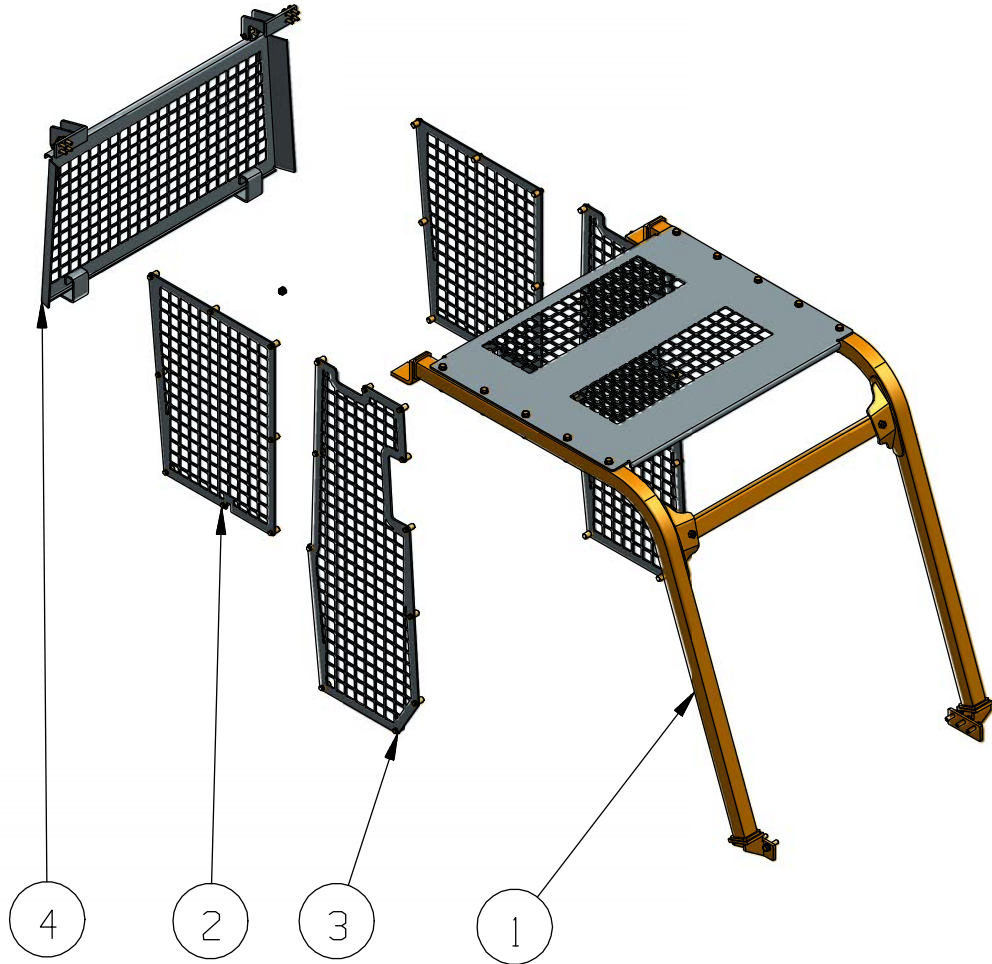
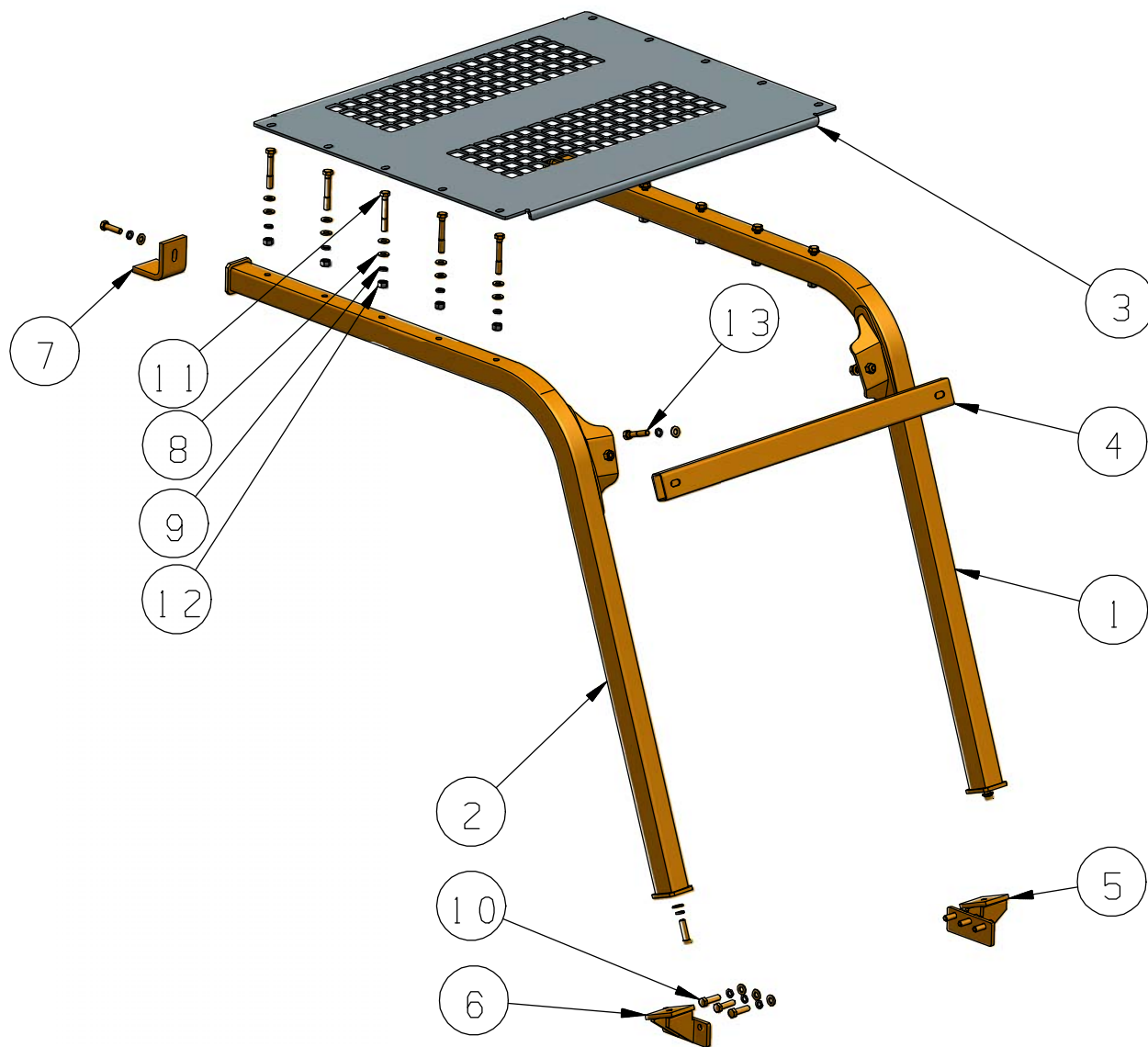


D7G-2 PROTECTION SYS



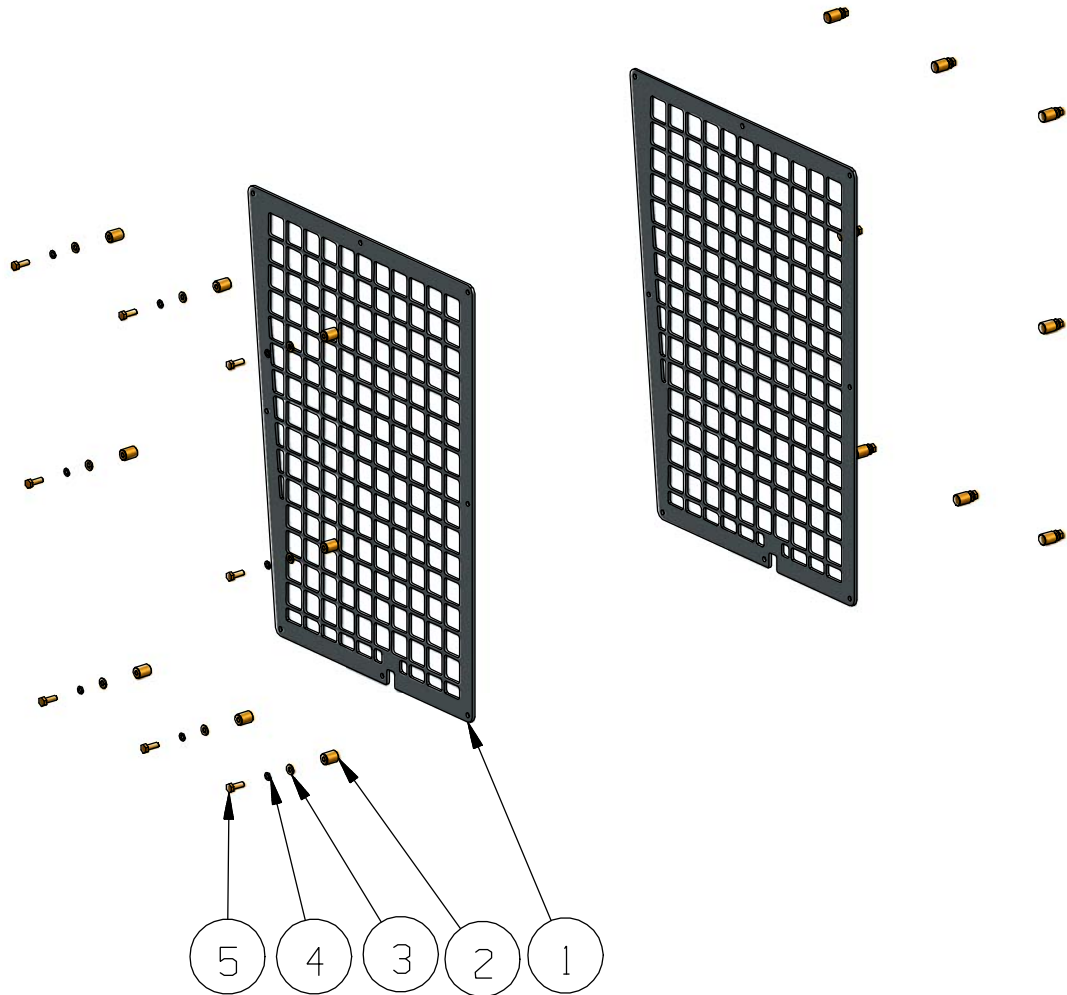
4	D7G-4000	D7G-2 SCREEN REAR	1
3	D7G-3000	D7G-2 SCREEN-DOOR	1
2	D7G-2000	D7G-2 SCREEN-WINDOW	1
1	D7G-1000	D7G-2 SWEEP GP	1
PC NO	PART NO.	PART NAME	QTY

D7G-2 SWEEP GP (D7G-1000)



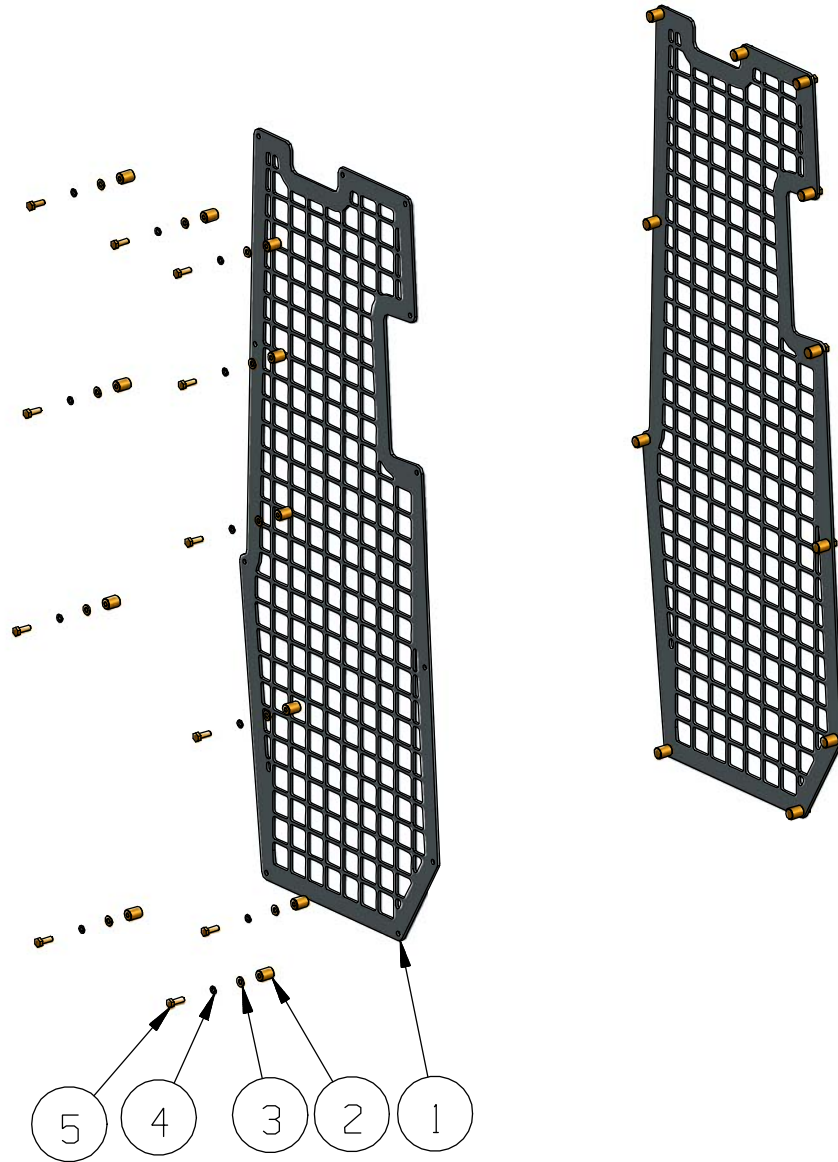
13	7X-2555B	BOLT (M16x80)	2
12	B6170-16	NUT (M16)	10
11	8T-4173B	BOLT (M16x110)	10
10	8T-4140B	BOLT (M16x60)	10
9	B93-16	SPRING WASHER (16)	22
8	8T-4122B	WASHER (16)	32
7	D7G-1005	SUPPORT REAR	2
6	D7G-1007	SUPPORT (RH)	1
5	D7G-1006	SUPPORT (LH)	1
4	D7G-1004	TUBE-LINK	1
3	D7G-1003	PLATE-TOP	1
2	D7G-1001R	TUBE AS.(RH)	1
1	D7G-1001L	TUBE AS.(LH)	1
PC NO	PART NO.	PART NAME	QTY

D7G-2 SCREEN GP-WINDOW (D7G-2000)



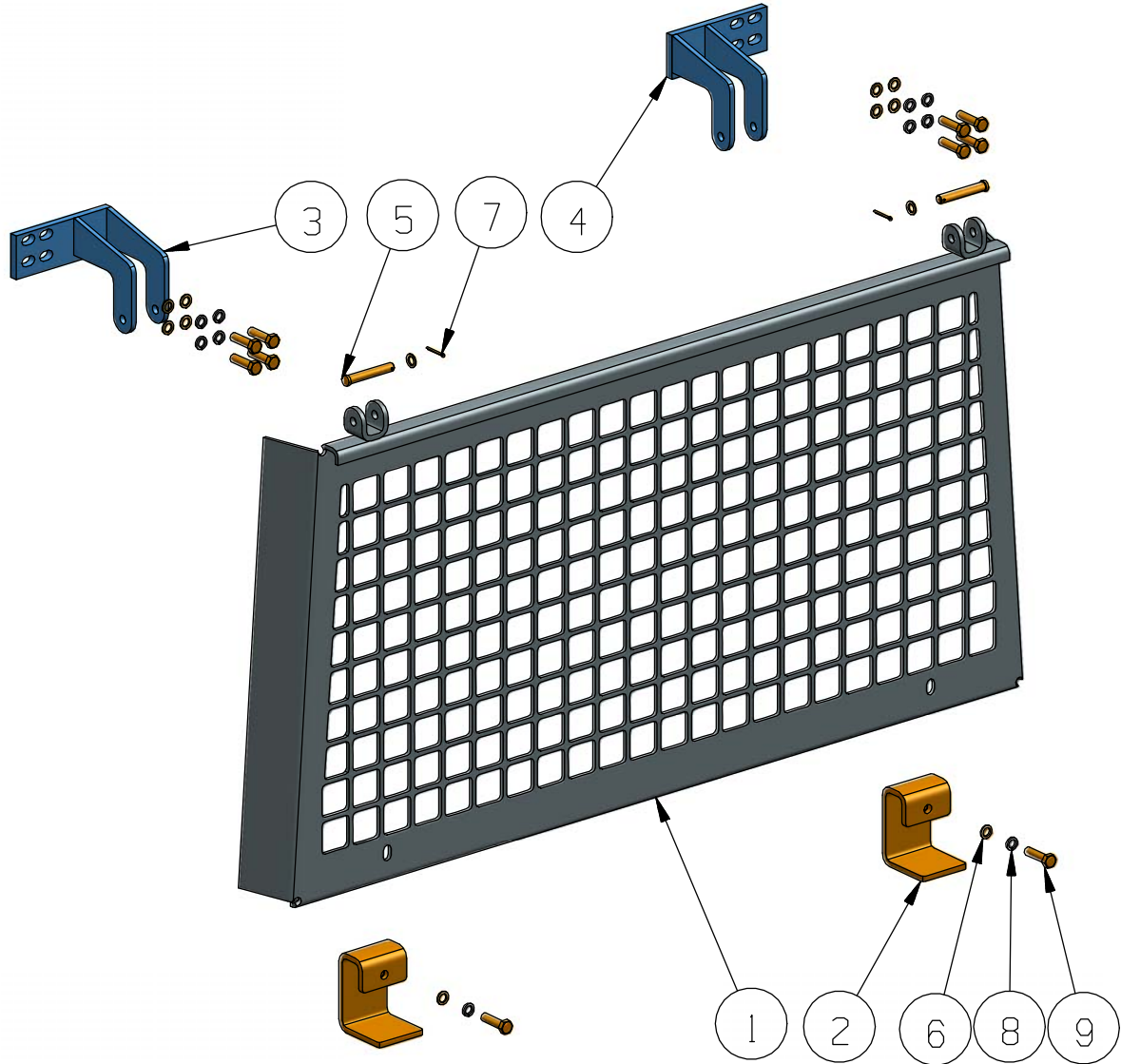
5	8T-4195B	BOLT (M12x30)	16
4	B93-12	SPRING WASHER(12)	16
3	8T-4121B	WASHER (12)	16
2	D7G-2002	STAND OFF MOUNT (M12)	16
1	D7G-2001	PLATE-WINDOW	2
PC NO	PART NO.	PART NAME	QTY

D7G-2 SCREEN GP-DOOR (D7G-3000)



5	8T-4195B	BOLT (M12x30)	22
4	B93-12	SPRING WASHER(12)	22
3	8T-4121B	WASHER (12)	22
2	D7G-2002	STAND OFF MOUNT (M12)	22
1	D7G-3001	PLATE-DOOR	2
PC NO	PART NO.	PART NAME	QTY

D7G-2 SCREEN GP (REAR) (D7G-4000)



9	8T-4184B	BOLT (M12x45)	10
8	GB93-87,12	SPRING WASHER (12)	10
7	3B-4618B	COTTER PIN (3.2X30)	2
6	7X-0599B	WASHER (12)	12
5	6S-9277B	PIN	2
4	D7G-4006	SUPPORT-UP (RH)	1
3	D7G-4005	SUPPORT-UP (LH)	1
2	D7G-4004	SUPPORT-DOWN	2
1	D7G-4001	SCREEN AS.-REAR	1
PC NO	PART NO.	PART NAME	QTY