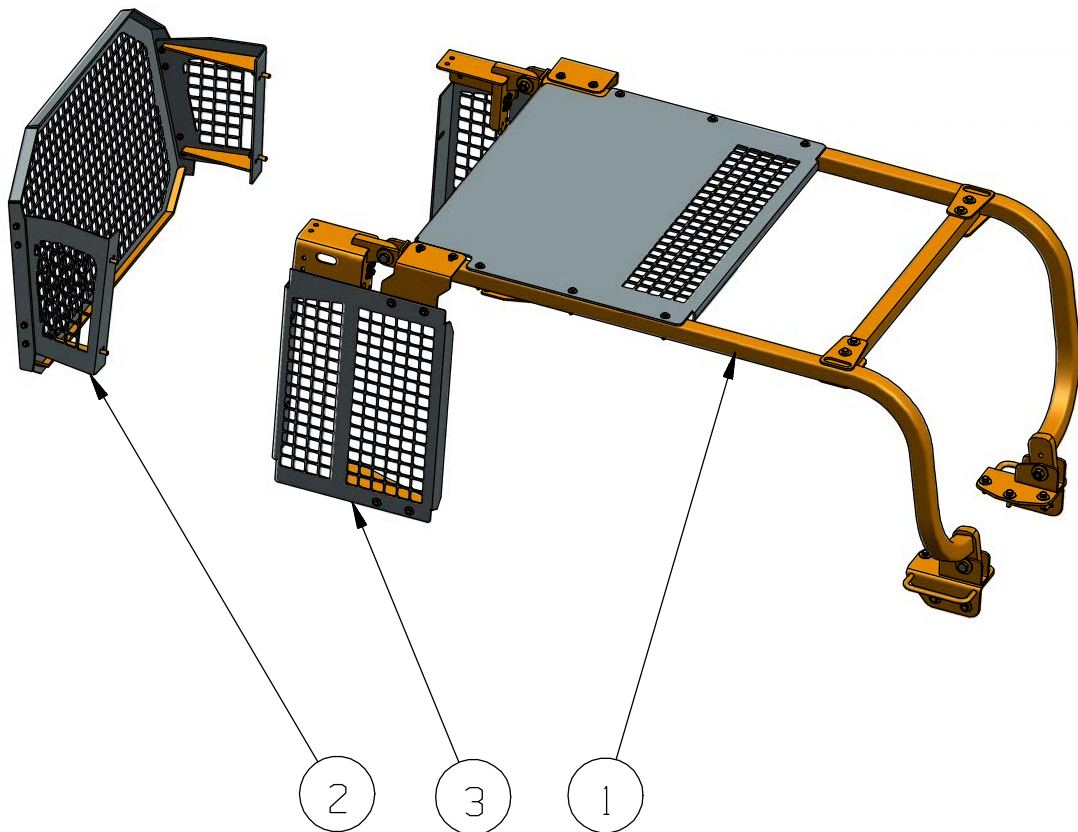
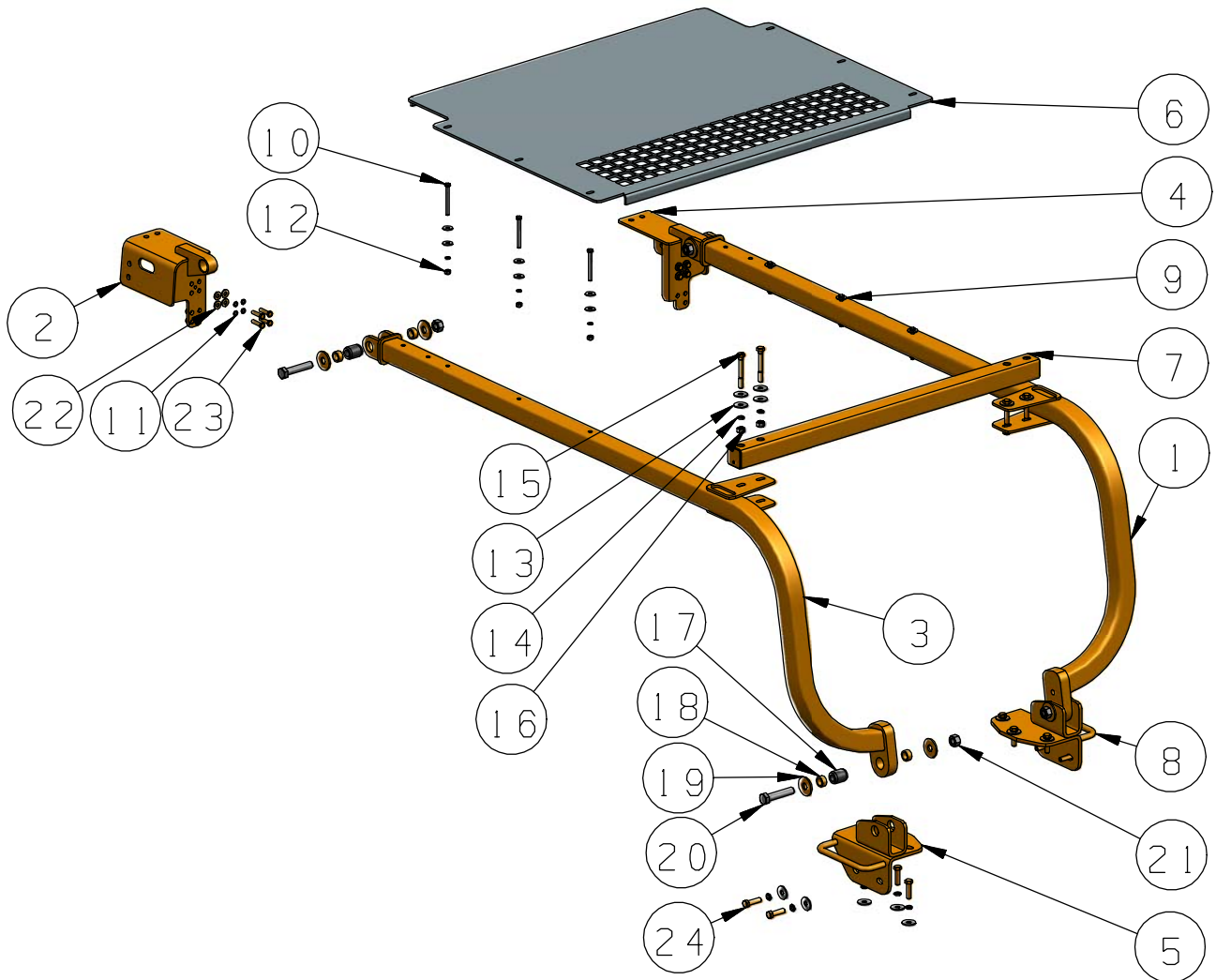


PROTECTION SYS (D6N-2)



3	B274-1300-0	SCREEN GP-WINDOWS	1
2	167-1466B	SCREEN GP-(D5N;D6N;D6N-2)	1
1	274-1300B	SWEEP GP-(D6N-2)	1
PC NO	PART NO.	PART NAME	QTY

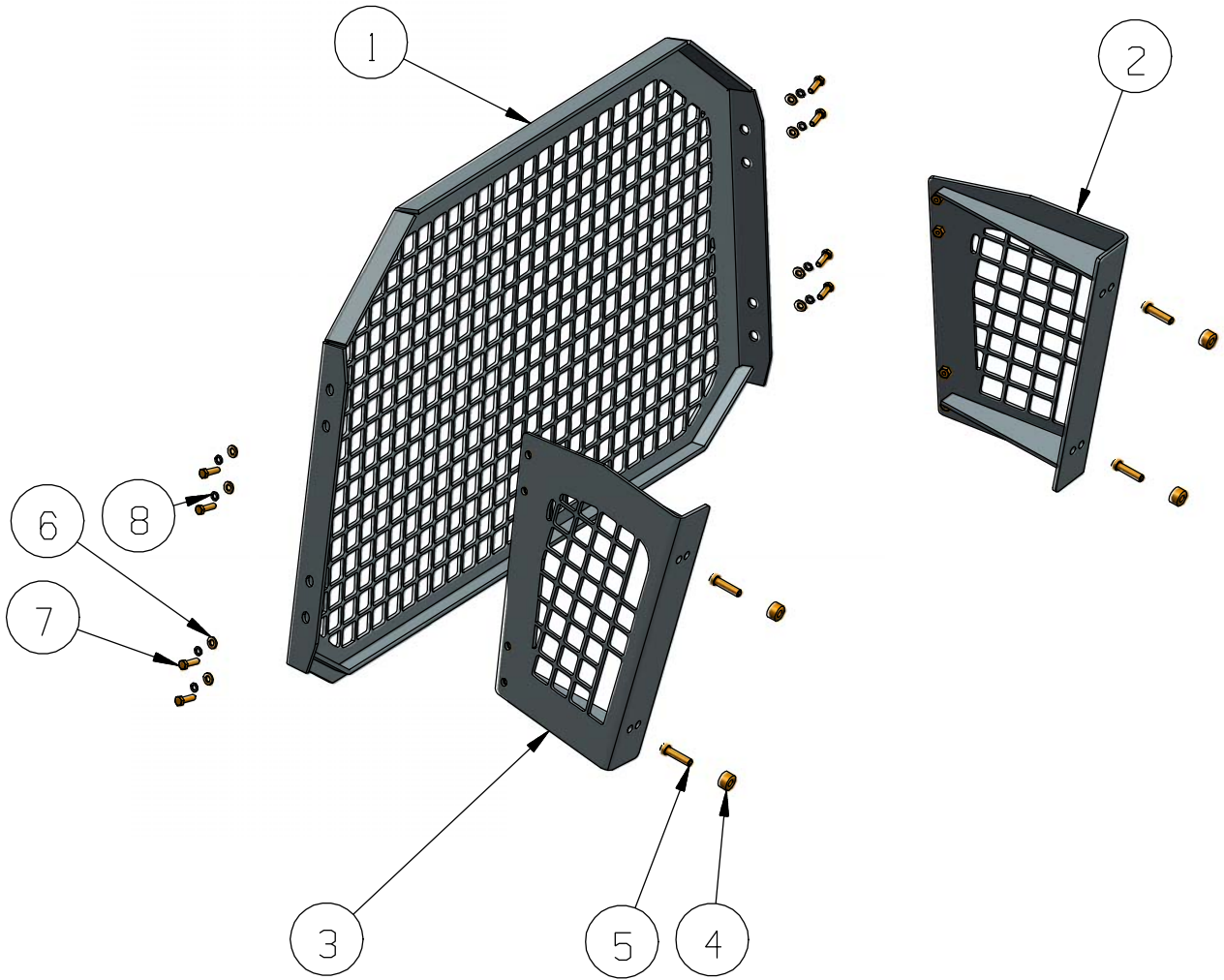
**SWEEP GP
B274-1300 (D6N-2)**



16	B6170F-16	NUT (M16)	4
15	8T-4174B	BOLT (M16x120)	4
14	B93-16	SPRING WASHER (16)	14
13	B96.2-16	BIG WASHER (16)	18
12	B6170F-12	NUT (M12)	6
11	B93-12	SPRING WASHER (12)	14
10	B5782-12	BOLT (M12x110)	6
9	B96.2-12	BIG WASHER (12)	12
8	399-1117B	BRACKET AS.-FRONT (LH)	1
7	287-0289B	TUBE AS.	1
6	B274-1300-3	PLATE-TOP PROTECTION	1
5	399-1116B	BRACKET AS.-FRONT (RH)	1
4	287-6920B	BRACKET AS.-LH	1
3	285-5031B	SWEEP AS.-RH	1
2	287-6948B	BRACKET AS.-RH	1
1	285-5032B	SWEEP AS.-LH	1
PC NO	PART NO.	PART NAME	QTY

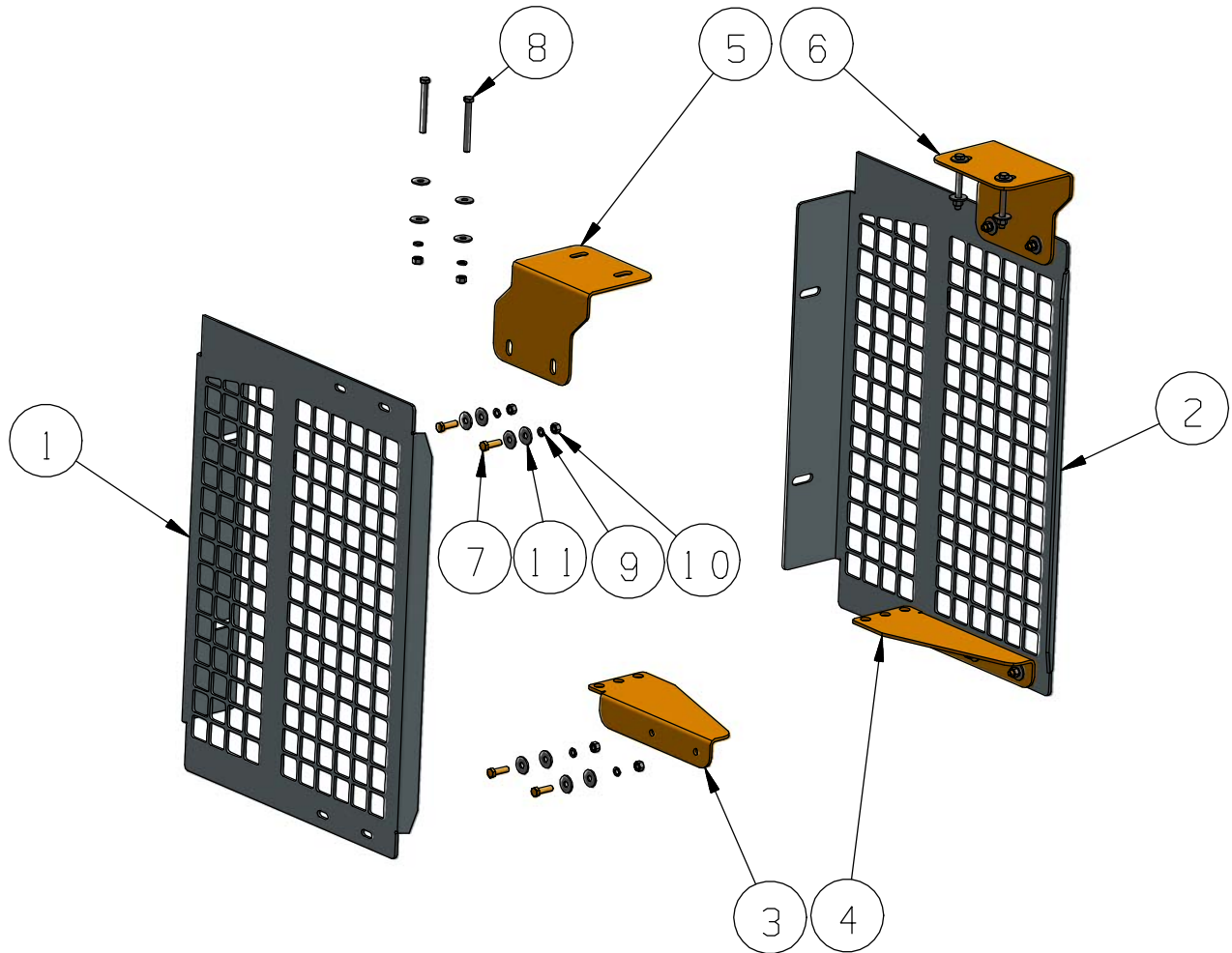
24	8T-4140B	BOLT (M16x60)	10
23	8T-4194B	BOLT (M12x50)	8
22	5P-1076B	WASHER (12)	8
21	B6170F-24	NUT (M24)	4
20	B5782-24	BOLT (M24x120)	4
19	B329-9650	PLATE (26x70x6)	8
18	B001	BUSH (38x28x18)	8
17	B9S-5187	MOUNTING-RUBBER	4
PC NO	PART NO.	PART NAME	QTY

SCREEN GP - (D5N, D6N; D6N-2) 167-1466B



8	B93-12	SPRING WASHER 12	8
7	8T-4183B	BOLT (M12x40)	8
6	8T-4223B	WASHER (12)	8
5	8T-4140B	BOLT (M16x60)	4
4	8G-5258B	SPACER (17x35x20)	4
3	195-8422B	BRAKET -RH	1
2	195-8421B	BRAKET -LH	1
1	195-8430B	SCREEN AS.	1
PC NO	PART NO.	PART NAME	QTY

PROTECTION GP-WINDOWS B274-1300-0(D6N-2)



11	B96.2-12	BIG WASHER (12)	24
10	B6170-12	NUT (M12)	12
9	B93-12	SPRING WASHER (12)	12
8	B5782-12-110	BOLT (M12x110)	4
7	8T-4183B	BOLT (M12x40)	8
6	B274-1300-2	BRACKET-LH	1
5	B274-1300-1	BRACKET-RH	1
4	B5002-4004	SUPPORT PLATE-RH	1
3	B5002-4005	SUPPORT PLATE-LH	1
2	B5002-4002	SCREEN -LH	1
1	B5002-4001	SCREEN-RH	1
PC NO	PART NO.	PART NAME	QTY