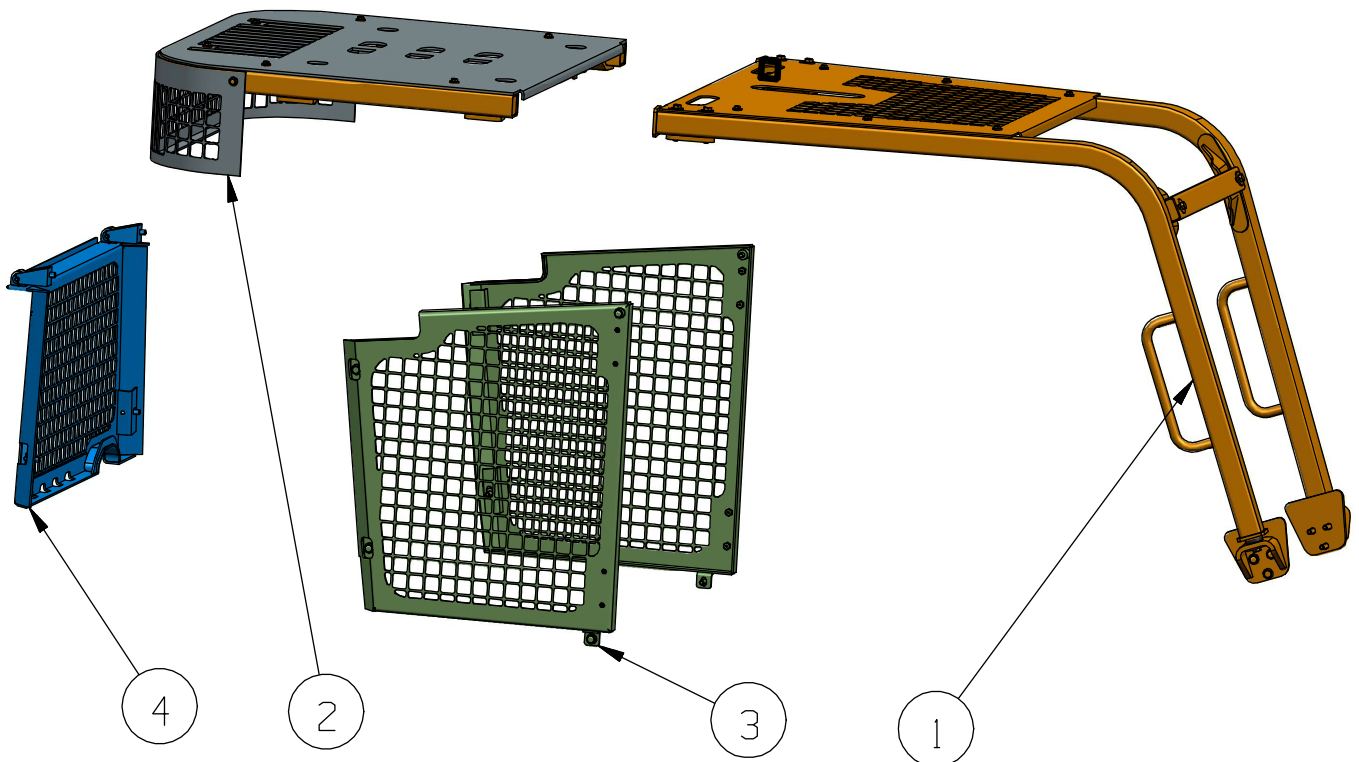
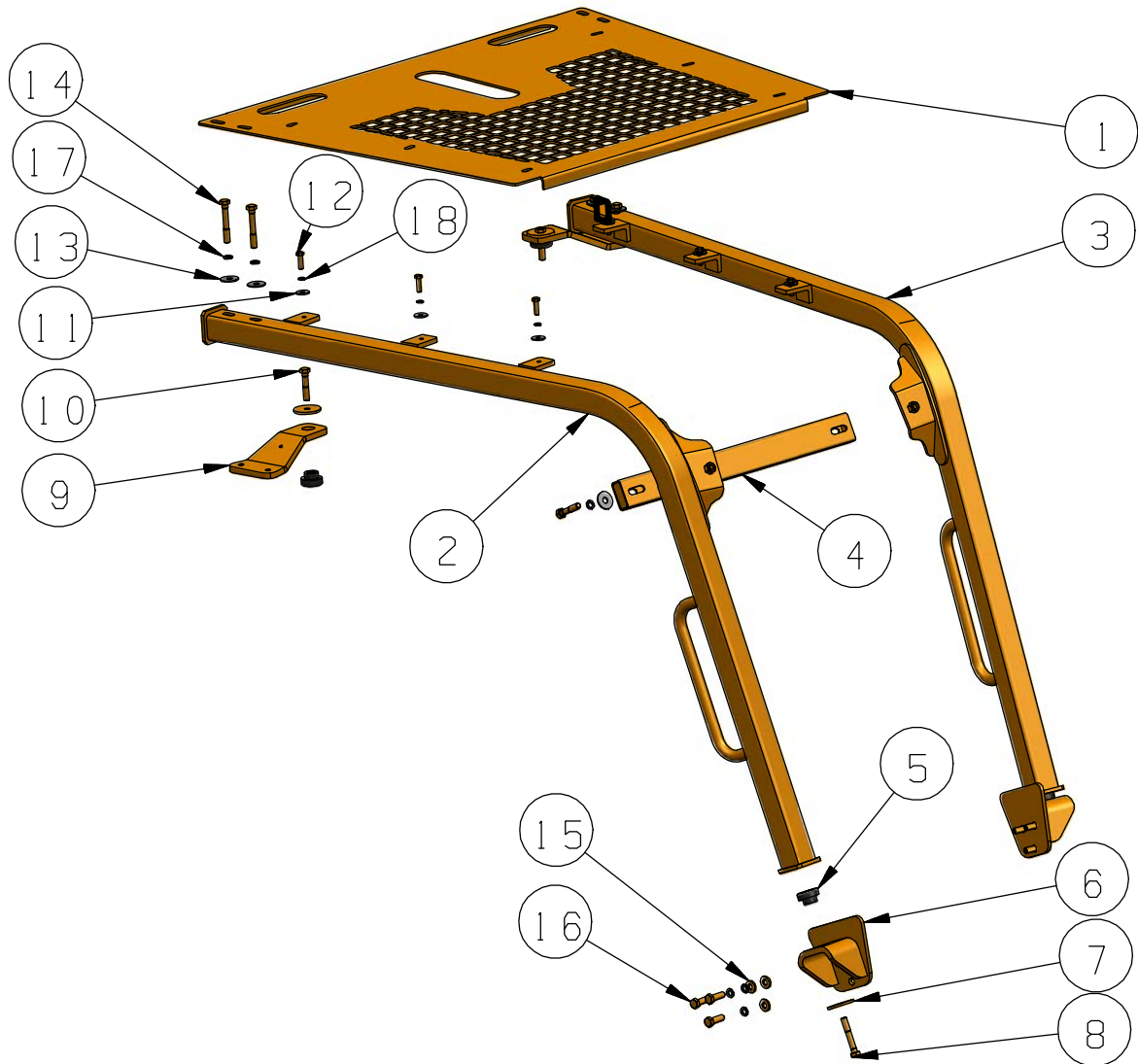


PROTECTION SYS (D6K)



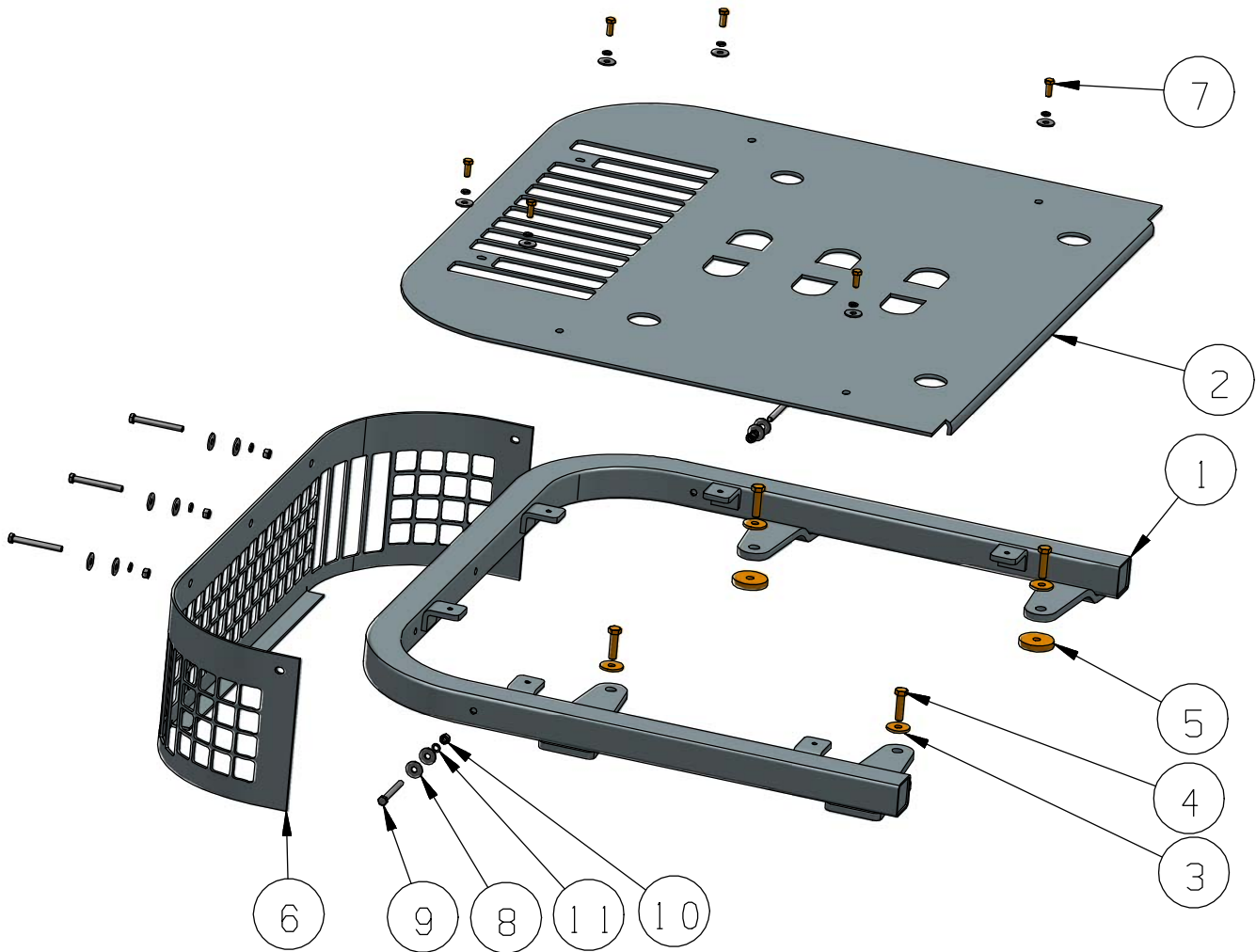
4	250-1698B	SCREEN GP-REAR	1
3	250-1699B	SCREEN GP-SIDES	1
2	244-7468B	SWEEP GP-REAR	1
1	B250-1700	SWEEP GP-FORNT	1
PC NO	PART NO.	PART NAME	QTY

SWEEP GP-FRONT (D6K) B250-1700



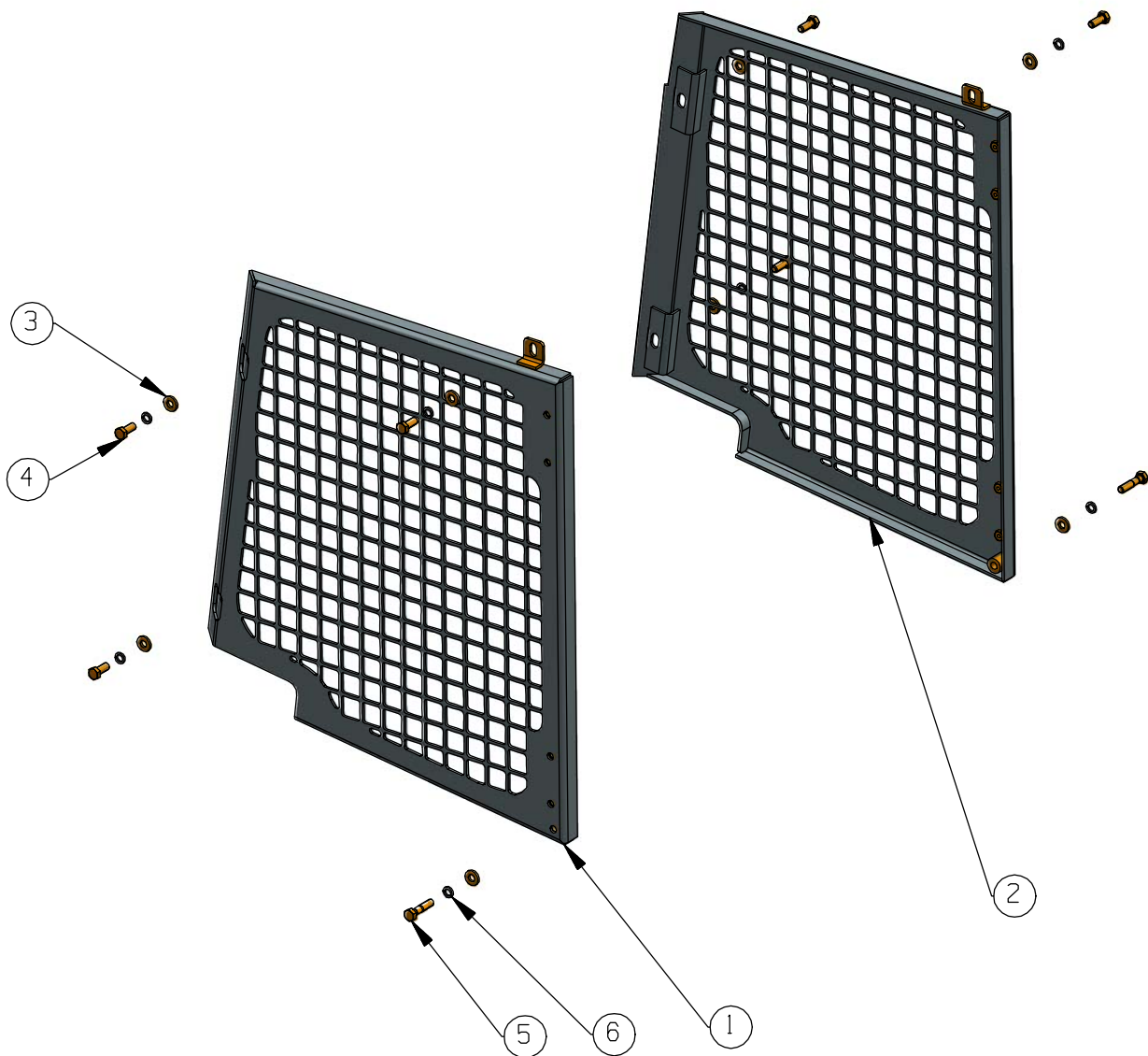
18	B93-12	SPRING WASHER (12)	6
17	B93-16	SPRING WASHER (16)	12
16	8T-4193B	BOLT (M16x50)	6
15	7X-0515B	WASHER (16)	6
14	8T-4173B	BOLT (M16x110)	4
13	B96.2-16	BIG WASHER (16)	6
12	8T-4183B	BOLT (M12x40)	6
11	B96.2-12	BIG WASHER (12)	6
10	7X-2555B	BOLT (M16x80)	4
9	253-0578B	PLATE	2
8	7X-2556B	BOLT (M16x100)	2
7	5V-0500B	WASHER (16.5x75x6)	4
6	250-1714B	SUPPORT AS.	2
5	B263-6689	MOUNT-RUBBER	4
4	B250-1703	TUBE	1
3	B277-6038	TUBE AS. -LEFT	1
2	B277-6037	TUBE AS. -RIGHT	1
1	B250-1700-1	TOP PLATE-FRONT	1
PC NO	PART NO.	PART NAME	QTY

SWEEP GP. (REAR)
244-7468B - (D4K; D5K; D6K; D6K-2B; D6K-2C)



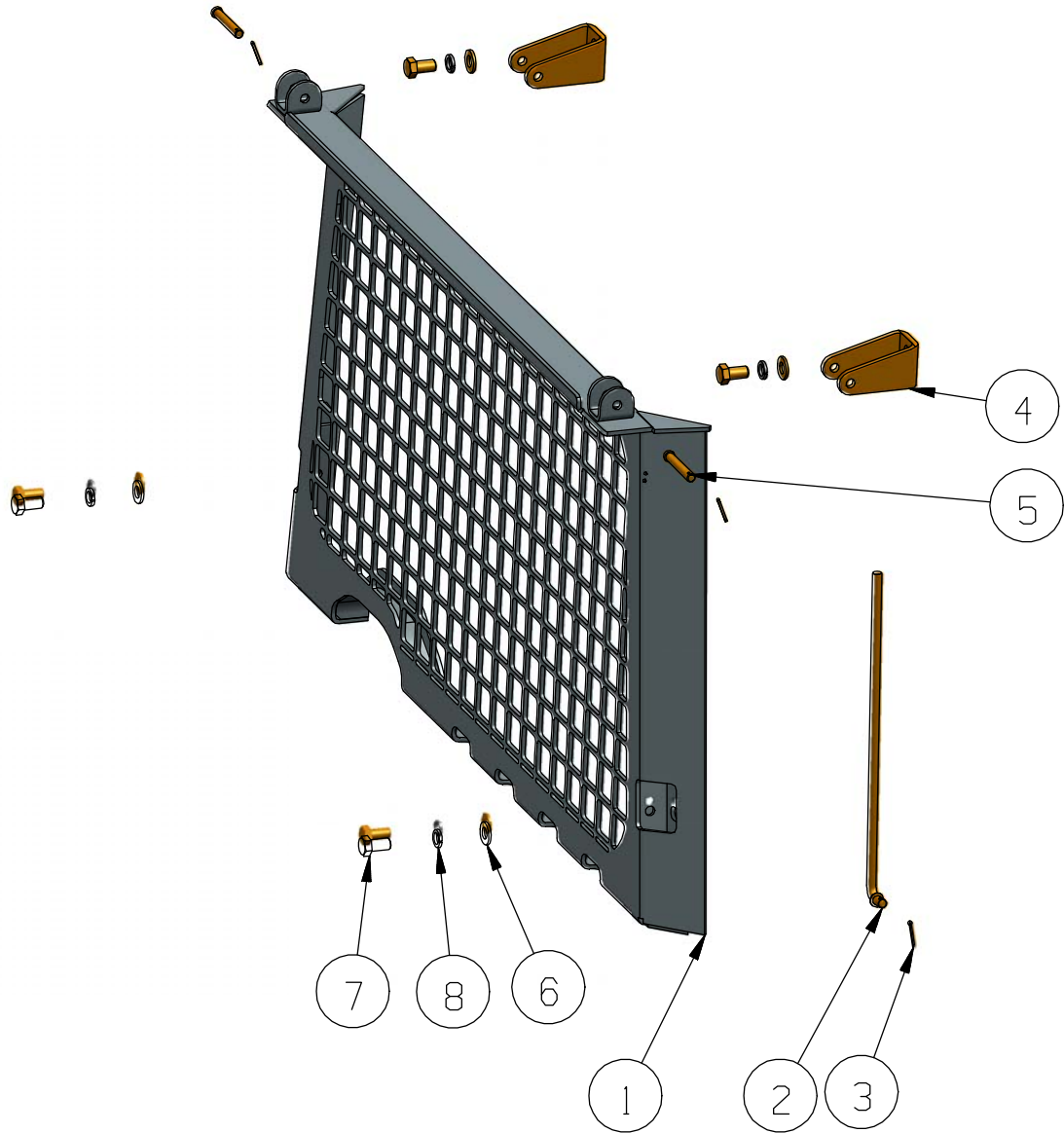
11	B93-12	SPRING WASHER (I2)	11
10	B6170-12	NUT (M12)	5
9	B5782-12	BOLT (M12x110)	5
8	B96.2-12	BIG WASHER (I2)	16
7	8T-4139B	BOLT (M12x30)	6
6	B244-7468-2	PROTECTION-BACK	1
5	3T-6742B	RETAINER (D75xd17x16)	4
4	8T-4140B	BOLT - (M16x60)	4
3	3V-9244B	WASHER (D50xd17x6)	4
2	B244-7468-1	TOP PROTECTIVE PLATE	1
1	260-9293B	SWEEP AS. (REAR)	1
PC NO	PART NO.	PART NAME	QTY

SCREEN 6P PROTECTION-SIDES
250-1699B (D5K, D6K; D6K-2B;D6K-2C)



6	B93-16	SPRING WASHER (16)	8
5	7X-2554B	BOLT (M16x70)	2
4	7X-2553B	BOLT (M16x40)	6
3	7X-0515B	WASHER (16)	8
2	252-0553B	SCREEN AS. LH	1
1	252-0552B	SCREEN AS. RH	1
PC NO	PART NO.	PART NAME	QTY

SCREEN 6P-REAR 250-1698B (D6K; D6K-2B; D6K-2C)



8	B93-16	SPRING WASHER (16)	4
7	7X-2552B	BOLT (M16x30)	4
6	8T-4122B	WASHER (16)	4
5	6S-9277B	PIN	2
4	252-6803B	HINGE	2
3	3B-4618B	COTTER PIN (3.2x20)	3
2	252-5459B	ROD AS.	1
1	252-6802B	SCREEN AS.	1
PC NO	PART NO.	PART NAME	QTY