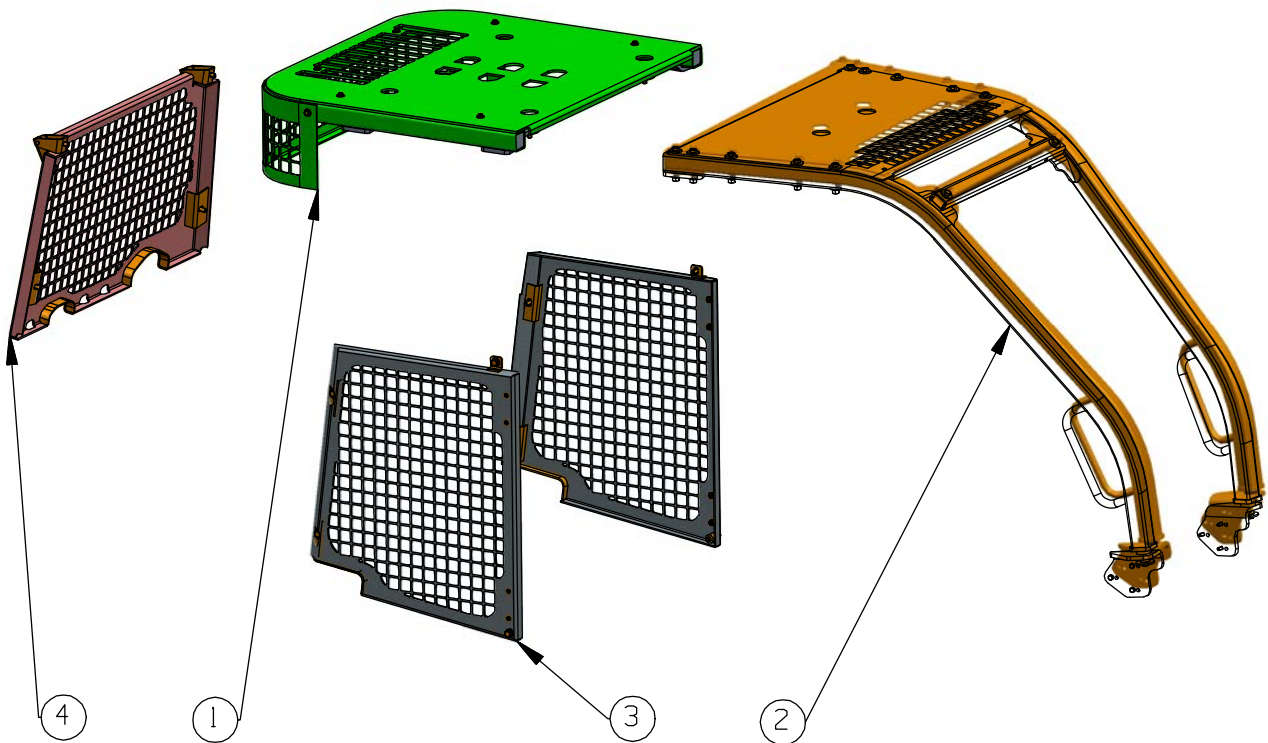
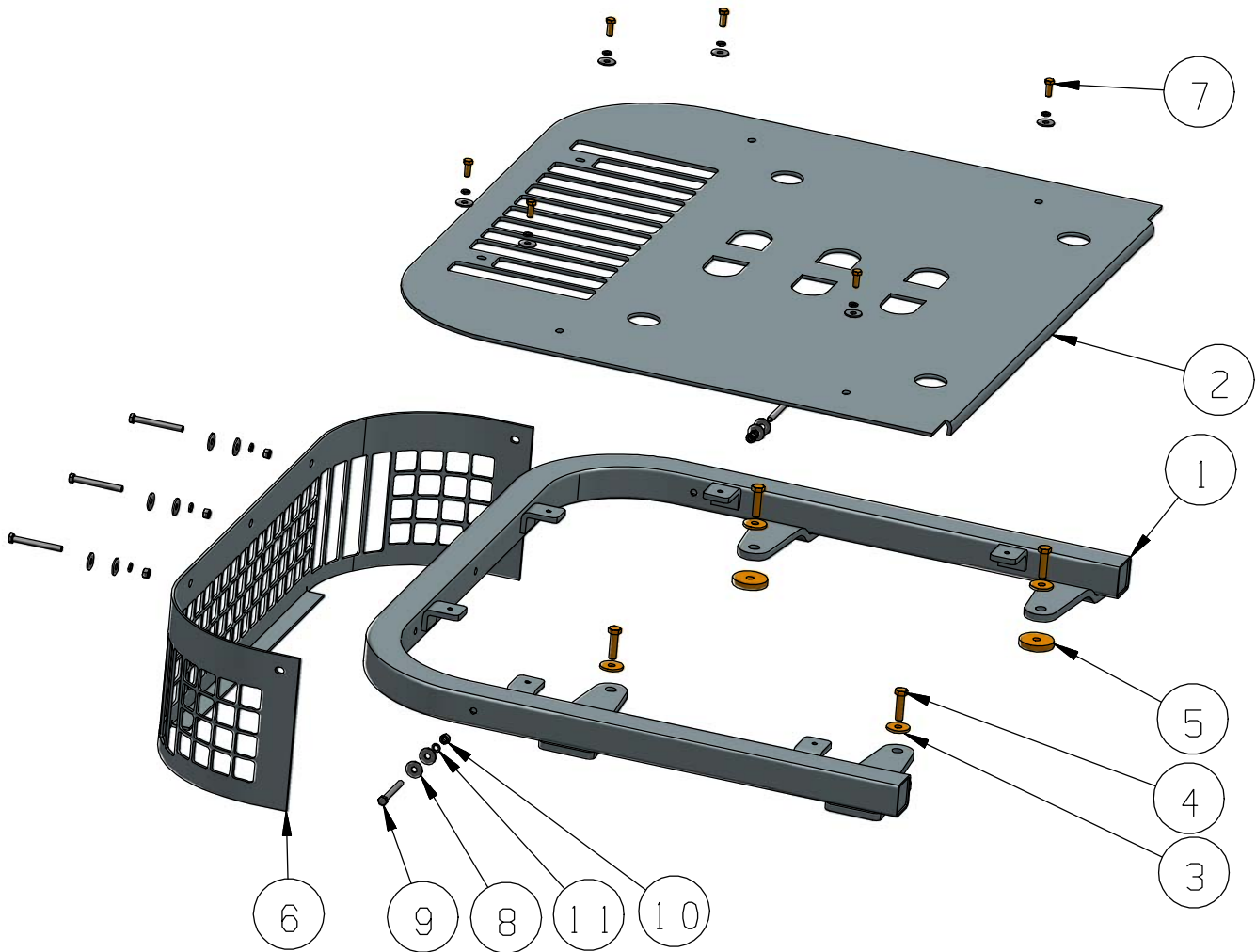


PROTECTION SYS (D4K;D5K)



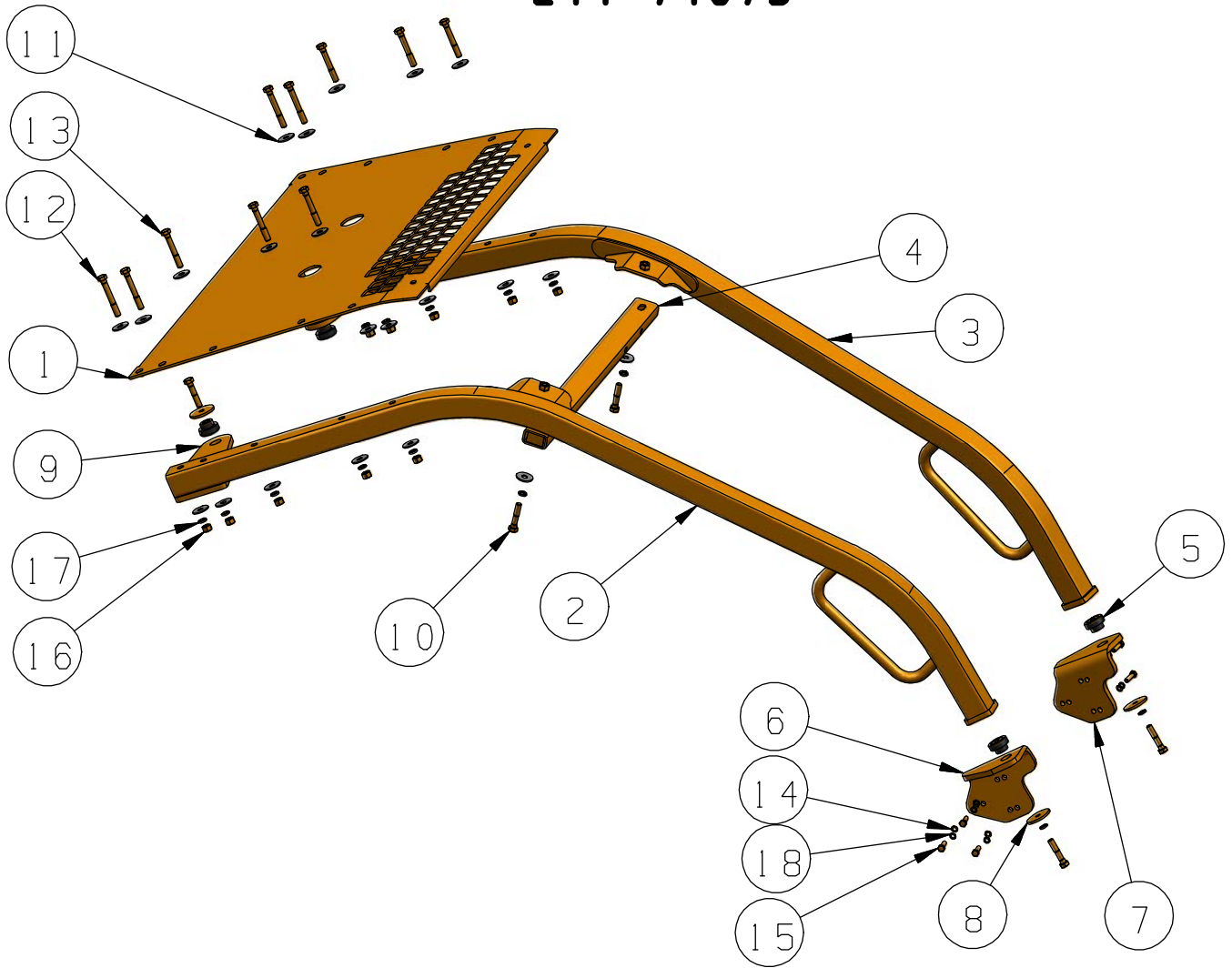
4	272-9780B	SCREEN GP-REAR (D4K;D5K)	1
3	250-1699B	SCREEN GP-SIDE (D4K;D5K;D6K;D6K-2B;D6K-2C)	1
2	244-7467B	SWEEP GP -FRONT (D4K;D5K)	1
1	244-7468B	SWEEP GP -REAR (D4K;D5K;D6K;D6K-2B;D6K-2C)	1
PC NO	PART NO.	PART NAME	QTY

SWEEP GP. (REAR)
244-7468B - (D4K; D5K; D6K; D6K-2B; D6K-2C)



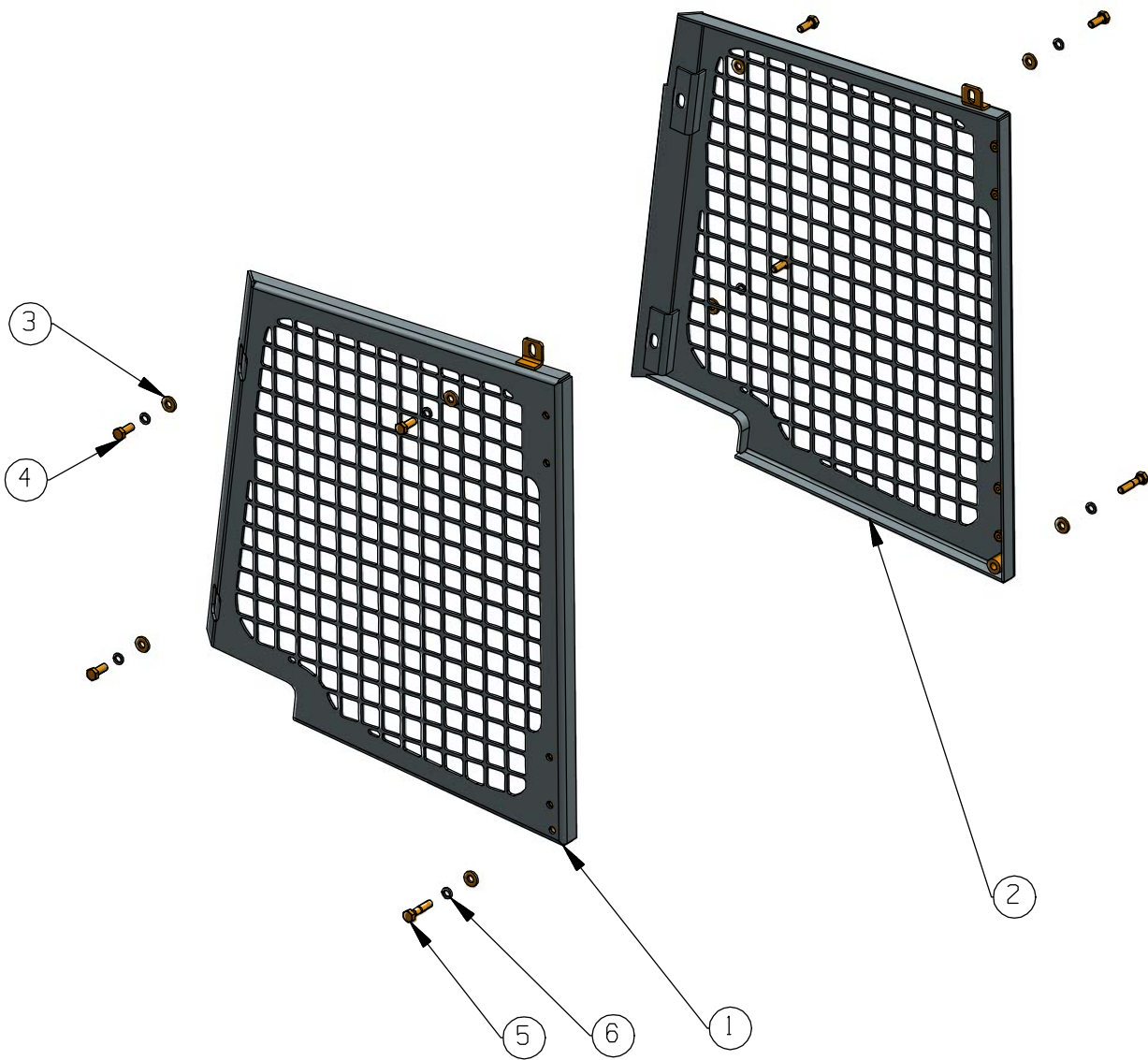
11	B93-12	SPRING WASHER (I2)	11
10	B6170-12	NUT (M12)	5
9	B5782-12	BOLT (M12x110)	5
8	B96.2-12	BIG WASHER (I2)	16
7	8T-4139B	BOLT (M12x30)	6
6	B244-7468-2	PROTECTION-BACK	1
5	3T-6742B	RETAINER (D75xd17x16)	4
4	8T-4140B	BOLT - (M16x60)	4
3	3V-9244B	WASHER (D50xd17x6)	4
2	B244-7468-1	TOP PROTECTIVE PLATE	1
1	260-9293B	SWEEP AS. (REAR)	1
PC NO	PART NO.	PART NAME	QTY

SWEEP GP-FRONT (D5K)
244-7467B



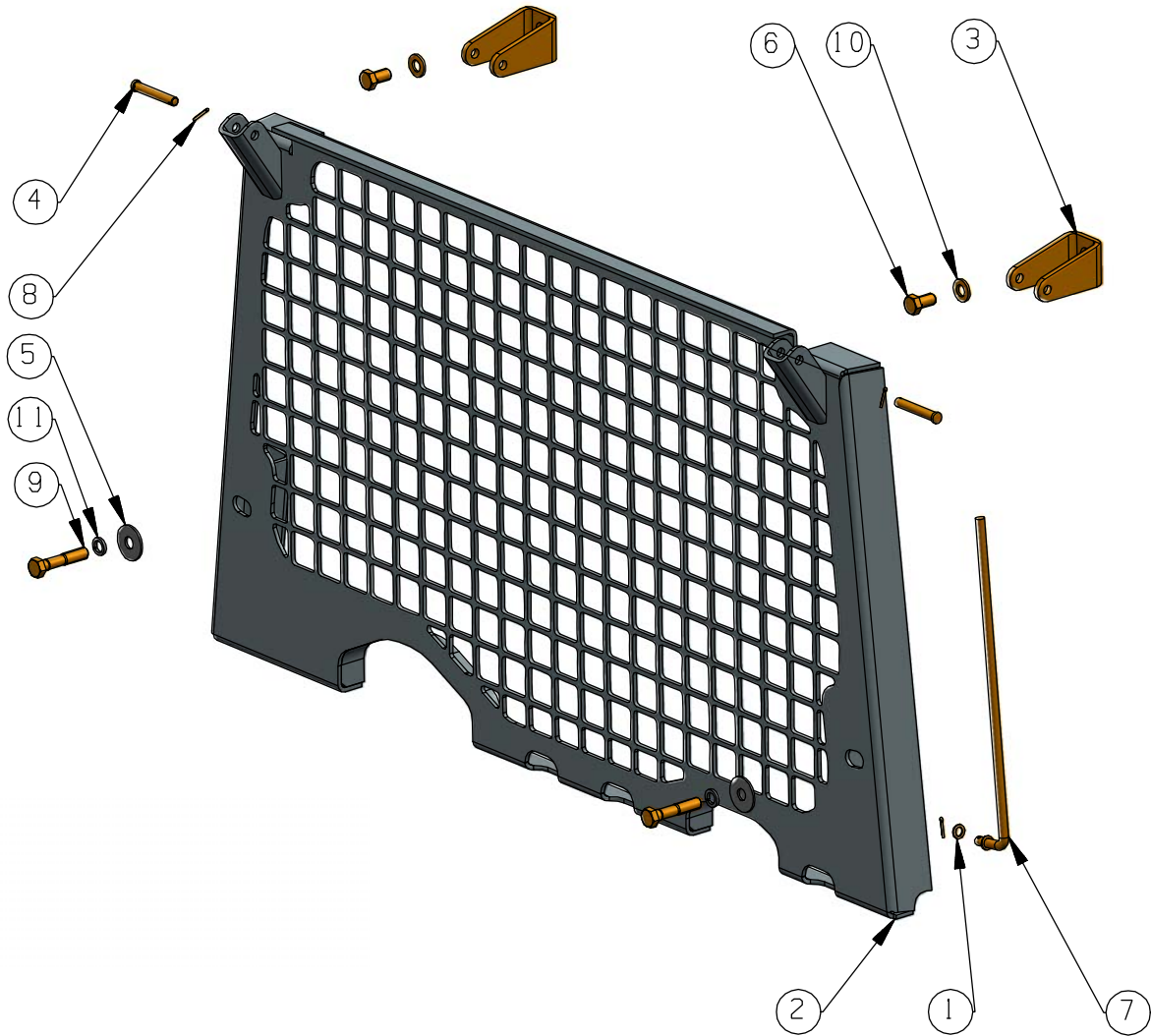
18	B93-12	SPRING WASHER (12)	6
17	B93-16	SPRING WASHER (16)	14
16	B6170-16	NUT (M16x2)	10
15	8T-4183B	BOLT (M12x40)	6
14	7X-0599B	WASHER (12)	6
13	8T-4173B	BOLT (M16x110)	6
12	8T-4174B	BOLT (M16x120)	4
11	B96.2-16	BIG WASHER (16)	22
10	7X-2555B	BOLT (M16x80)	6
9	260-9291B	PLATE	2
8	5V-0500B	WASHER (75x16.5x6)	4
7	342-9790B	SUPPORT -LH	1
6	342-9789B	SUPPORT-RH	1
5	B263-6689	RUBBER BUSH	4
4	306-5053B	TUBE AS.	1
3	306-5054B	SWEEP AS.-LH	1
2	306-8892B	SWEEP AS.-RH	1
1	B244-7467-1	TOP PROTECTIVE PLATE	1
PC NO	PART NO.	PART NAME	QTY

**SCREEN 6P PROTECTION-SIDES
250-1699B (D5K, D6K; D6K-2B;D6K-2C)**



6	B93-16	SPRING WASHER (16)	8
5	7X-2554B	BOLT (M16x70)	2
4	7X-2553B	BOLT (M16x40)	6
3	7X-0515B	WASHER (16)	8
2	252-0553B	SCREEN AS. LH	1
1	252-0552B	SCREEN AS. RH	1
PC NO	PART NO.	PART NAME	QTY

**SCREEN 6P PROTECTION
272-97808 (D5K)**



11	B93-16	SPRING WASHER (16)	2
10	8T-4122B	WASHER (16)	2
9	7X-2555B	BOLT (M16x80)	2
8	3B-4615B	COTTER PIN (3.2x20)	3
7	377-1439B	ROD AS.	1
6	7X-2552B	BOLT (M16x30)	2
5	B96.2-16	BIG WASHER (16)	2
4	6S-9277B	PIN	2
3	252-6803B	HINGE	2
2	377-1440B	SCREEN AS.	1
1	7X-0599B	WASHER (12)	1
PC NO	PART NO.	PART NAME	QTY