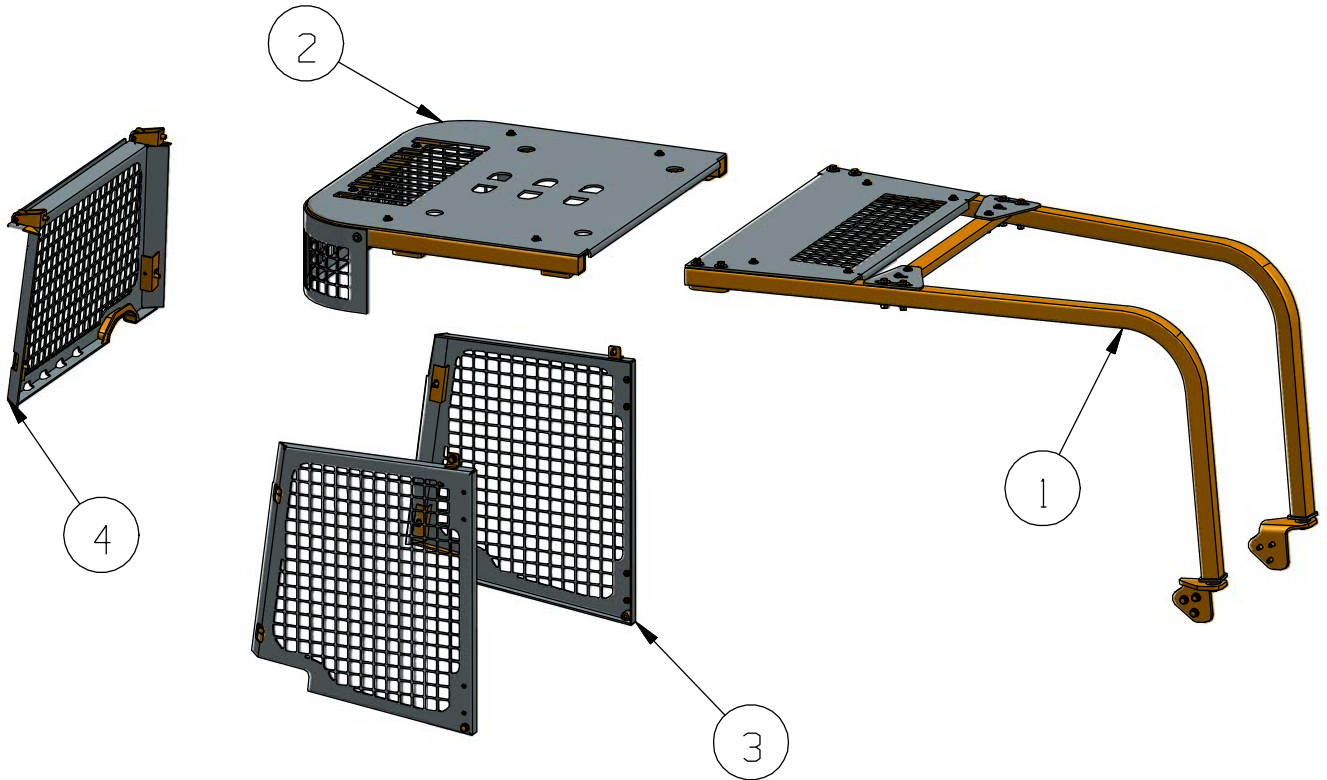
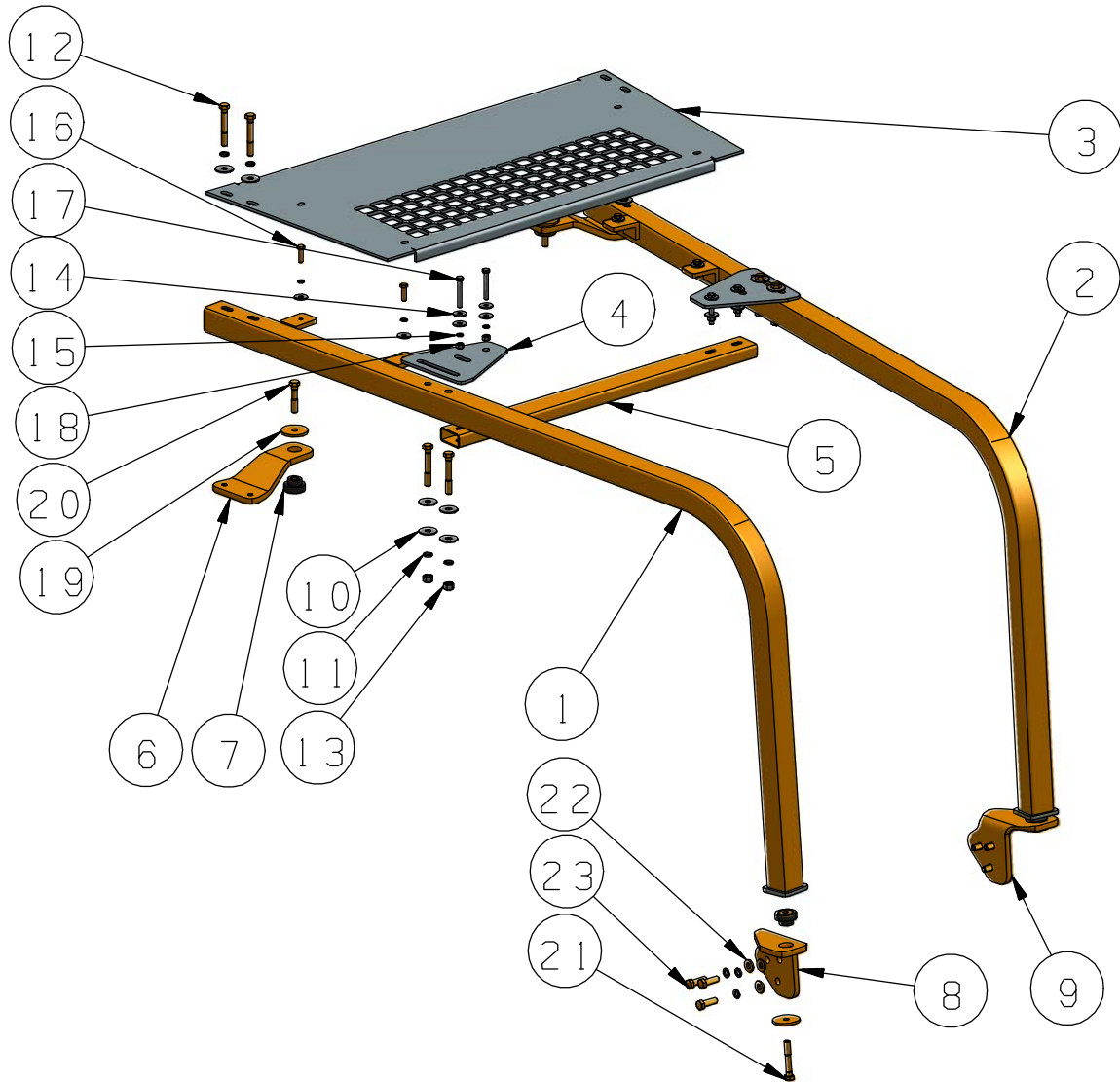


D6K-2C - PROTECTION SYS



4	250-1698B	SCREEN GP - REAR (D6K; D6K-2B; D6K-2C)	1
3	250-1699B	SCREEN GP - SIDE (D4K; D5K; D6K; D6K-2B; D6K-2C)	1
2	244-7468B	SWEEP GP - REAR (D4K; D5K; D6K; D6K-2B; D6K-2C)	1
1	439-2579B	SWEEP GP - FRONT	1
PC NO	PART NO.	PART NAME	QTY

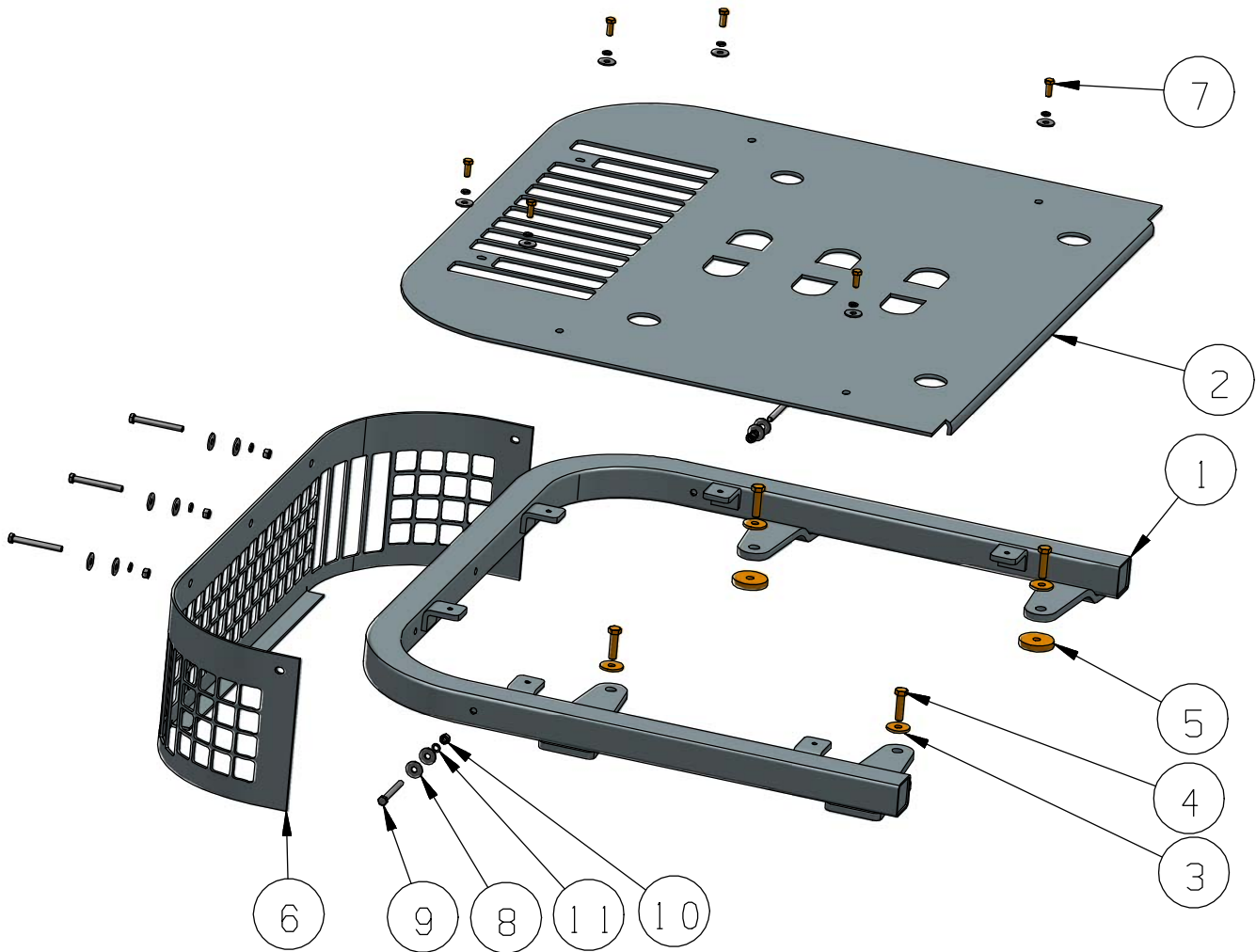
SWEEP GP-FRONT - (D6K-2C) (439-2579B)



23	8T-4193B	BOLT (M16x50)	6
22	7X-0515B	WASHER (16)	6
21	7X-2556B	BOLT (M16x100)	2
20	7X-2555B	BOLT (M16x80)	2
19	5V-0500B	WASHER (16.5x75x6)	4
18	B6170F-12	NUT (M12)	4
PC NO	PART NO.	PART NAME	QTY

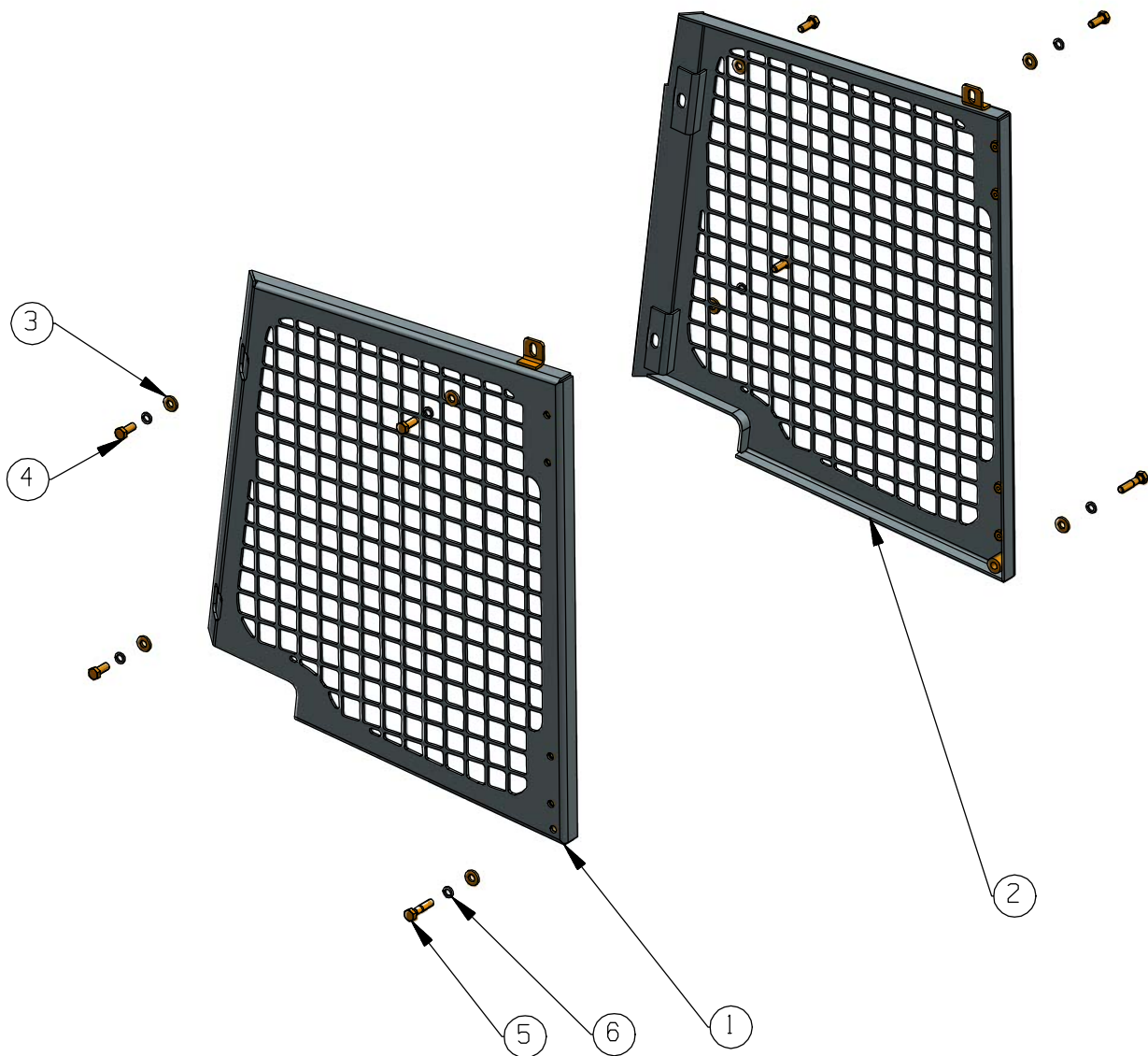
17	B5782-12-80	BOLT (M12x80)	4
16	8T-4183B	BOLT (M12x40)	4
15	B93-12	SPRING WASHER (12)	8
14	B96.2-12	BIG WASHER (12)	12
13	B6170F-16	NUT (M16)	4
12	8T-4173B	BOLT (M16x110)	8
11	B93-16	SPRING WASHER (16)	14
10	B96.2-16	BIG WASHER (16)	12
9	439-2582B	SUPPORT-LEFT	1
8	439-2581B	SUPPORT-RIGHT	1
7	B263-6689	MOUNT-RUBBER	4
6	358-4769B	PLATE-SUPPORT	2
5	358-4774B	TUBE	1
4	358-4763B	PLATE	2
3	B348-7681-1	PLATE-TOP PROTECTION	1
2	B442-4666	TUBE AS.-LEFT	1
1	B442-4665	TUBE AS.-RIGHT	1
PC NO	PART NO.	PART NAME	QTY

SWEEP GP. (REAR)
244-7468B - (D4K; D5K; D6K; D6K-2B; D6K-2C)



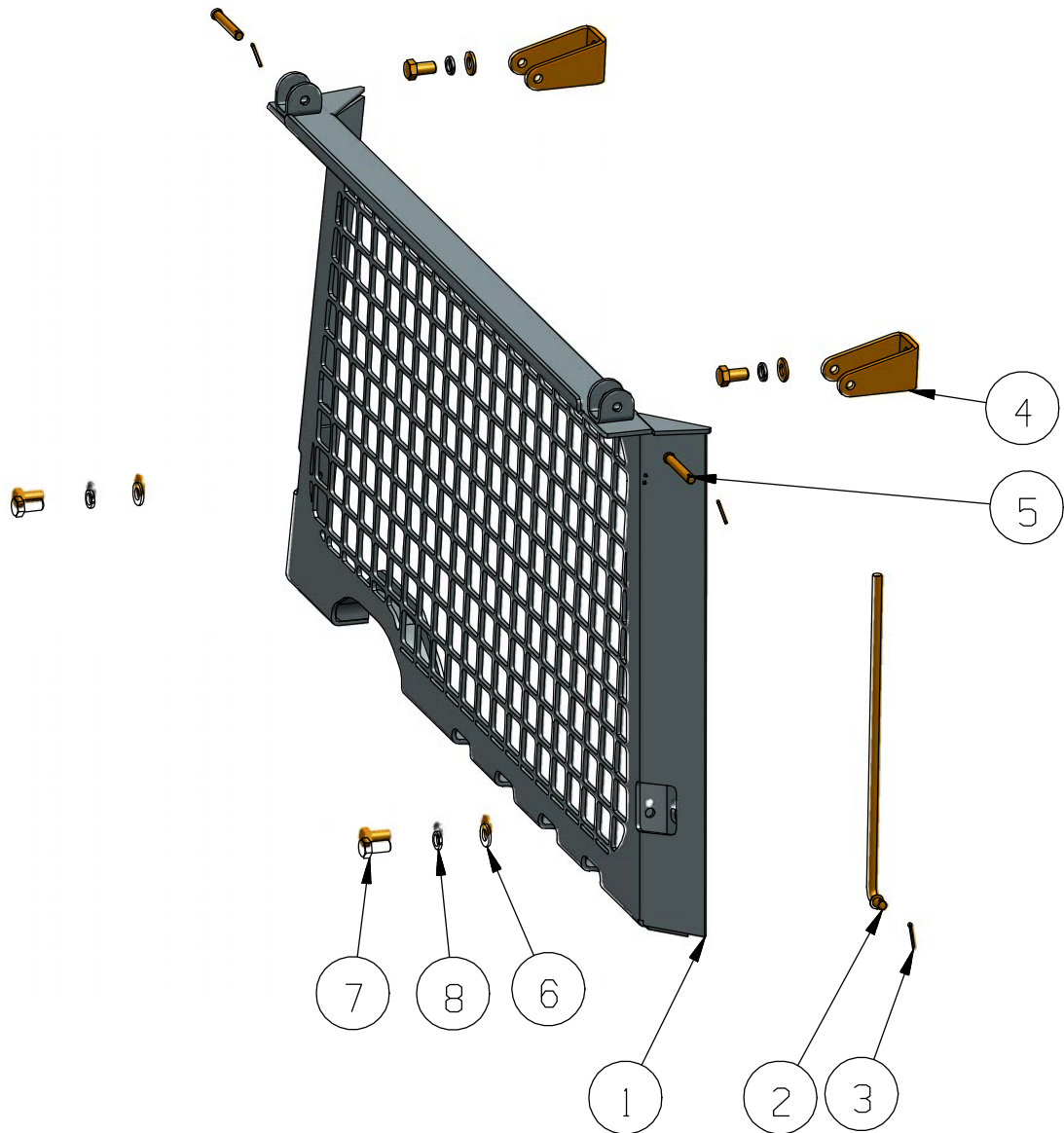
11	B93-12	SPRING WASHER (12)	11
10	B6170-12	NUT (M12)	5
9	B5782-12	BOLT (M12x110)	5
8	B96.2-12	BIG WASHER (12)	16
7	8T-4139B	BOLT (M12x30)	6
6	B244-7468-2	PROTECTION-BACK	1
5	3T-6742B	RETAINER (D75xd17x16)	4
4	8T-4140B	BOLT-(M16x60)	4
3	3V-9244B	WASHER (D50xd17x6)	4
2	B244-7468-1	TOP PROTECTIVE PLATE	1
1	260-9293B	SWEEP AS. (REAR)	1
PC NO	PART NO.	PART NAME	QTY

**SCREEN 6P PROTECTION-SIDES
250-1699B (D5K, D6K; D6K-2B;D6K-2C)**



6	B93-16	SPRING WASHER (16)	8
5	7X-2554B	BOLT (M16x70)	2
4	7X-2553B	BOLT (M16x40)	6
3	7X-0515B	WASHER (16)	8
2	252-0553B	SCREEN AS. LH	1
1	252-0552B	SCREEN AS. RH	1
PC NO	PART NO.	PART NAME	QTY

SCREEN 6P-REAR 250-1698B (D6K; D6K-2B; D6K-2C)



8	B93-16	SPRING WASHER (16)	4
7	7X-2552B	BOLT (M16x30)	4
6	8T-4122B	WASHER (16)	4
5	6S-9277B	PIN	2
4	252-6803B	HINGE	2
3	3B-4618B	COTTER PIN (3.2x20)	3
2	252-5459B	ROD AS.	1
1	252-6802B	SCREEN AS.	1
PC NO	PART NO.	PART NAME	QTY