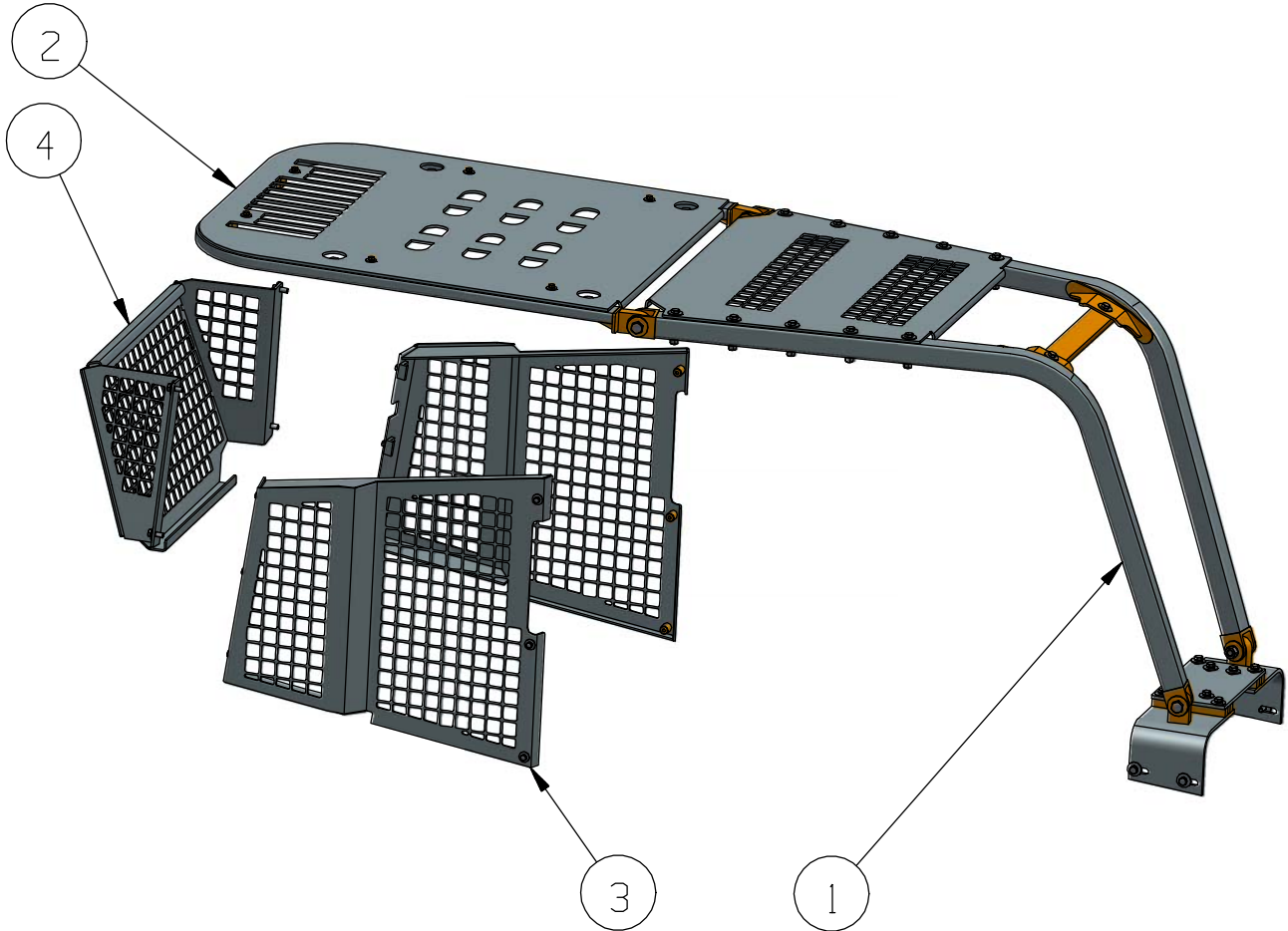
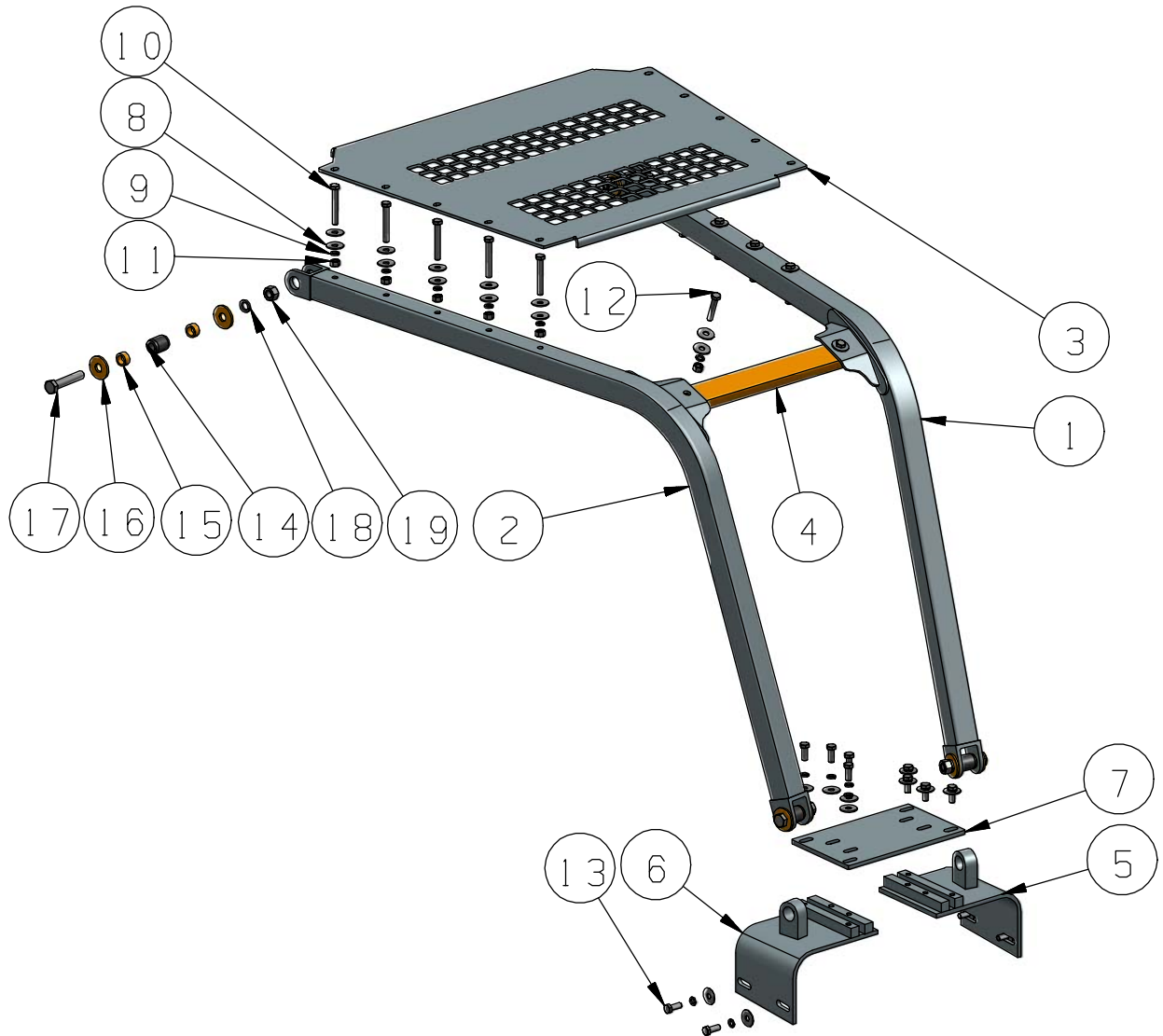


750J-PROTECTION SYS



4	750 - 4000	SCREEN GP - REAR	1
3	750 - 3000	SCREEN GP - WINDOWS	1
2	750 - 2000	SWEEP GP - REAR	1
1	750 - 1000	SWEEP GP - FRONT	1
PC NO	PART NO.	PART NAME	QTY

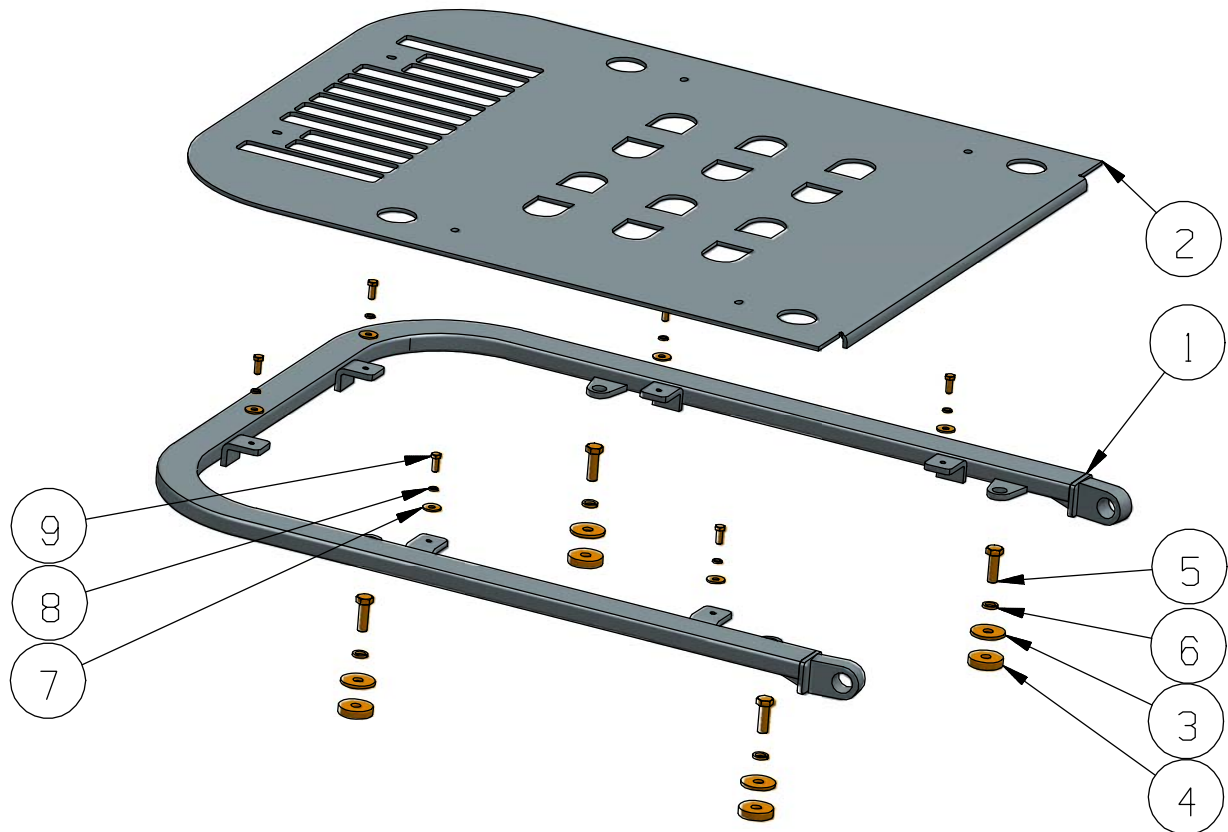
750J SWEEP GP-FORNT (750-1000)



14	B9S-5187	MOUNT-RUBBER	4
13	B5782-16-40	BOLT (M16x40)	12
12	B5782-16-80	BOLT (M16x80)	2
11	B6170-16	NUT (M16x2)	12
10	B6782-16-110	BOLT (M16x110)	10
9	B93-16	SPRING WASHER (16)	24
8	B96.2-16	BIG WASHER (16)	36
7	750-1010	PLATE-LINK	1
6	750-1007	SUPPORT AS.-RH	1
5	750-1006	SUPPORT AS.-LH	1
4	750-1004	TUBE	1
3	750-1005	PLATE-TOP	1
2	750-1002	SWEEP AS.-RH	1
1	750-1001	SWEEP AS.-LH	1
PC NO	PART NO.	PART NAME	QTY

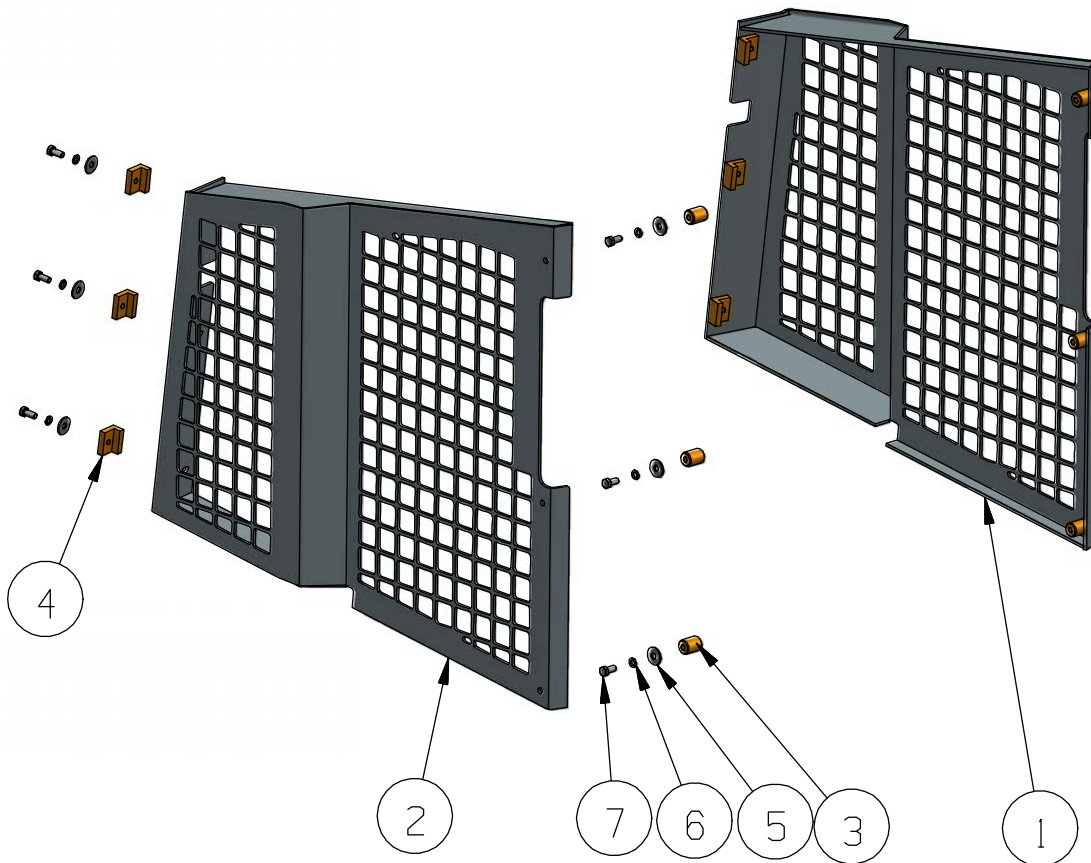
19	B6170-24	NUT (M24x3)	4
18	B93-24	SPRING WASHER (24)	4
17	B5782-24-120	BOLT (M24x120)	4
16	B329-9650	WASHER (26x70x6)	8
15	B325-7926-2	BUSH (28x38x24)	8
PC NO	PART NO.	PART NAME	QTY

750J-SWEEP GP-REAR (750-2000)



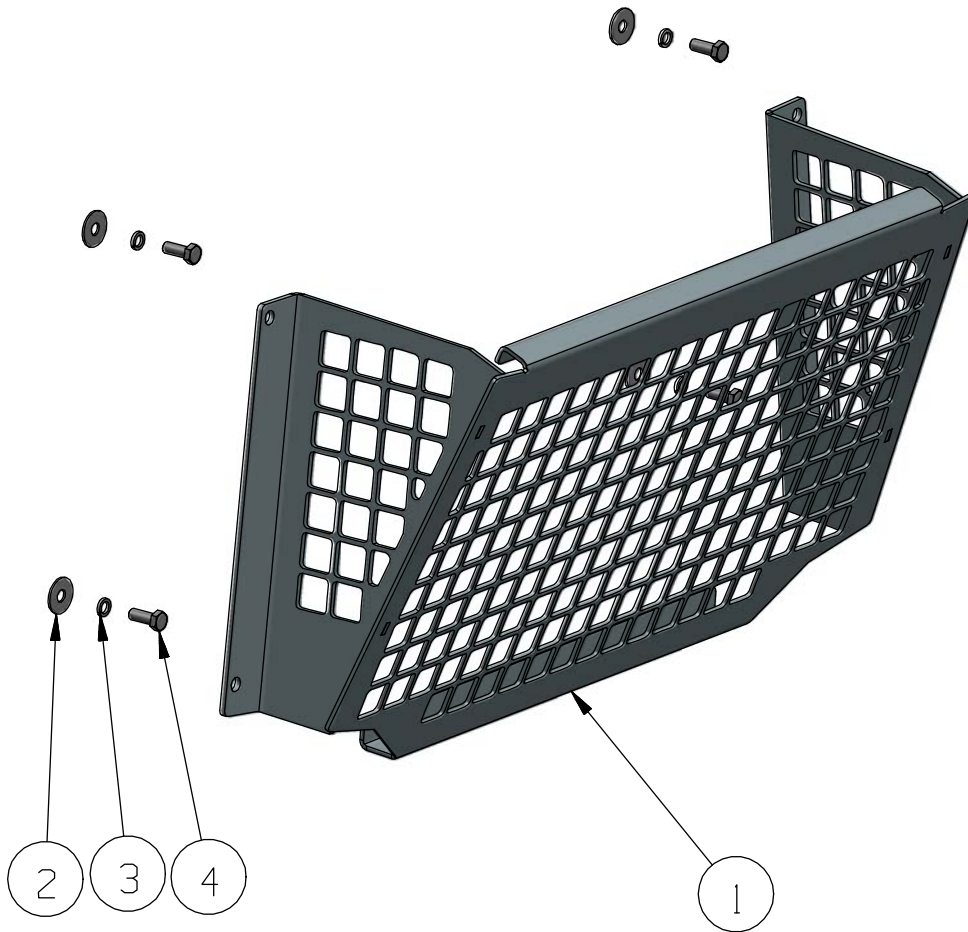
9	8T-4139B	BOLT (M12x30)	6
8	B93-12	SPRING WASHER (12)	6
7	B96.2-12	BIG WASHER (12)	6
6	GB93-87,20	SPRING WASHER (20)	4
5	B5782-20-60	BOLT (M20x60)	4
4	750-2008	WASHER (21x70x16)	4
3	750-2007	WASHER (21x70x6)	4
2	750-2006	PLATE-REAR TOP	1
1	750-2001	SWEEP AS.-REAR	1
PC NO	PART NO.	PART NAME	QTY

750J-SCREEN GP-WINDOWS (750-3000)



7	B5782-12-25	BOLT (M12x25)	12
6	B93-12	SPRING WASHER (12)	12
5	B96.2-12	BIG WASHER (12)	12
4	750-3007	SUPPORT-WELDING	6
3	750-3006	SUPPORT-WELDING	6
2	750-3000R	WINDOWS-PROTECTION-RH	1
1	750-3000L	WINDOWS-PROTECTION-LH	1
PC NO	PART NO.	PART NAME	QTY

750J-SCREEN GP-REAR (750-4000)



4	B5782-16-40	BOLT (M16×40)	4
3	B93-16	SPRING WASHER (16)	4
2	B96.2-16	BIG WASHER (16)	4
1	750-4001	SCREEN AS.-REAR	1
PC NO	PART NO.	PART NAME	QT Y