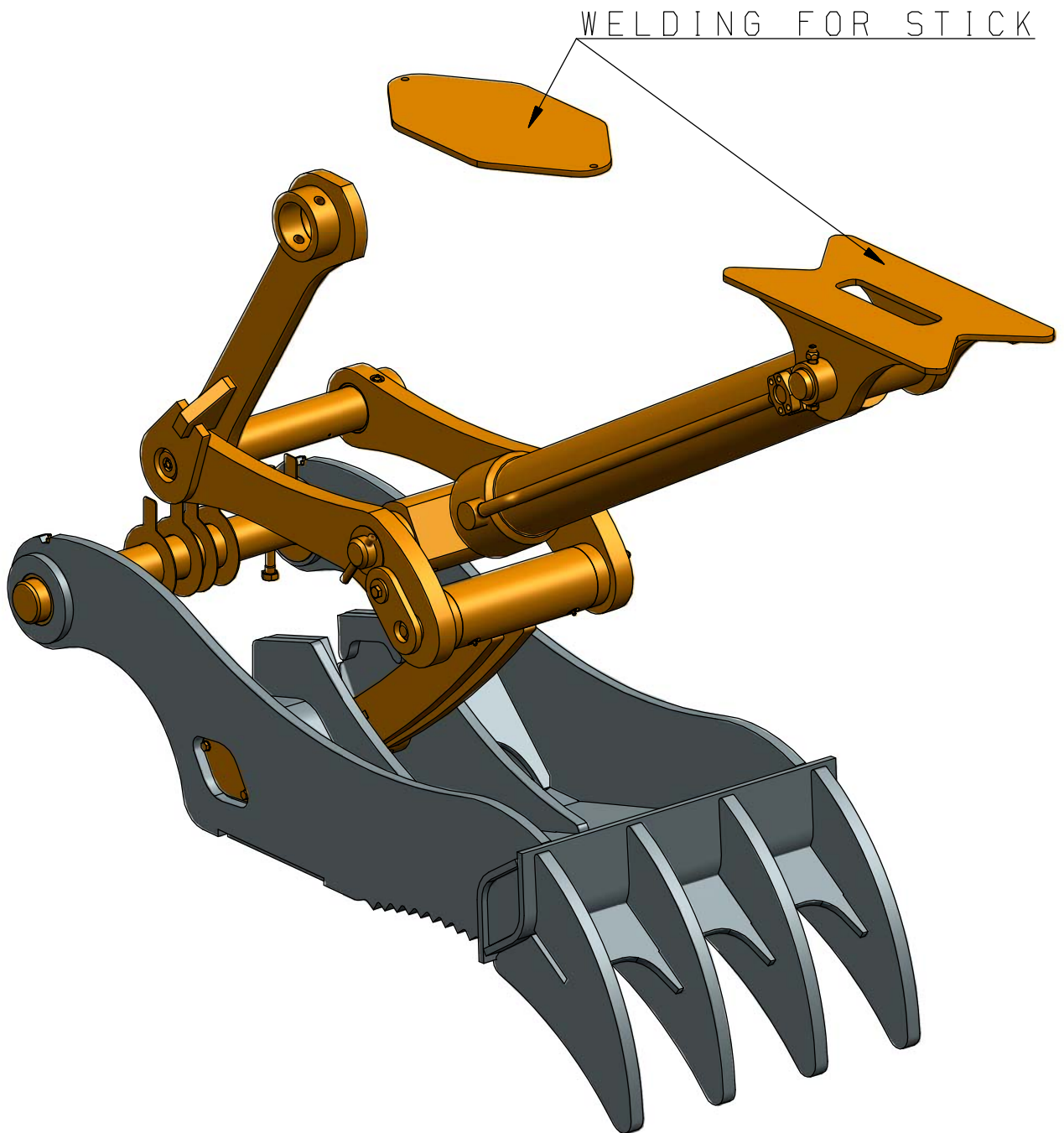
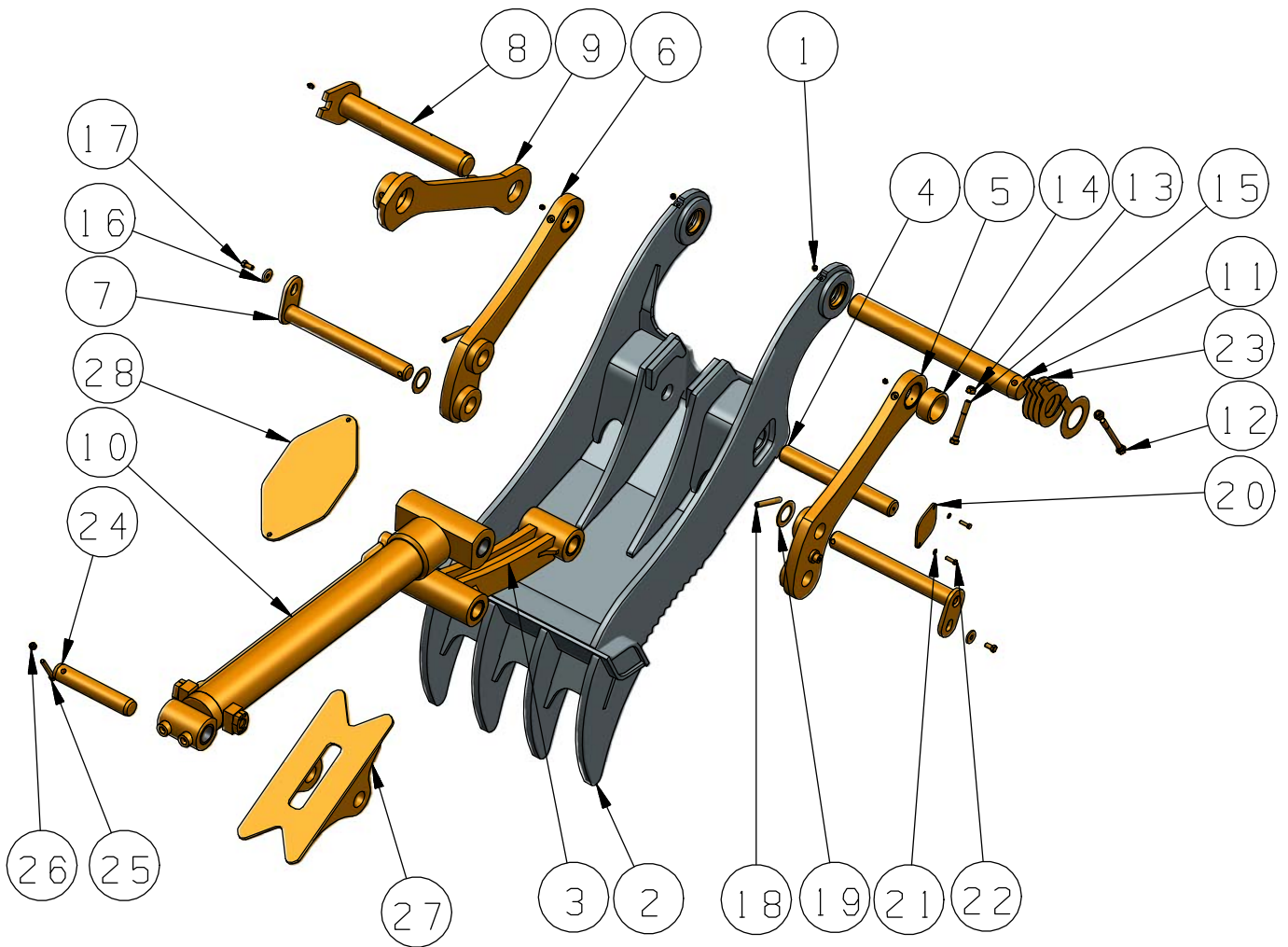


# THUMB GP (387-9684B)



# THUMB GP (387-9684B)



18	6Y-2266B	PIN	2
17	8T-4192B	BOLT (M12X1.75X25)	2
16	7X-0618B	WASHER (13.5X40X5)	2
15	8T-4174B	BOLT (M16x2-120)	1
14	157-7257B	RETAINER	1
13	8T-4778B	LOCKNUT - (M16x2)	2
12	8T-6385B	BOLT (M16x2-180)	1
11	263-1449B	PIN	1
10	390-9422B	CYLINDER GP-BASIC	1
9	160-7887B	LINK AS.	1
8	391-3824B	PIN AS.-IDLER	1
7	391-3825B	PIN AS.-CYLINDER	2
6	391-3822B	LINK AS.-IDLER	1
5	391-3821B	LINK AS.-IDLER	1
4	185-8079B	PIN	1
3	391-3823B	LINK AS.-POWER	1
2	387-9685B	THUMB AS	1
1	3B-8489B	FITTING-GREASE (1/8-27PTF)	9
PC NO	PART NO.	PART NAME	QTY

28	370-8617B	PLATE (WELDIN FOR STICK)	1
27	370-8614B	BRACKET AS(WELDING FOR STICK)	1
26	6V-7687B	LOCKNUT (M12X1.75)	1
25	7X-2549B	BOLT (M12X1.75X100)	1
24	391-3835B	PIN	1
23	391-3836B	PLATE-SHIM(USE AS REQUIRED)	5
22	8T-7547B	BOLT (M8X1.25X30)	4
21	9M-1974B	WASHER (8.8X16X2)	4
20	391-3834B	PLATE-CAP	2
19	9R-5438B	WASHER (51X82X2)	2
PC NO	PART NO.	PART NAME	QTY