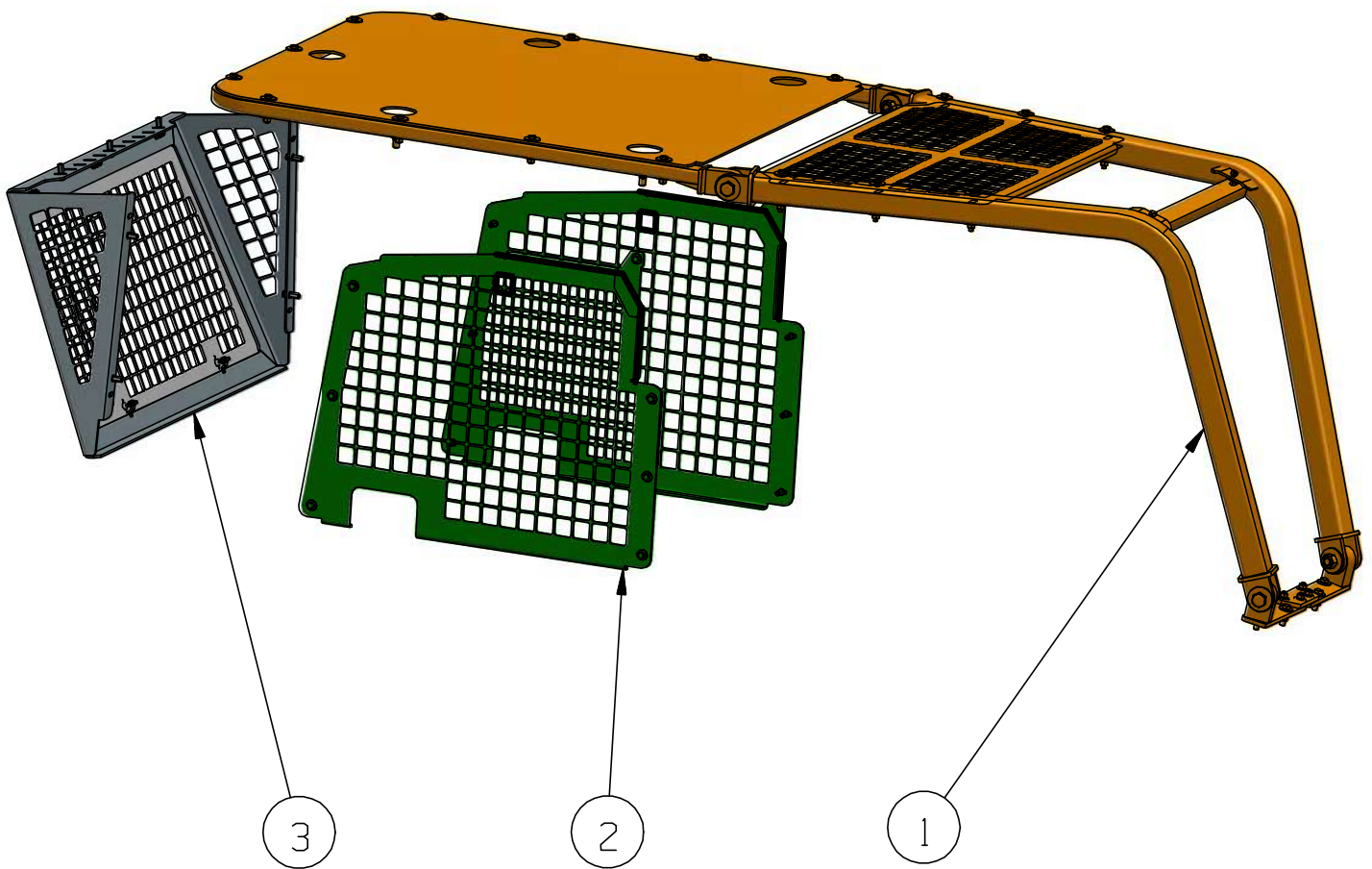
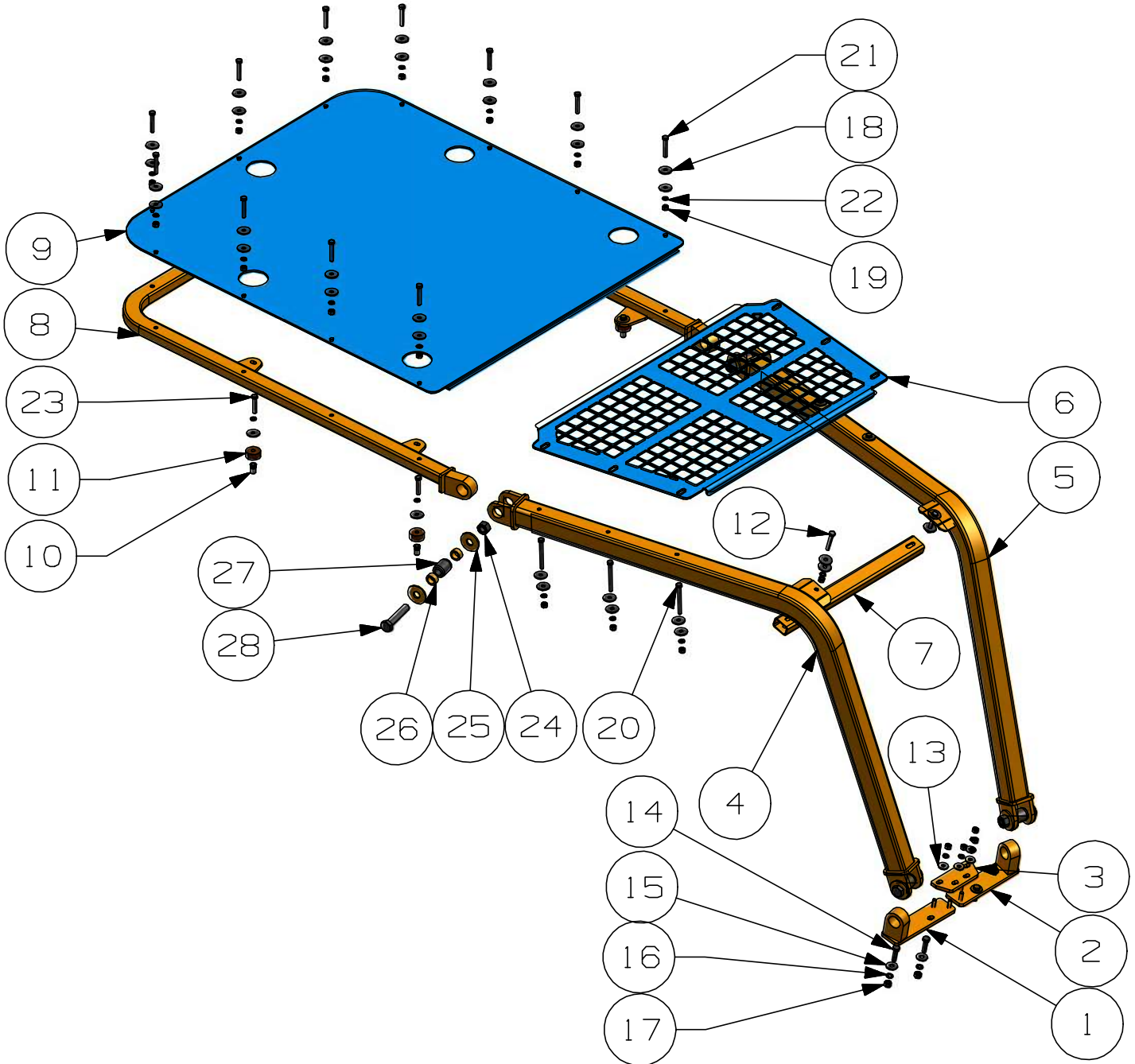


PROTECTION SYS (JD450;550;650)



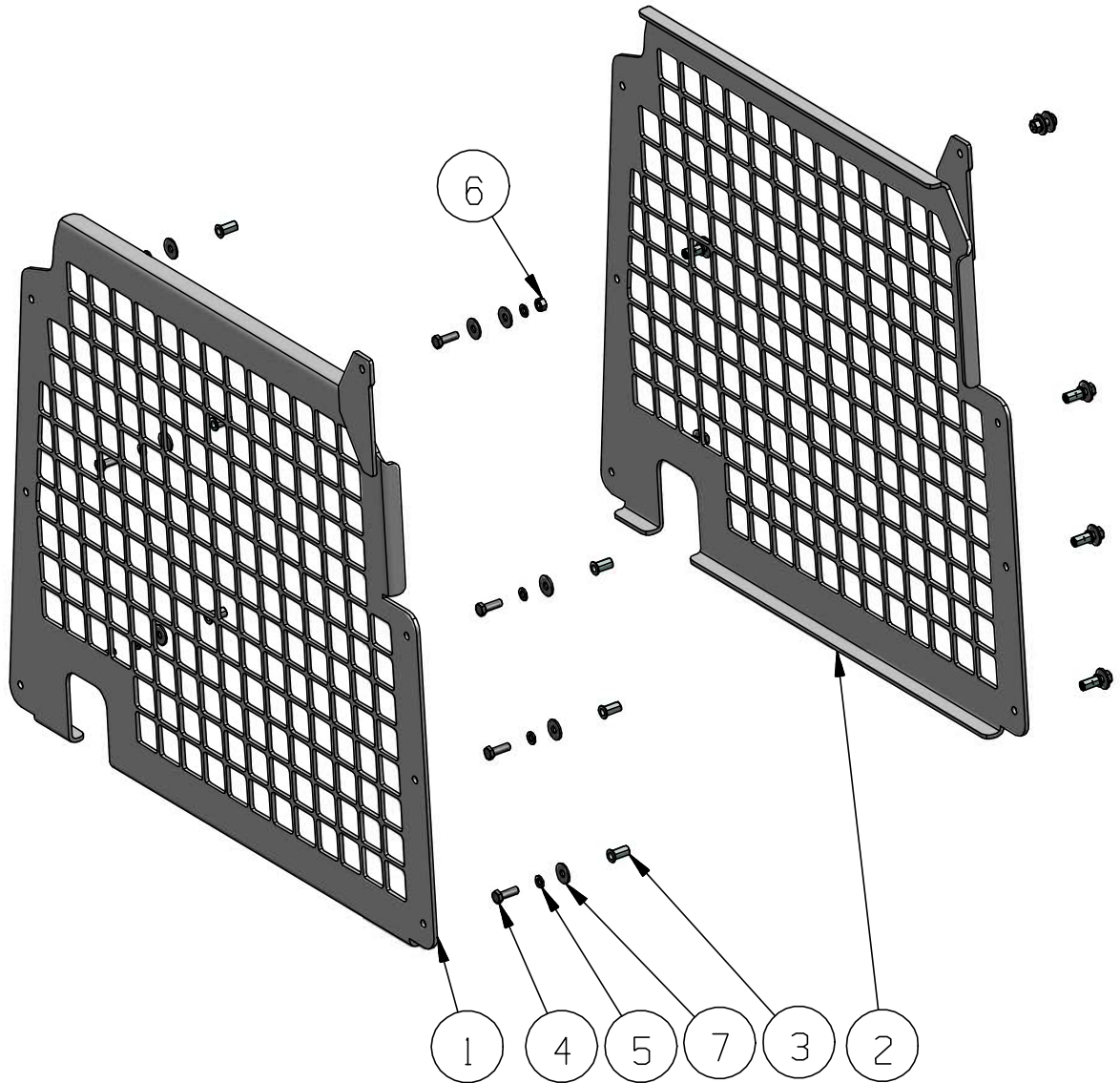
3	JD550H-3000	JD550H-SCREEN GP -REAR	1
2	JD550H-2000	JD550H-SCREEN GP-SIDE	1
1	JD550H-1000	JD550H-SWEEP GP	1
PC NO	PART NO.	PART NAME	QTY

JD550H SWEEP GP (JD550H -1000)



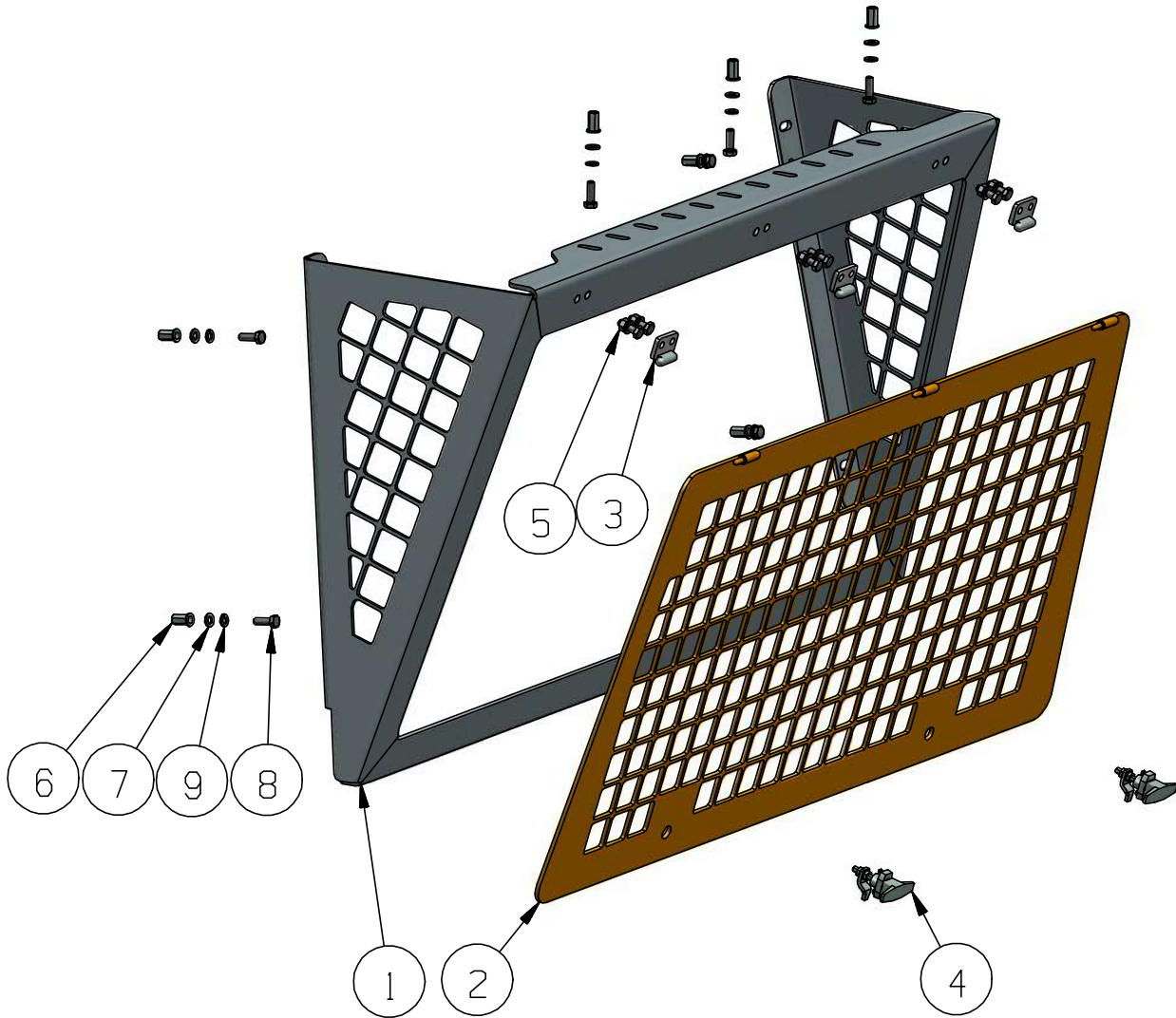
28	B5782-24-120	BOLT (M24x120)	4	15	GB95 - 14	WASHER (14)	4
27	B9S-5187	MOUNT-RUBBER	4	14	B5782-14-50	BOLT (M14x50)	4
26	B001	BUSH (28x38x18)	8	13	GB95 - 12	WASHER (12)	4
25	B329-9650	PLATE (70x26x11)	8	12	B5782-12-75	BOLT (M12X75)	2
24	B6170-24	NUT (M24)	4	11	JD550H-1203	SPACER (50x14x23)	5
23	B5782-12-60	BOLT (M12x60)	5	10	B17880.5-M12	RIVET NUT (M12x25)	5
22	B93-12	SPRING WASHER (12)	28	9	JD550H-1202	PLATE-RTOP	1
21	B5782-12-70	BOLT (M12x70)	11	8	JD550H-1201	SWEEP AS-REAR	1
20	B5782-12-110	BOLT (M12x110)	6	7	JD550H-1002	TUBE	1
19	B6170-12	NUT (M12)	23	6	JD550H-1005	PLATE-FTOP	1
18	B96.2-12	BIG WASHER (12)	43	5	JD550H-1001L	SWEEP AS-LH	1
17	B6170-14	NUT (M14)	4	4	JD550H-1001R	SWEEP AS-RH	1
16	B93-14	SPRING WASHER (14)	4	3	JD550H-1006	PLATE-LINK	1
PC NO	PART NO.	PART NAME	QTY	2	JD550H-1004	SUPPORT AS-LH	1
				1	JD550H-1003	SUPPORT AS-RH	1

JD550H SCREEN GP (JD550H -2000)



7	B96.2-10	BIG WASHER(10)	16
6	B6170-10	NUT(M10)	2
5	B93-10	SPRING WASHER(10)	14
4	B5782-10-30	BOLT(M10x30)	14
3	B17880.5-10-22	RIVET NUT(M10x22)	12
2	JD550H-2002-1	SCREEN AS-RH	1
1	JD550H-2001-1	SCREEN AS-LH	1
PC NO	PART NO.	PART NAME	QTY

SCREEN GP-REAR (JD550H - 3000)



9	B93-10	SPRING WASHER(10)	13
8	B5782-10-30	BOLT(M10x30)	13
7	B95-10	WASHER(10)	13
6	B17880.5-10-22	RIVET NUT(M10x22)	7
5	B6170-10	NUT(M10)	6
4	LOCK AS	LOCK AS	2
3	GB-HINGE AS	HINGE AS.	3
2	JD550H-3005	PLATE-REAR WINDOW	1
1	JD550H-3001A	PLATE-SCREEN REAR	1
PC NO	PART NO.	PART NAME	QTY