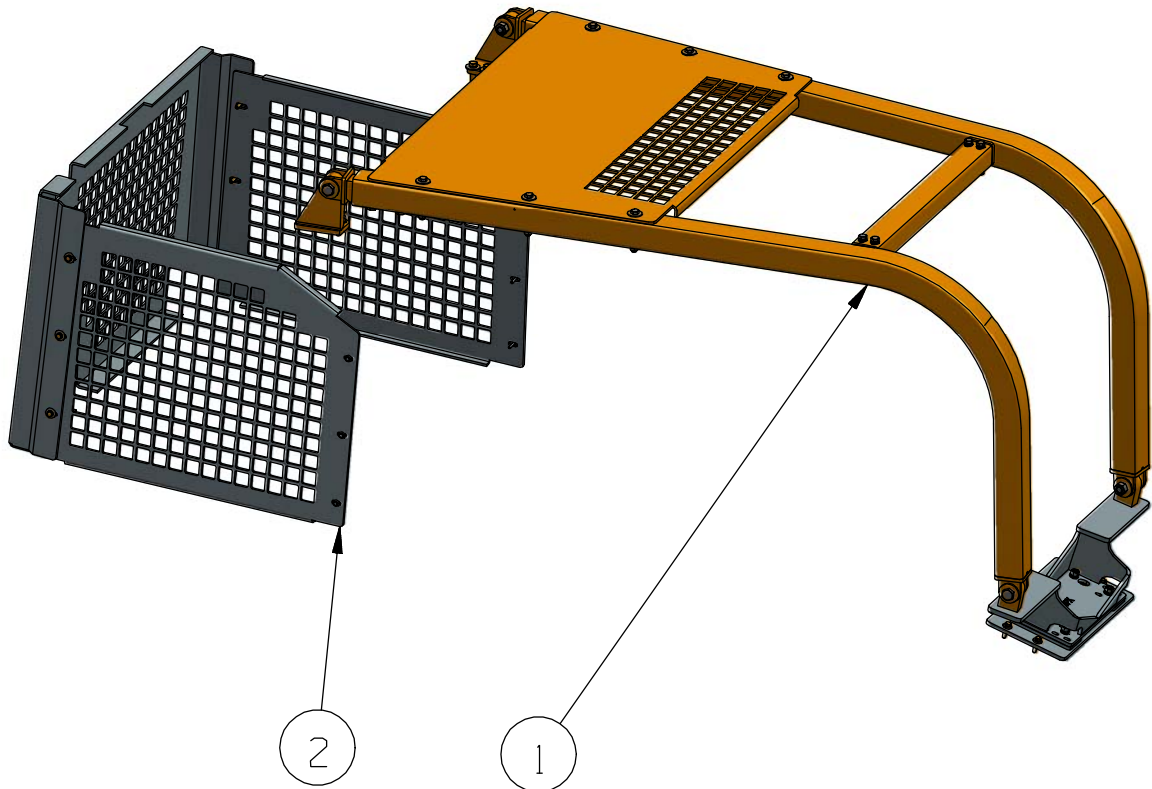
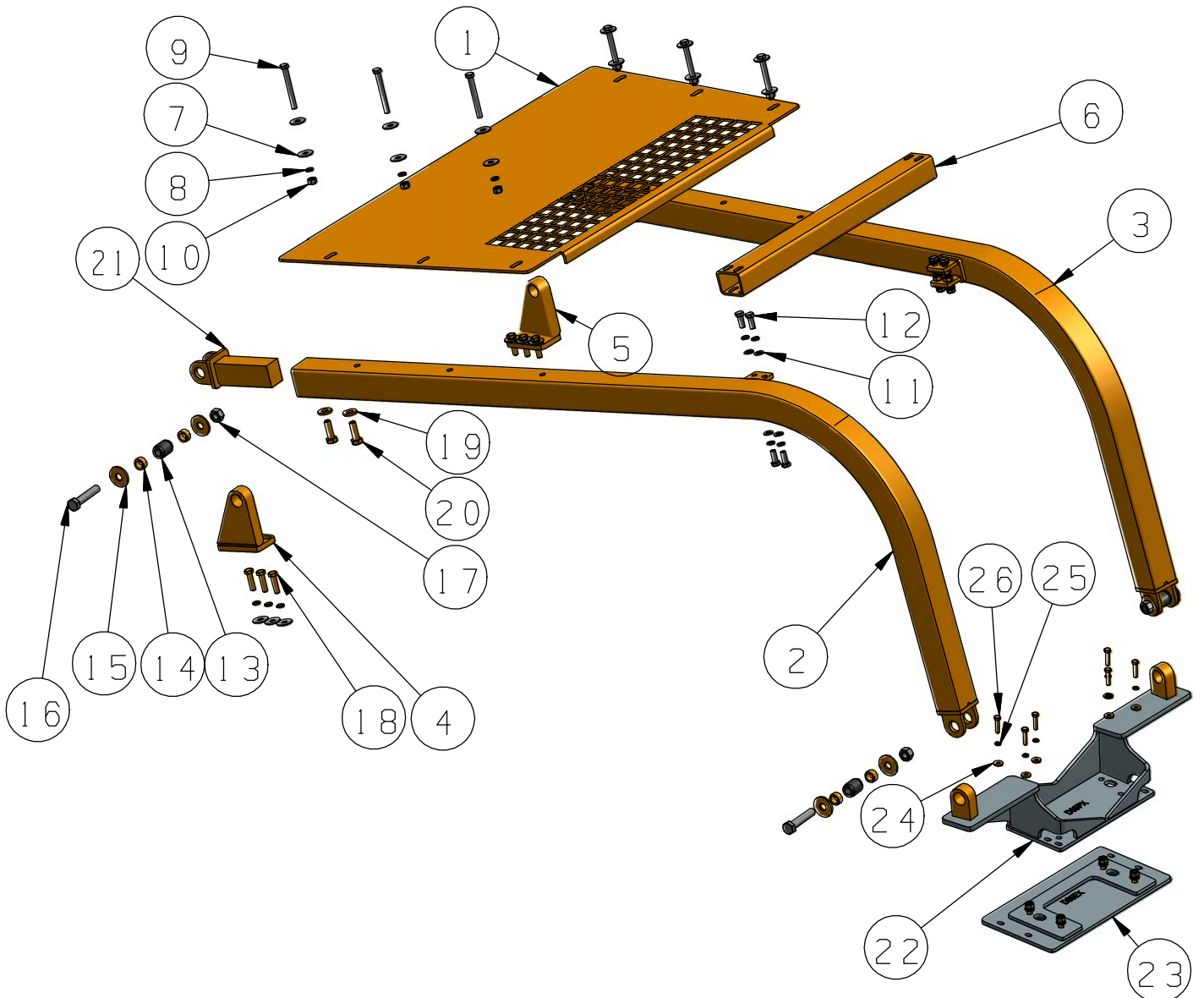


**D65-PROTECTION SYS  
D65(FOR NO ROPS TYPE)**



|          |                 |               |     |
|----------|-----------------|---------------|-----|
| 2        | D65-2000        | SCREEN GP-D65 | 1   |
| 1        | D65-1000(EX.PX) | SWEEP GP-D65  | 1   |
| PC<br>NO | PART NO.        | PART NAME     | QTY |

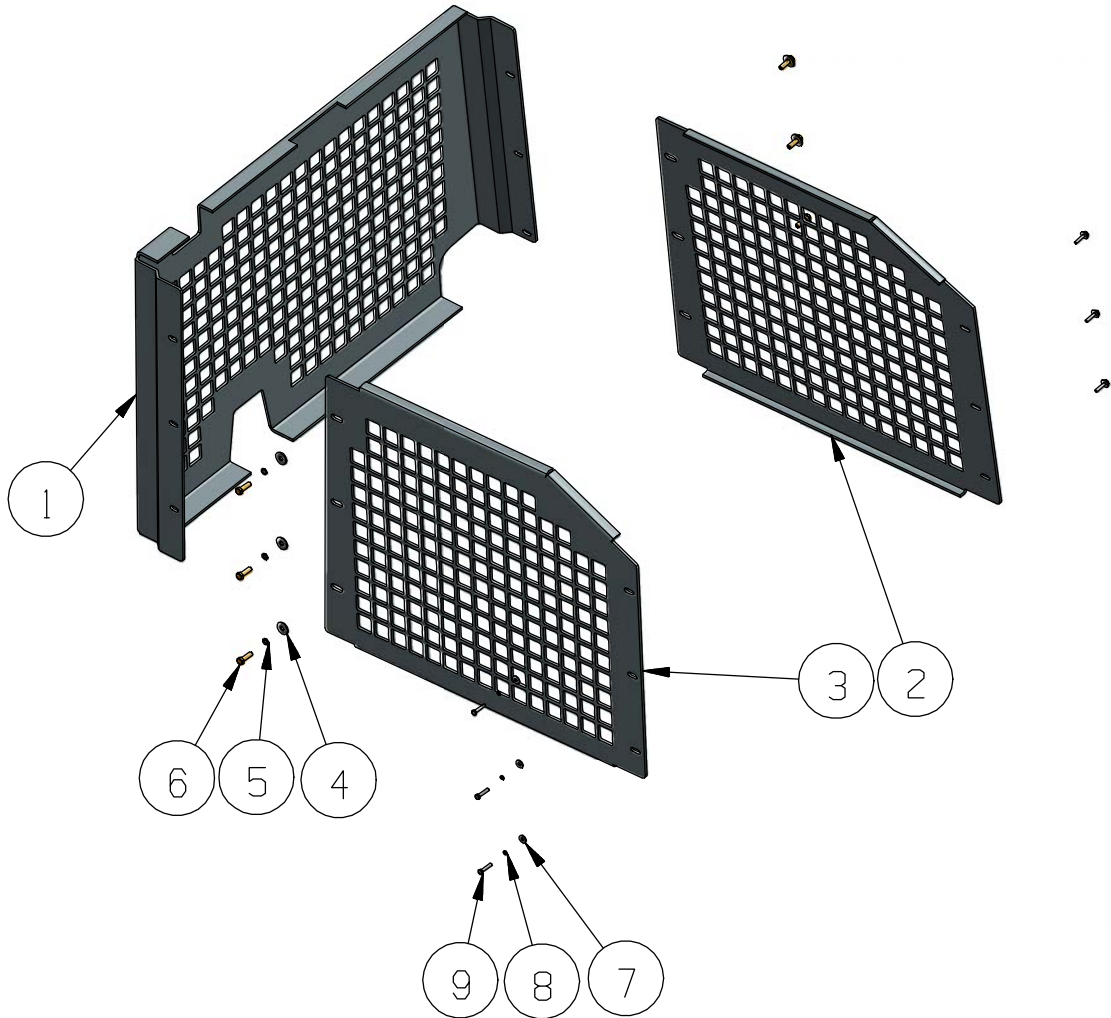
**D65EX (D85EX) SWEEP GP  
(FOR NO ROPS TYPE)**



|       |              |                      |     |
|-------|--------------|----------------------|-----|
| 26    | 8T-4194B     | BOLT (M12x50)        | 6   |
| 25    | B93-12       | SPRING WASHER (12)   | 6   |
| 24    | 5P-1076B     | WASHER (12)          | 6   |
| 23    | 2502-2002    | LINK AS-D85EX (ONLY) | 1   |
| 22    | 2502-2001    | BRACKET AS-FRONT     | 1   |
| 21    | D65-1000-8A  | ADJUST AS.           | 2   |
| 20    | 7X-2563B     | BOLT (M20x60)        | 4   |
| 19    | 8T-5439B     | WASHER (20)          | 4   |
| 18    | 8T-4140B     | BOLT (M16x60)        | 6   |
| 17    | B6170F-24    | NUT (M24)            | 4   |
| 16    | B5782-24-120 | BOLT (M24x120)       | 4   |
| PC NO | PART NO.     | PART NAME            | QTY |

|       |              |                    |     |
|-------|--------------|--------------------|-----|
| 15    | B329-9650    | PLATE (26x70x6)    | 8   |
| 14    | B001         | BUSH (28x38x18)    | 8   |
| 13    | B9S-5187     | MOUNT-RUBBER       | 4   |
| 12    | B5782-16-40  | BOLT (M16x40)      | 8   |
| 11    | B97.1-16     | WASHER (16)        | 8   |
| 10    | B6170F-16    | NUT (M16)          | 6   |
| 9     | B5782-16-140 | BOLT (M16x140)     | 6   |
| 8     | B93-16       | SPRING WASHER (16) | 20  |
| 7     | B96.2-16     | BIG WASHER (16)    | 18  |
| 6     | D65-1000-7   | TUBE               | 1   |
| 5     | D65-1000-4L  | SUPPORT AS.-LH     | 1   |
| 4     | D65-1000-4R  | SUPPORT AS.-RH     | 1   |
| 3     | D65-1000-1L  | SWEEP AS.-LH       | 1   |
| 2     | D65-1000-1R  | SWEEP AS.-RH       | 1   |
| 1     | D65-1000-3   | PLATE -TOP         | 1   |
| PC NO | PART NO.     | PART NAME          | QTY |

**D65 (EX.PX) SCREEN GP  
(D65-2000)**



|       |            |                    |     |
|-------|------------|--------------------|-----|
| 9     | B5782-8    | BOLT (M8x40)       | 6   |
| 8     | B93-8      | SPRING WASHER (8)  | 6   |
| 7     | B96.2-8    | BIG WASHER (8)     | 6   |
| 6     | 8T-4183B   | BOLT (M12x40)      | 6   |
| 5     | B93-12     | SPRING WASHER (12) | 6   |
| 4     | B96.2-12   | BIG WASHER (12)    | 6   |
| 3     | D65-2000-1 | SCREEN-RH          | 1   |
| 2     | D65-2000-2 | SCREEN-LH          | 1   |
| 1     | D65-3000-1 | SCREEN -REAR       | 1   |
| PC NO | PART NO.   | PART NAME          | QTY |