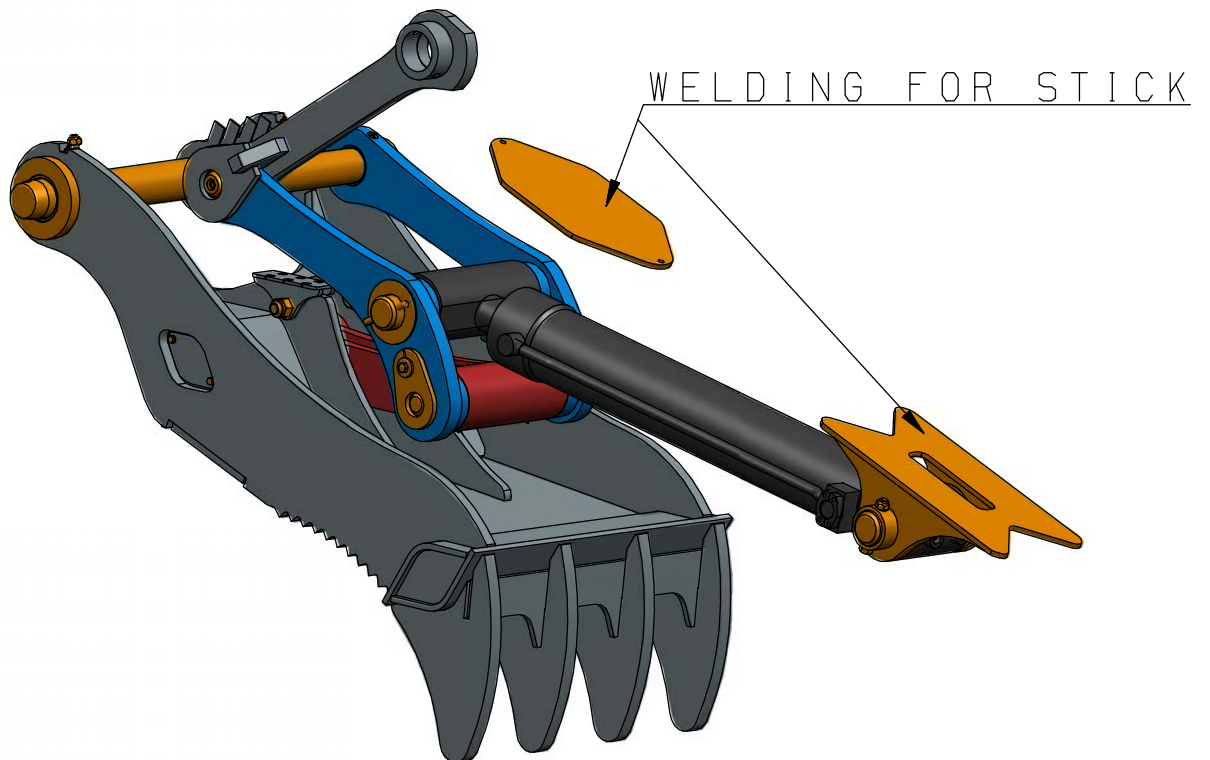
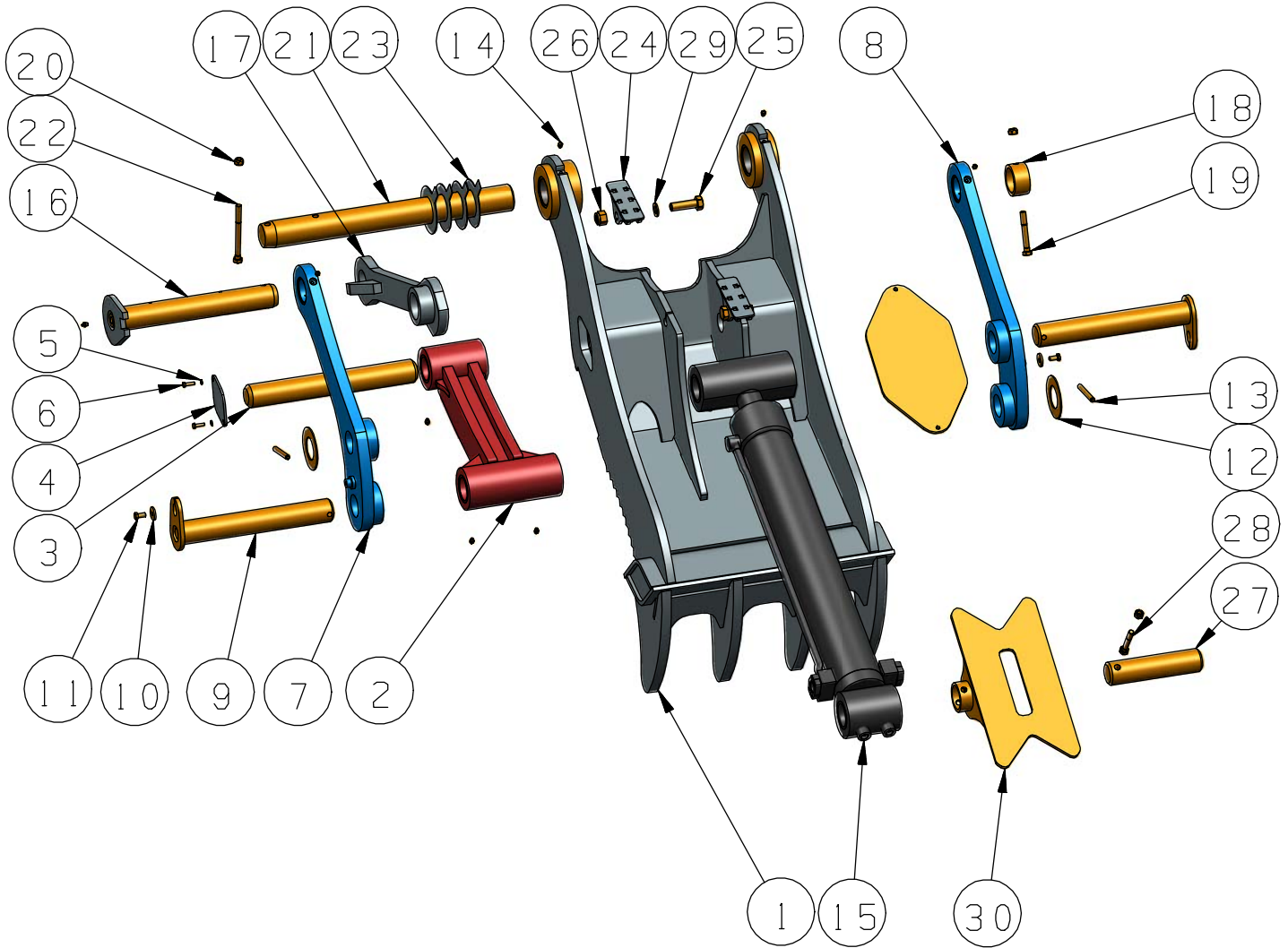


THUMB GP (418-0280B)



MODEL: 320D; 320E
THUMB GP-PIN ON, 4-TOOTH
FULL ROTATION
FOR USE WITH 1077MM(42IN) BUCKET

THUMB GP (418-0280B)



30	386-3919B	BRACKET AS.-STICK	1
29	5P-8249B	WASHER (24X41.5X4)	2
28	8T-4173B	BOLT (M16X2X110)	1
27	384-3914B	PIN(69.9X290)	1
26	6V-7676B	NUT (M24X3)	2
25	8T-5878B	BOLT (M24X3X80)	2
24	384-3910B	PLATE AS-STOP	2
23	137-8479B	SHIM(2-MM THK)	4
22	8T-6385B	BOLT (M16X2X180)	1
21	386-4110B	PIN(79.85X781)	1
20	8T-4778B	LOCKNUT (M16X2)	3
19	8T-4174B	BOLT (M16X2X120)	1
18	384-4034B	TUBE-RETAINER	1
17	299-6748B	LINK AS	1
PC NO	PART NO.	PART NAME	QTY

16	386-9500B	PIN AS	1
15	417-0223B	CYLINDER GP-THUMB	1
14	3B-8489B	FITTING (1/8-27PTF)	9
13	6Y-2266B	PIN	2
12	222-7101B	WASHER (71X130X3)	2
11	8T-4192B	BOLT (M12X1.75X25)	2
10	7X-0618B	WASHER (13.5X40X5)	2
9	387-0280B	PIN AS	2
8	387-0277B	LINK AS-IDLER (RH)	1
7	387-0278B	LINK AS-IDLER (LH)	1
6	8T-7547B	BOLT (M8X1.25X30)	4
5	9M-1974B	WASHER(8.8X16X2)	4
4	384-3913B	PLATE-CAP	2
3	394-1764B	PIN(69.85X530)	1
2	387-0279B	LINK AS (CENTER)	1
1	418-0281B	THUMB AS	1
PC NO	PART NO.	PART NAME	QTY