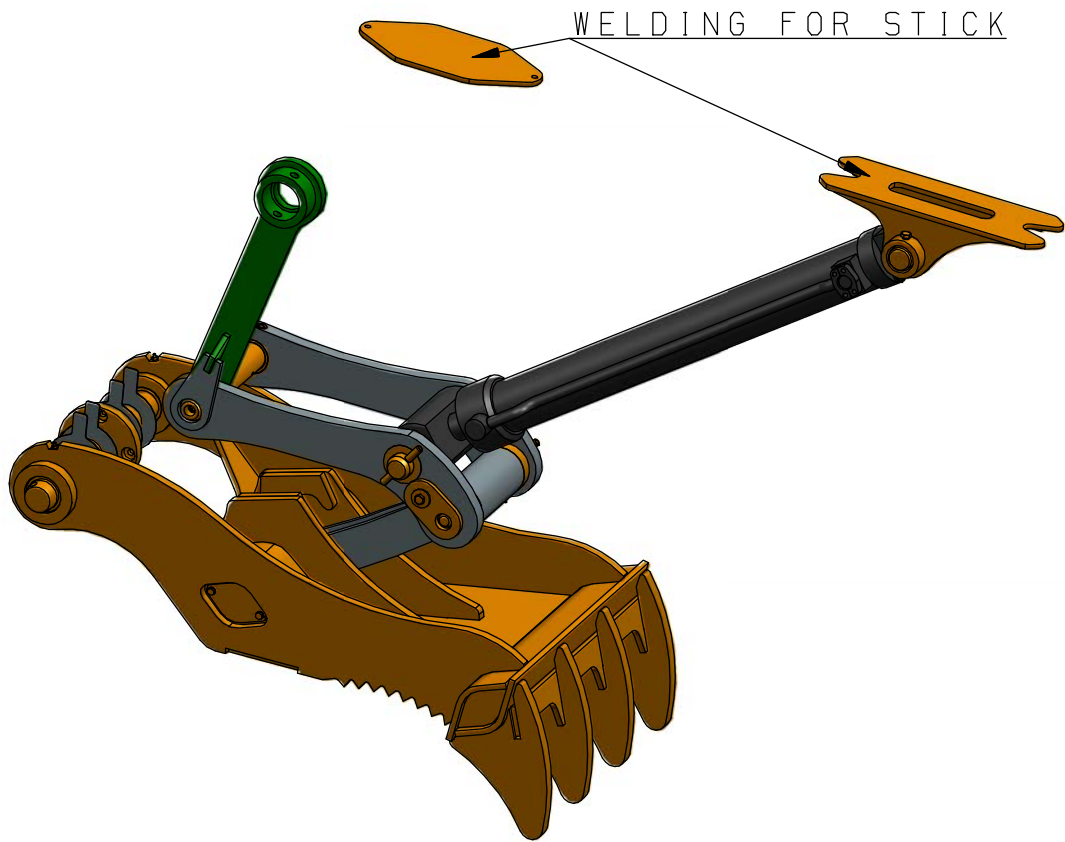
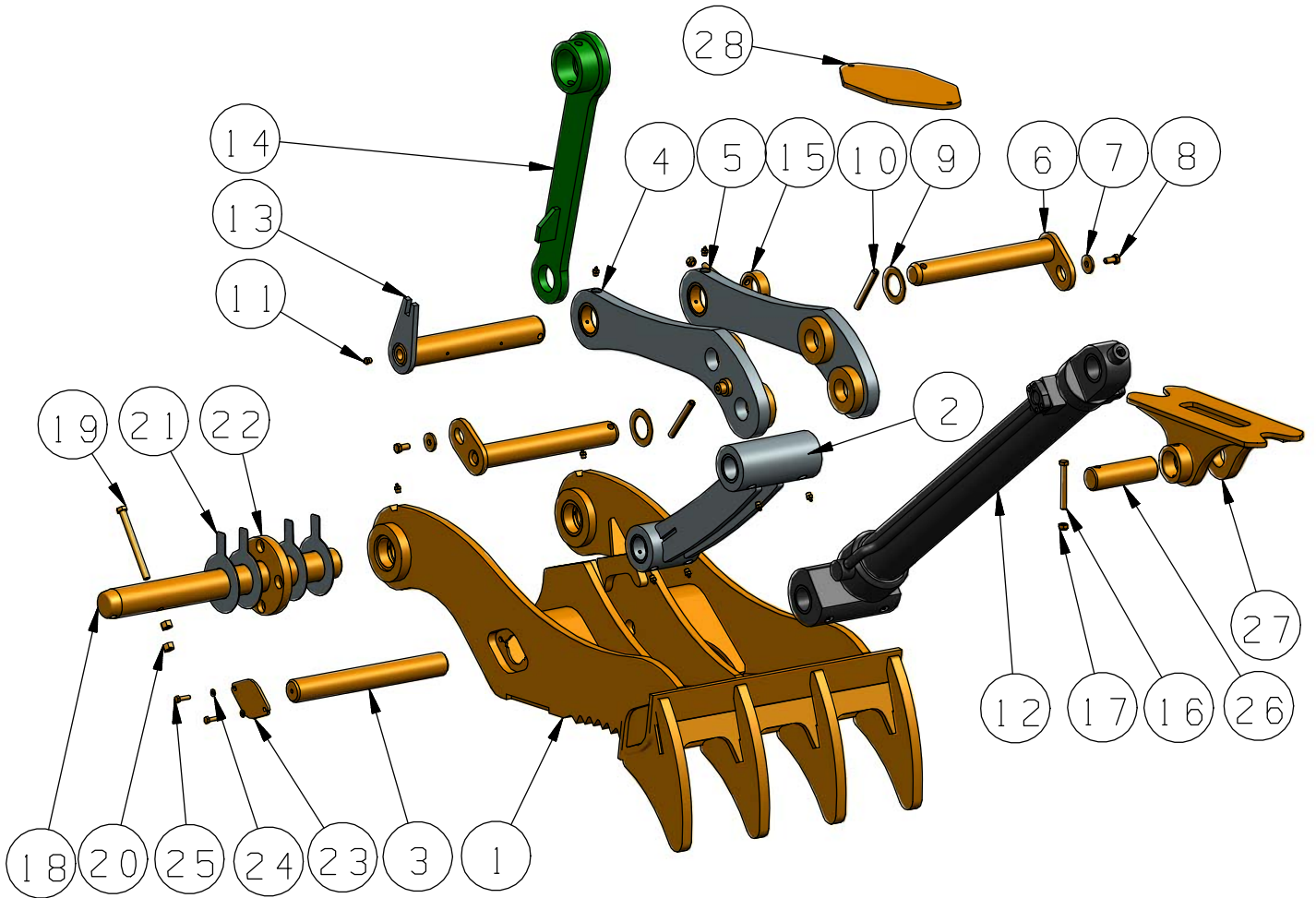


THUMB GP (387-9722B)



MODEL: (311;312;314)
THUMB GP-PIN ON, 4-TOOTH
FULL ROTATION
FOR USE WITH 914mm(36in) BUCKET

THUMB GP (387-9722B)



28	379-7031B	PLATE-STOP	1	14	247-7642B	LINK AS	1
27	379-7030B	BRACKET AS	1	13	379-6998B	PIN AS-IDLER	1
26	379-7002B	PIN	1	12	378-5574B	CYL GP-BASIC	1
25	8T-7547B	BOLT (M8x30)	4	11	3B-8489B	ADAPTER-STR	9
24	9M-1974B	WASHER (8)	4	10	6Y-2266B	PIN	2
23	391-3834B	PLATE-CAP	2	9	9R-5438B	WASHER (51x82x2)	2
22	186-2048B	PLATE-SPACER PAD	1	8	8T-4192B	BOLT (M12x25)	2
21	392-3640B	PLATE-SHIM	4	7	7X-0618B	WASHER (13.5x40x5)	2
20	096-4876B	NUT (M14)	2	6	379-6995B	PIN AS-IDLER	2
19	248-5474B	BOLT (M14x160)	1	5	379-6992B	LINK AS-IDLER	1
18	379-6997B	PIN	1	4	379-6993B	LINK AS-IDLER	1
17	6V-7687B	LOCKNUT (M12)	2	3	185-8079B	PIN	1
16	7X-2549B	BOLT (M12x100)	2	2	379-6994B	LINK AS-POWER	1
15	249-0165B	TUBE-RETAINER	1	1	387-9723B	THUMB AS.	1
PC NO	PART NO.	PART NAME	QTY	PC NO	PART NO.	PART NAME	QTY