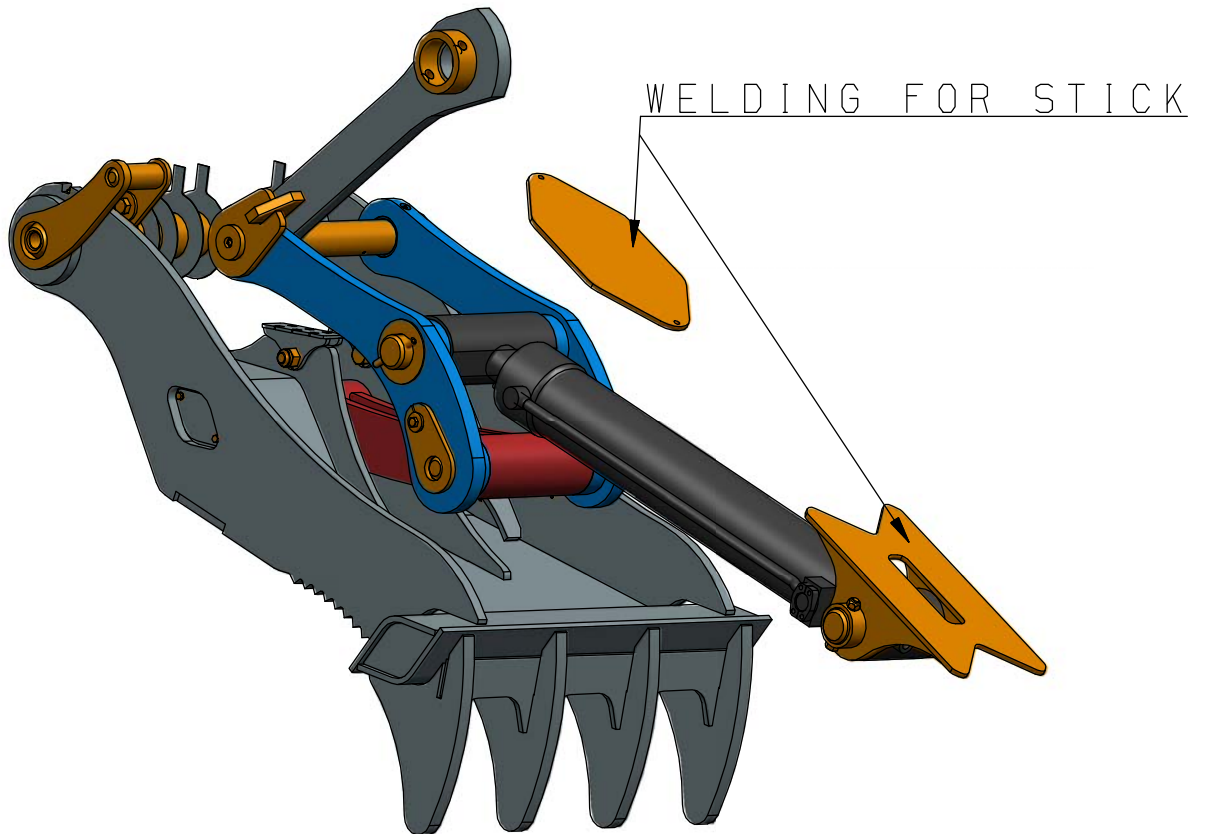
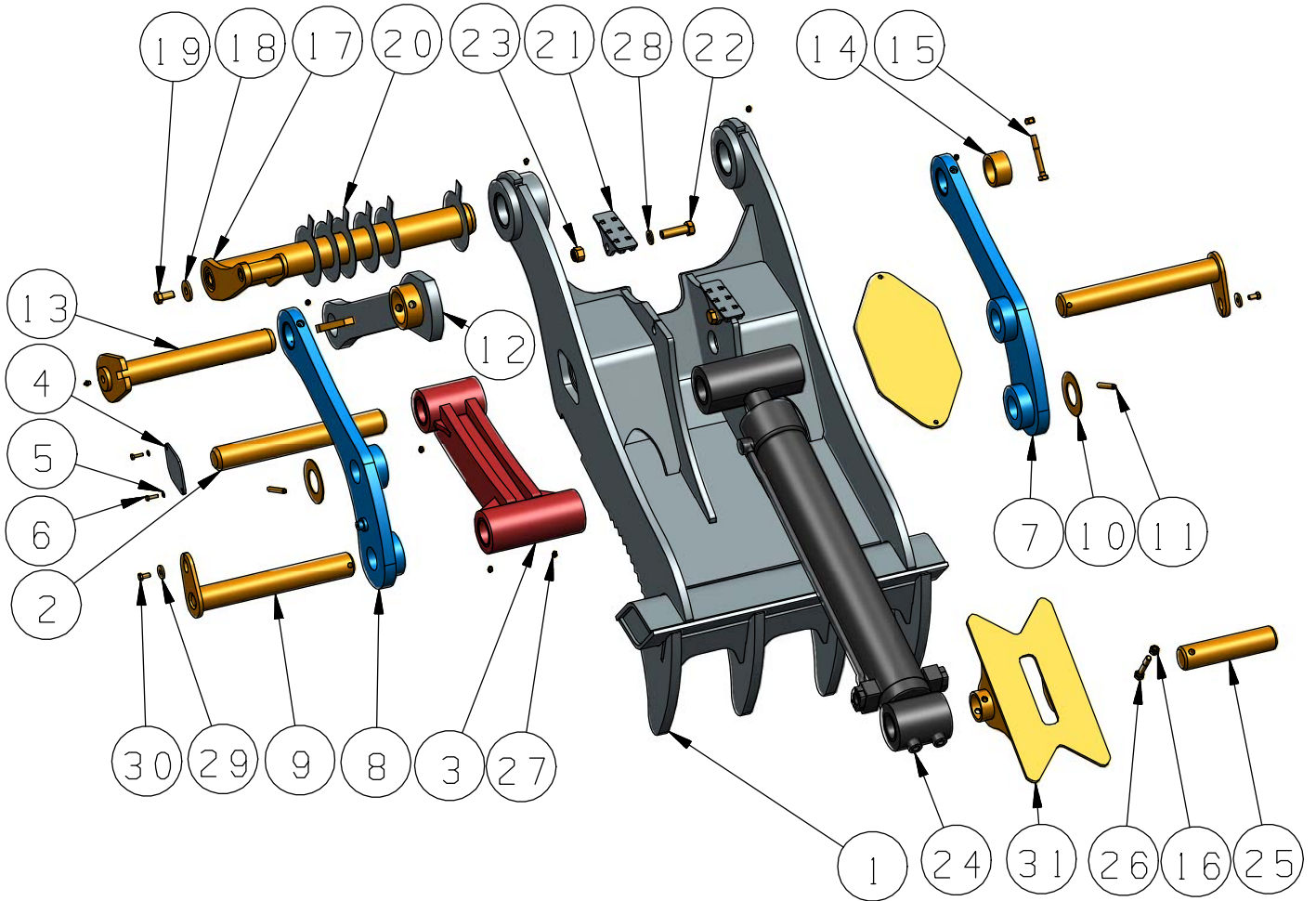


THUMB GP (418-0378B)



MODEL: 324D;324E
THUMB GP-PIN ON -4 TOOTH
FULL ROTATION
FOR USE WITH 1219MM(48 IN) BUCKET

THUMB GP (418-0378B)



31	386-3919B	BRACKET GP-FOR STICK	1	16	8T-4778B	LOCKNUT (M16X2)	2
30	8T-4192B	BOLT (M12X1.75X25)	2	15	8T-4174B	BOLT (M16X2X120)	1
29	7X-0618B	WASHER (13.5X40X5)	2	14	384-4034B	TUBE-RETAINER	1
28	5P-8249B	WASHER (24X41.5X4)	2	13	420-0500B	PIN AS	1
27	3B-8489B	FITTING- (1/8-27 PTF)	9	12	320-5201B	PIN AS	1
26	8T-4173B	BOLT (M16X2X110)	1	11	6Y-2266B	PIN	2
25	384-3914B	PIN (69.9X290)	1	10	222-7101B	WASHER (71X130X3)	2
24	417-0223B	CYLINDER GP-THUMB	1	9	420-0501B	PIN AS	2
23	6V-7676B	NUT (M24X3)	2	8	420-0498B	LINK AS-IDLER (LH)	1
22	8T-5878B	BOLT (M24X3X80)	2	7	420-0497B	LINK AS-IDLER (RH)	1
21	384-3910B	PLATE AS-STOP	2	6	8T-7547B	BOLT (M8X1.25X30)	4
20	263-9600B	SHIM (1.5-MM THK)	6	5	9M-1974B	WASHER (8.8X16X2)	4
19	8T-5460B	BOLT (M20X2.5X25)	1	4	384-3913B	PLATE-CAP	2
18	093-0349B	WASHER (22X60X6)	1	3	420-0499B	LINK AS (CENTER)	1
17	394-1765B	PIN AS	1	2	394-1764B	PIN (69.85X530)	1
PC NO	PART NO.	PART NAME	QTY	1	418-0379B	THUMB AS	1
				PC NO	PART NO.	PART NAME	QTY