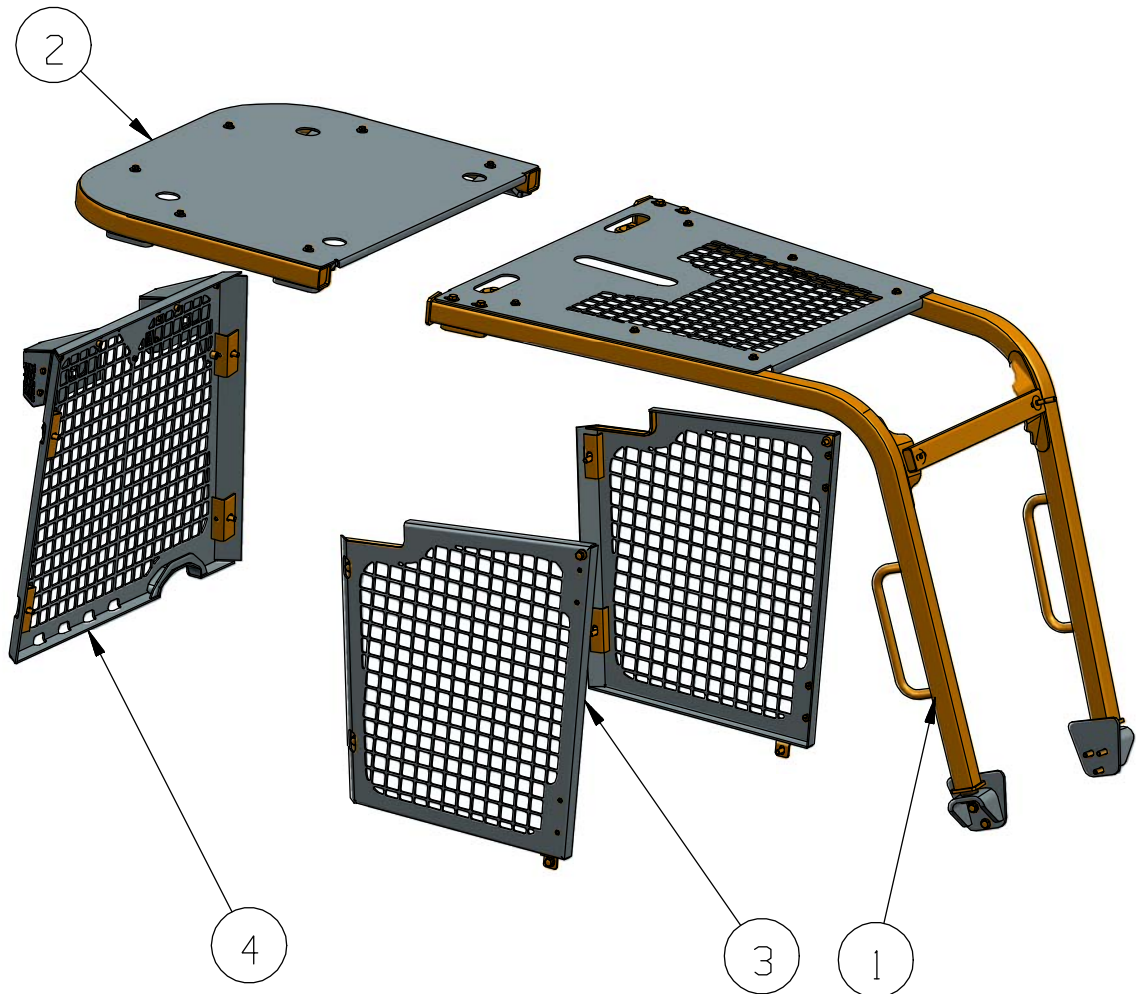
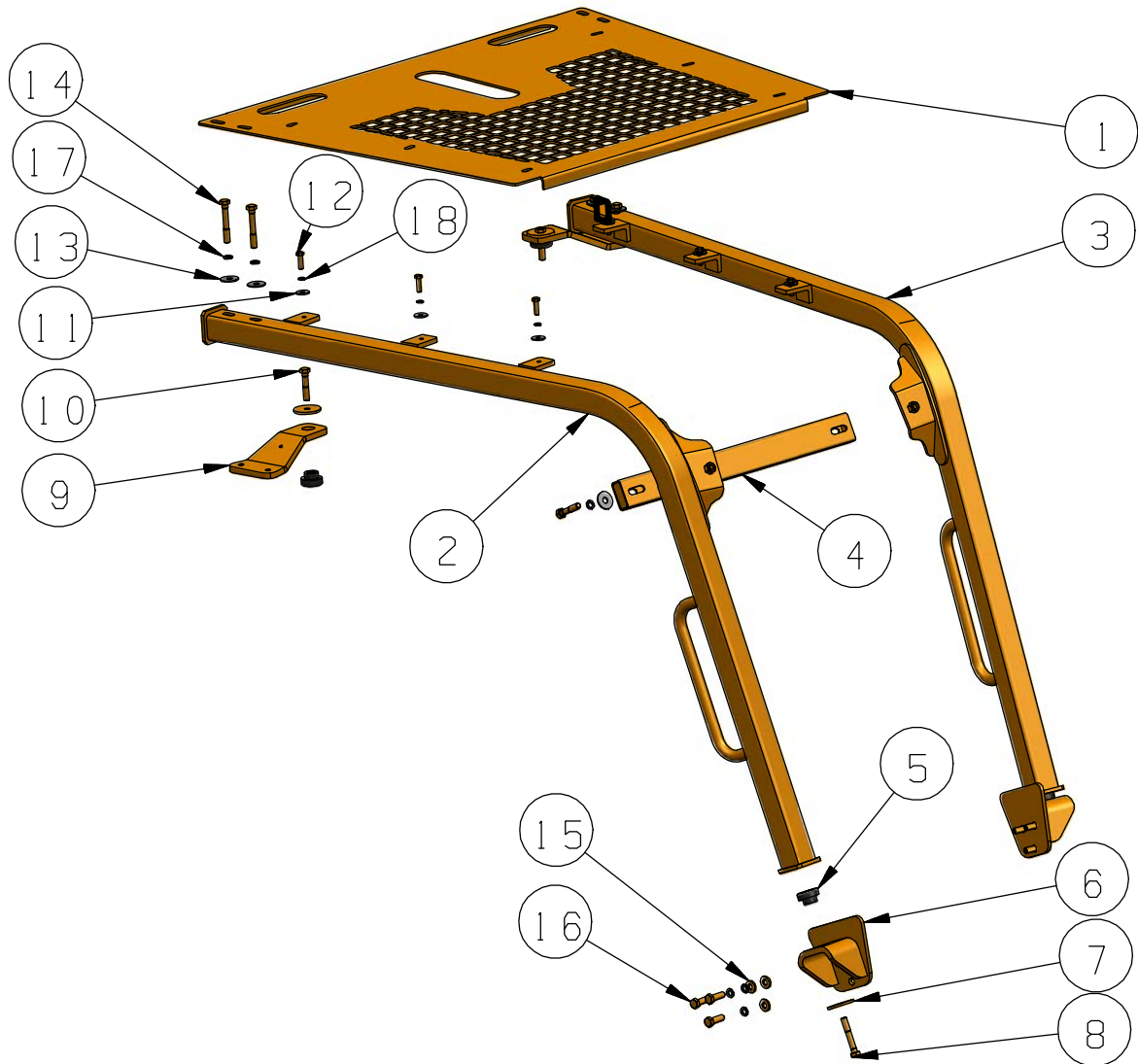


## D6K (OROPS) PROTECTION SYS



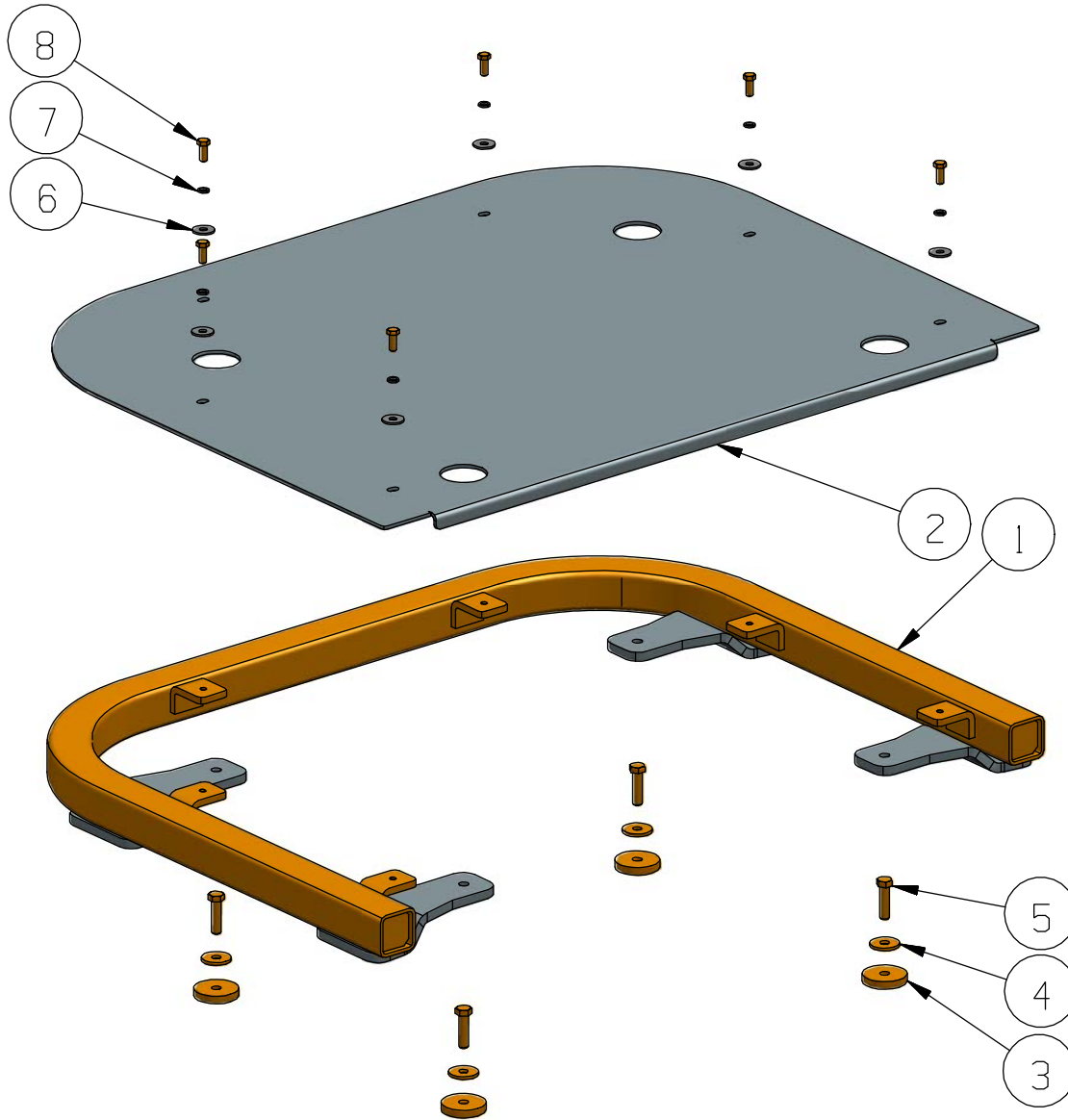
4	250-1697B	SCREEN GP-REAR (D6K-OROPS)	1
3	250-1699B	SCREEN GP-SIDE (D5K;D6K)	1
2	294-4474B	SWEEP GP-REAR (D6K-OROPS)	1
1	B250-1700	SWEEP GP-FRONT(D6K-1)	1
PC NO	PART NO.	PART NAME	QTY

## SWEEP GP-FRONT (D6K) B250-1700



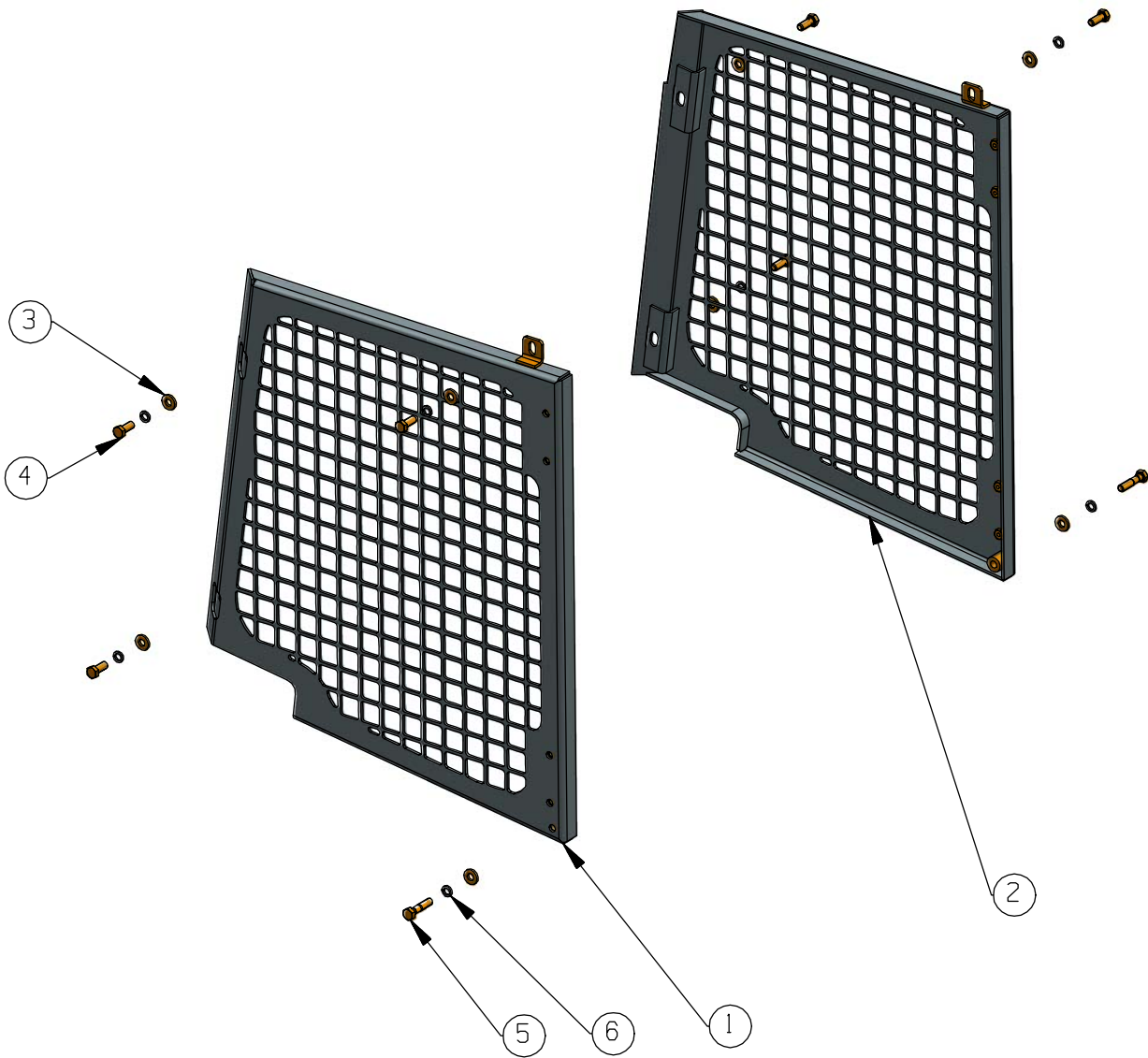
18	B93-12	SPRING WASHER (12)	6
17	B93-16	SPRING WASHER (16)	12
16	8T-4193B	BOLT (M16x50)	6
15	7X-0515B	WASHER (16)	6
14	8T-4173B	BOLT (M16x110)	4
13	B96.2-16	BIG WASHER (16)	6
12	8T-4183B	BOLT (M12x40)	6
11	B96.2-12	BIG WASHER (12)	6
10	7X-2555B	BOLT (M16x80)	4
9	253-0578B	PLATE	2
8	7X-2556B	BOLT (M16x100)	2
7	5V-0500B	WASHER (16.5x75x6)	4
6	250-1714B	SUPPORT AS.	2
5	B263-6689	MOUNT-RUBBER	4
4	B250-1703	TUBE	1
3	B277-6038	TUBE AS. -LEFT	1
2	B277-6037	TUBE AS. -RIGHT	1
1	B250-1700-1	TOP PLATE-FRONT	1
PC NO	PART NO.	PART NAME	QTY

# D6K (OROPS) SWEEP GP-REAR (294-4474B)



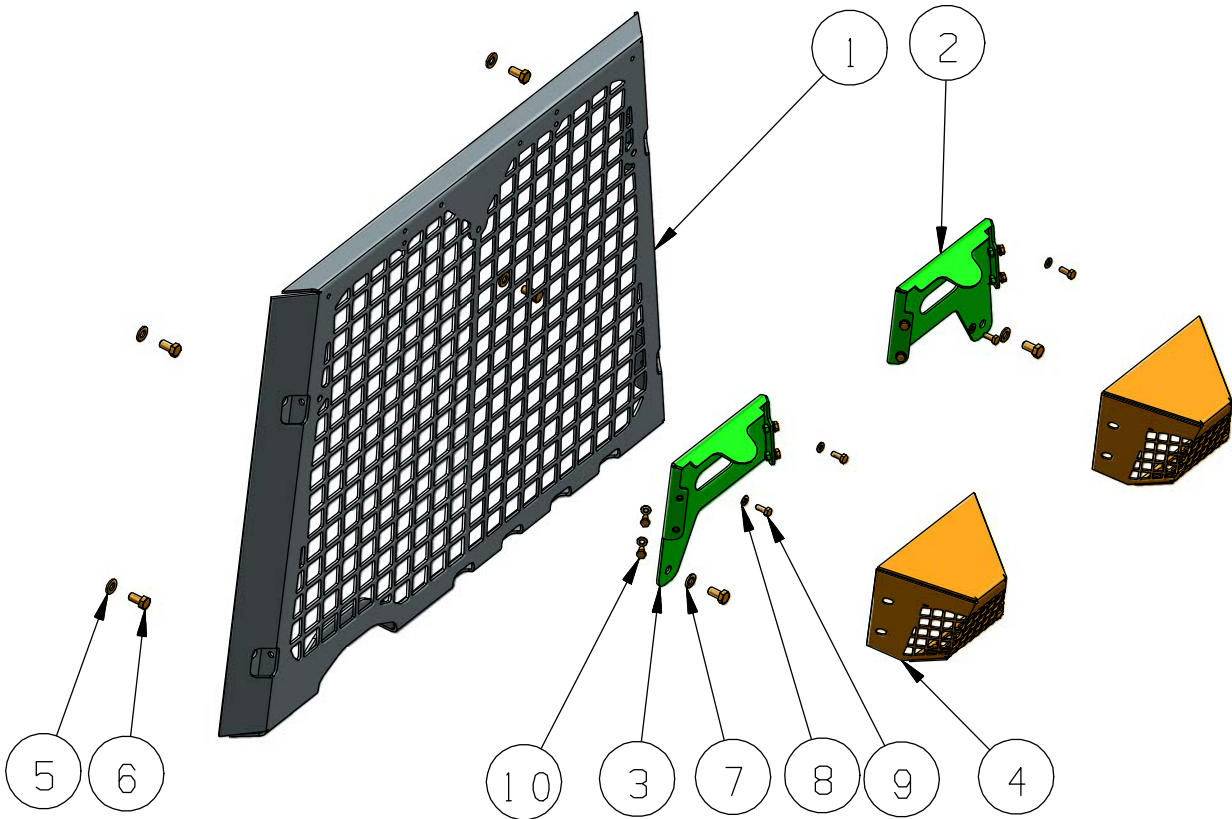
8	8T-4139B	BOLT(M12x30)	6
7	B93-12	SPRING WASHER(12)	6
6	B96.2-12	BIG WASHER(12)	6
5	8T-4140B	BOLT(M16x60)	4
4	3V-9244B	WASHER(17x50x6)	4
3	3T-6742B	RETAINER(17x75x16)	4
2	293-1864B	PLATE	1
1	293-1939B	TUBE AS.	1
PC NO	PART NO.	PART NAME	QTY

**SCREEN 6P PROTECTION-SIDES  
250-1699B (D5K, D6K; D6K-2B;D6K-2C)**



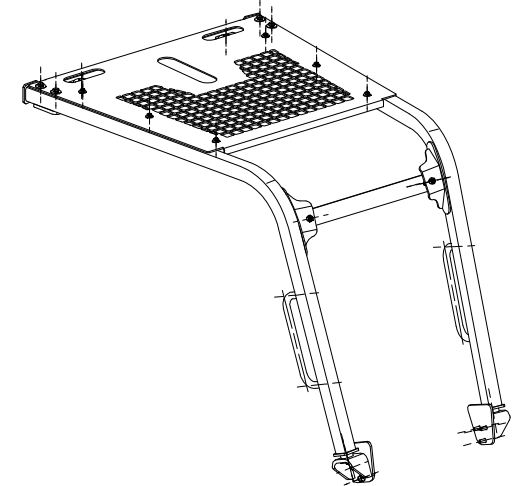
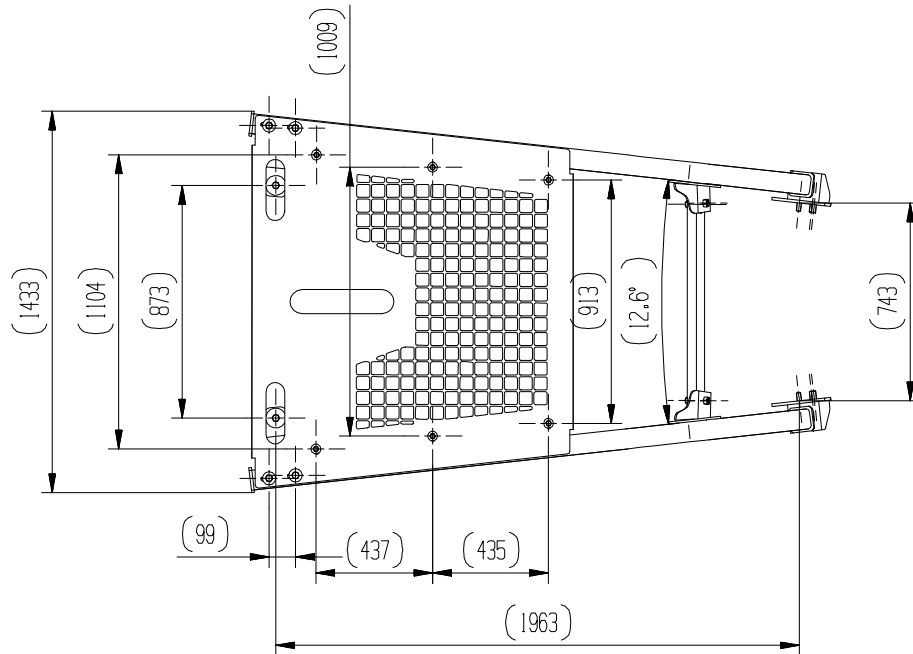
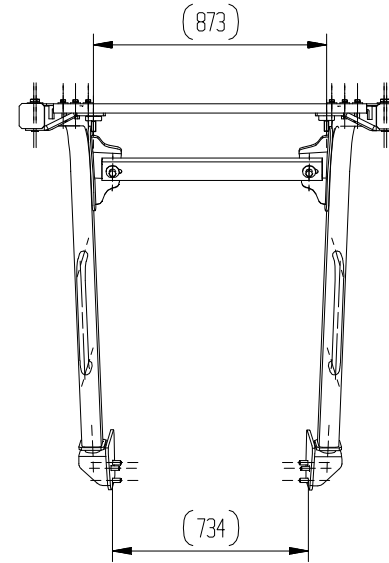
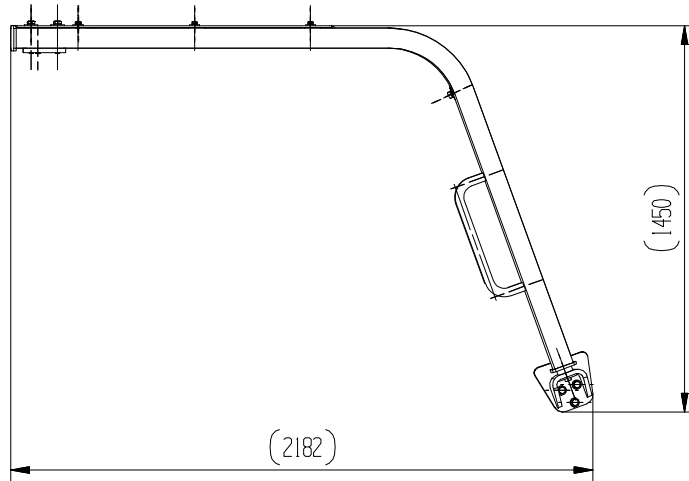
6	B93-16	SPRING WASHER (16)	8
5	7X-2554B	BOLT (M16x70)	2
4	7X-2553B	BOLT (M16x40)	6
3	7X-0515B	WASHER (16)	8
2	252-0553B	SCREEN AS. LH	1
1	252-0552B	SCREEN AS. RH	1
PC NO	PART NO.	PART NAME	QTY

# D6K (OROPS) SCREEN GP - REAR (250-1697B)



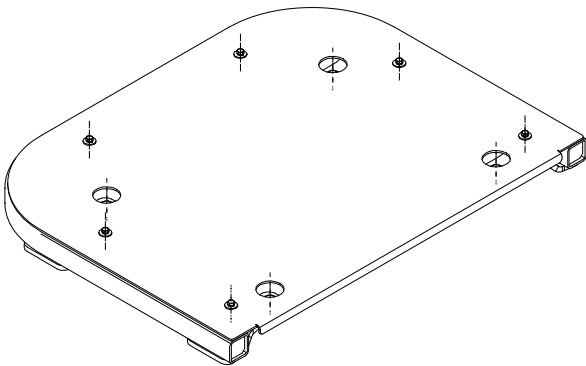
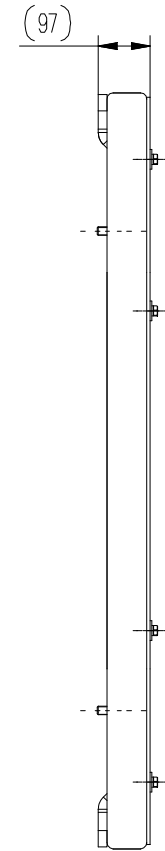
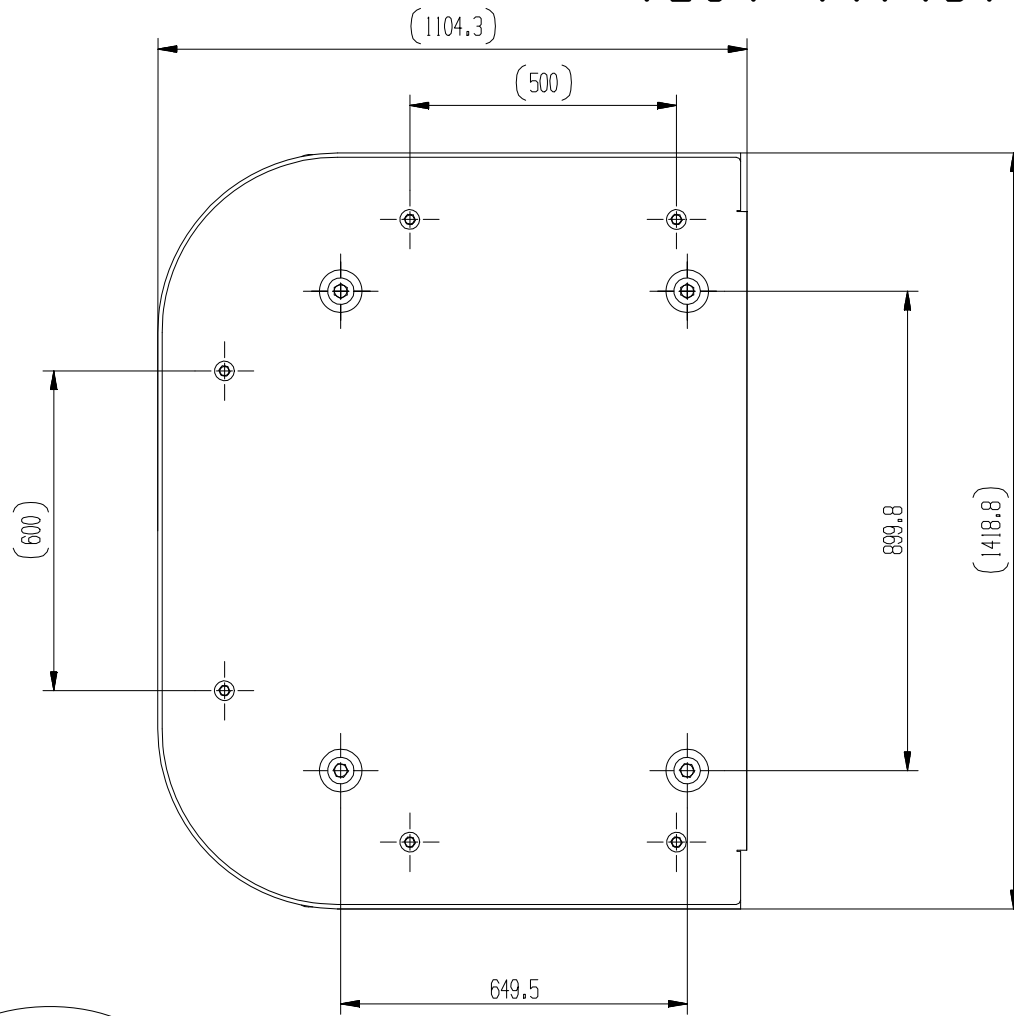
10	8T-4137B	BOLT (M10x20)	8
9	8T-4136B	BOLT (M10x25)	4
8	8T-4121B	WASHER (11x21x2.5)	12
7	9X-8257B	WASHER (17.5x30x3.5)	2
6	7X-2552B	BOLT (M16x30)	6
5	8T-4122B	WASHER (17x32x3.5)	4
4	293-1856B	COVER	2
3	293-1859B	BRACKET AS. - LH	1
2	293-1857B	BRACKET AS. - RH	1
1	252-6801B	SCREEN AS	1
PC NO	PART NO.	PART NAME	QTY

# D6K-1 SWEEP GP-FRONT (B250-1700)



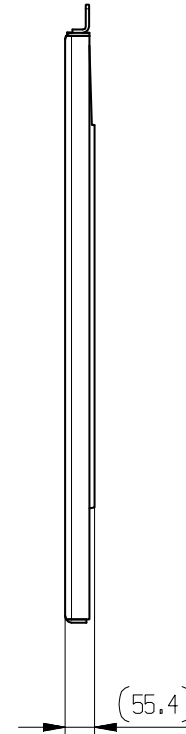
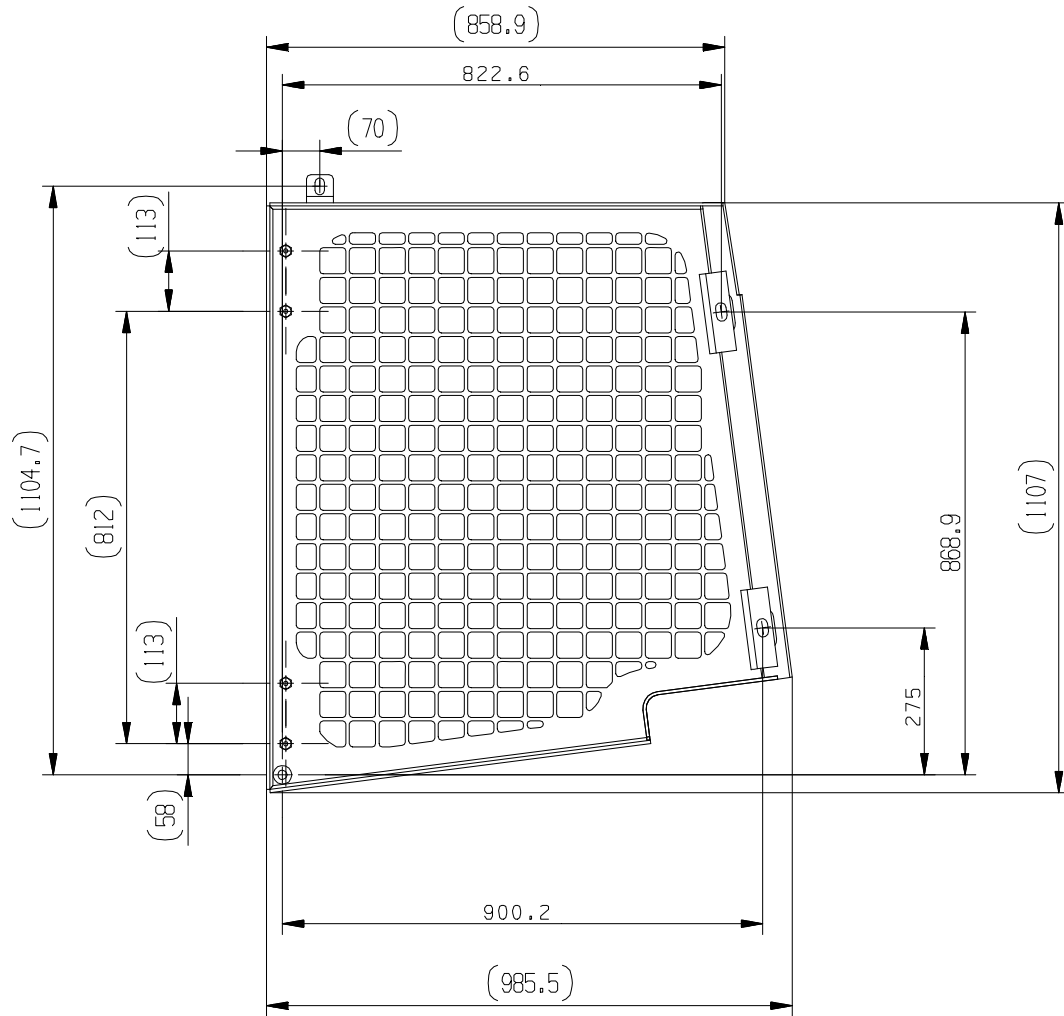
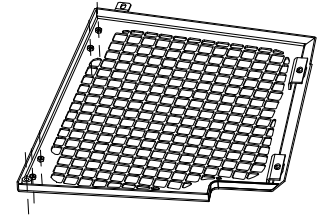
UNITS: mm  
WEIGHT: 158.7 kg

# D6K (OROPS) SWEEP GP-REAR (294-4474B)



UNITS : mm  
WEIGHT : 123 kg

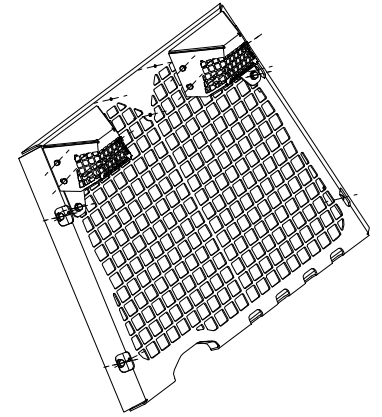
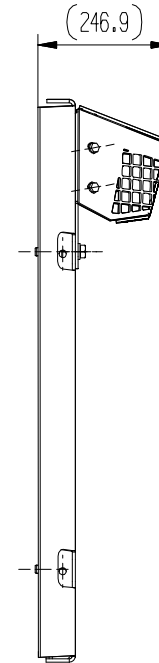
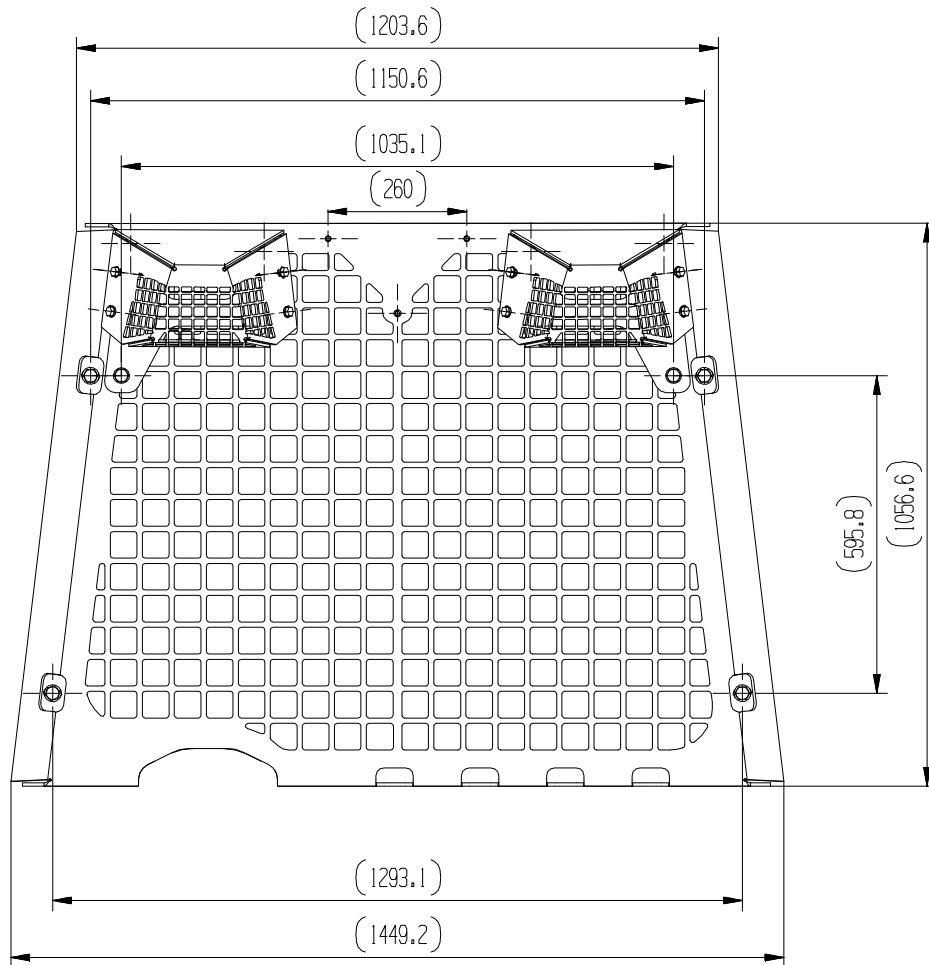
**SCREEN 6P-SIDE**  
**(D5K; D6K-1; D6K-2B; D6K-2C; D6K-OROPS)**



UNITS: mm  
WEIGHT: 26.8 kg



SCREEN GP - REAR (OROPS)  
D6K (250-1697B)



UNITS : mm  
WEIGHT : 58.3KG