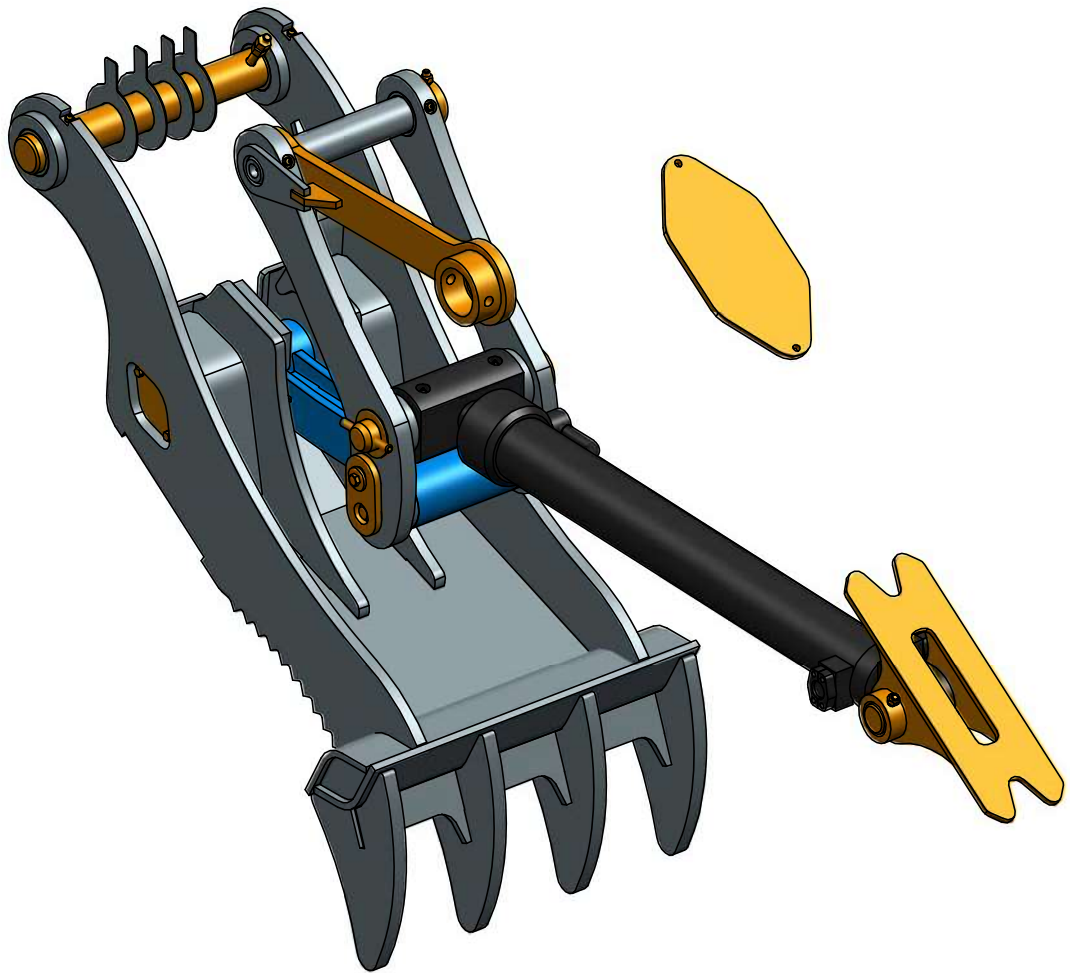
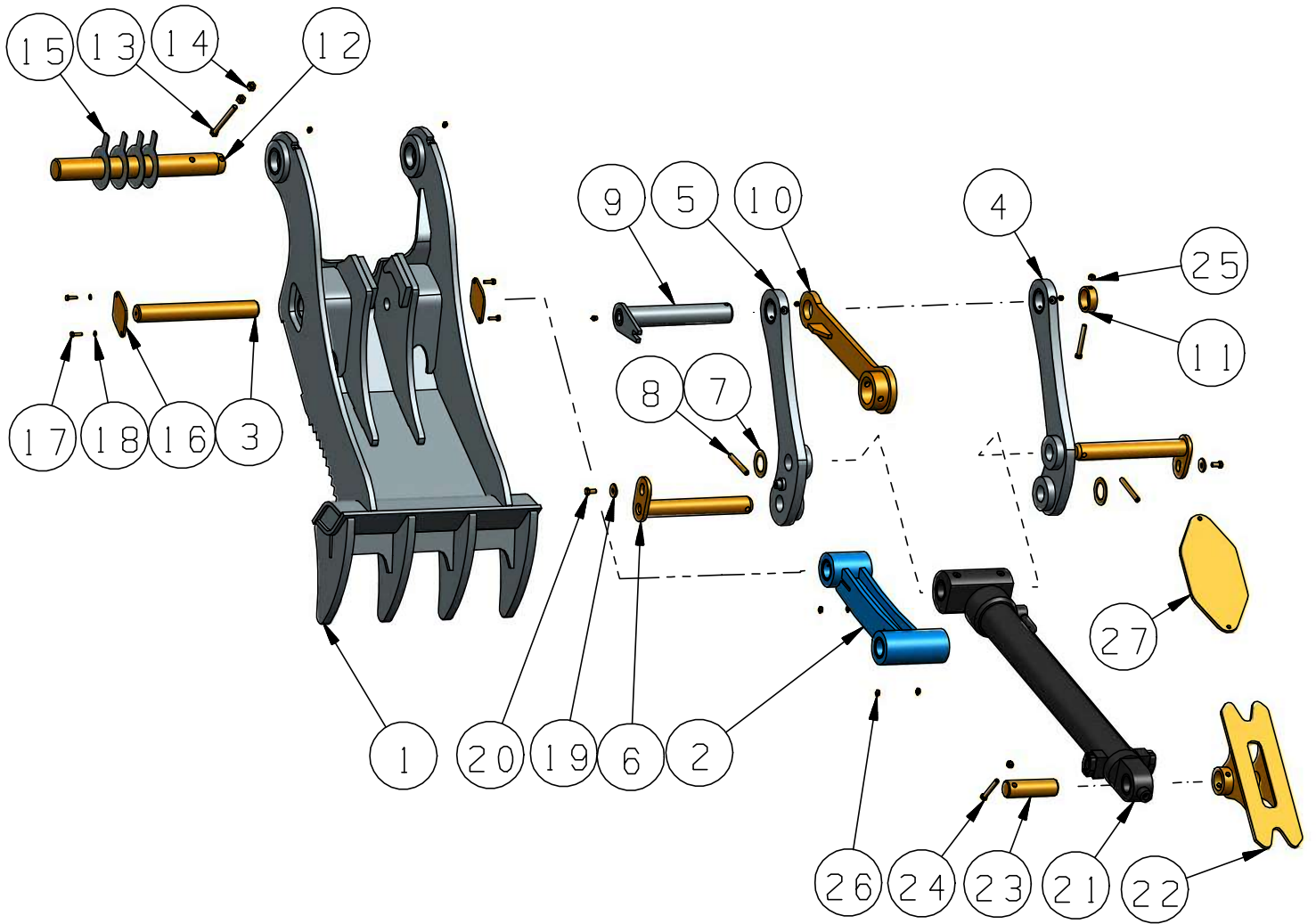


THUMB GP (387-9738B)



**THUMB GP-PIN GRABBER, 4 -TOOTH
FULL ROTATION
FOR USE WITH 914-MM(36-IN) BUCKET**

THUMB GP (387-9738B)



27	379-7031B	PLATE-STOP	1
26	3B-8489B	ADAPTER-STR	9
25	6V-7687B	LOCKNUT(M12)	2
24	7X-2549B	BOLT(M12x100)	2
23	379-7002B	PIN	1
22	379-7030B	BRACKET AS	1
21	378-5574B	CYL GP-BASIC	1
20	8T-4192B	BOLT(M12x25)	2
19	7X-0618B	WASHER (12)	2
18	9M-1974B	WASHER (8)	4
17	8T-7547B	BOLT(M8x30)	4
16	391-3834B	PLATE-CAP	2
15	392-3640B	PLATE-SHIM	4
PC NO	PART NAME		QTY

14	096-4876B	NUT(M14)	2
13	248-5474B	BOLT(M14x160)	1
12	392-3641B	PIN-STICK	1
11	249-0165B	TUBE-RETAINER	1
10	247-7642B	LINK AS	1
9	379-6998B	PIN S-IDLER	1
8	6Y-2266B	PIN	2
7	9R-5438B	WASHER	2
6	379-6995B	PIN AS-IDLER	2
5	379-6993B	LINK AS-IDLER	1
4	379-6992B	LINK AS-IDLER	1
3	185-8079B	PIN	1
2	379-6994B	LINK AS-POWER	1
1	387-9739B	THUMB AS.	1
PC NO	PART NAME		QTY