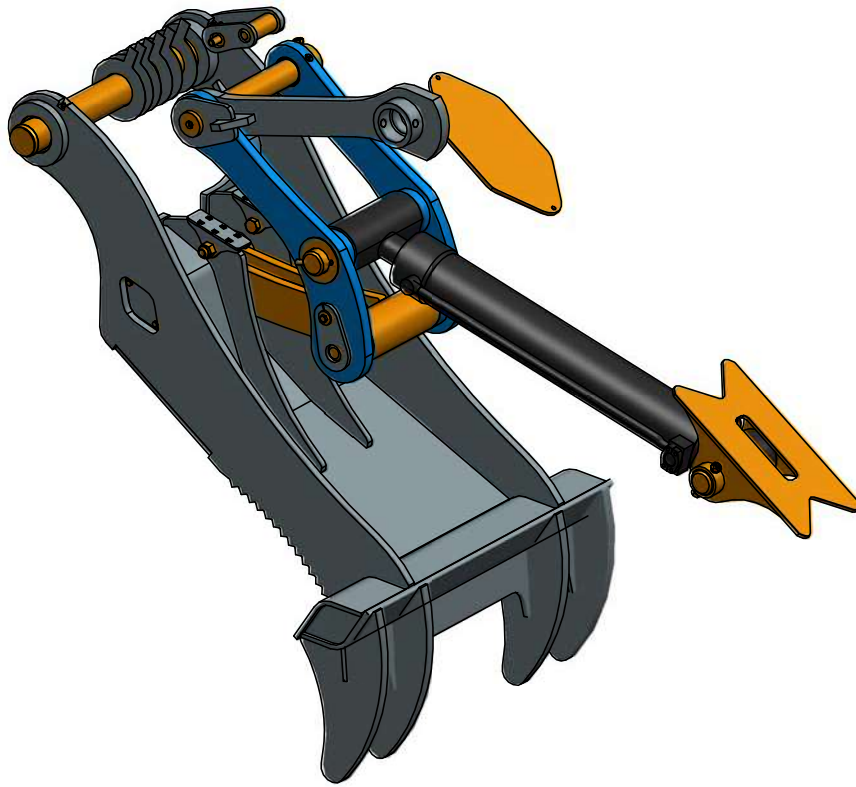
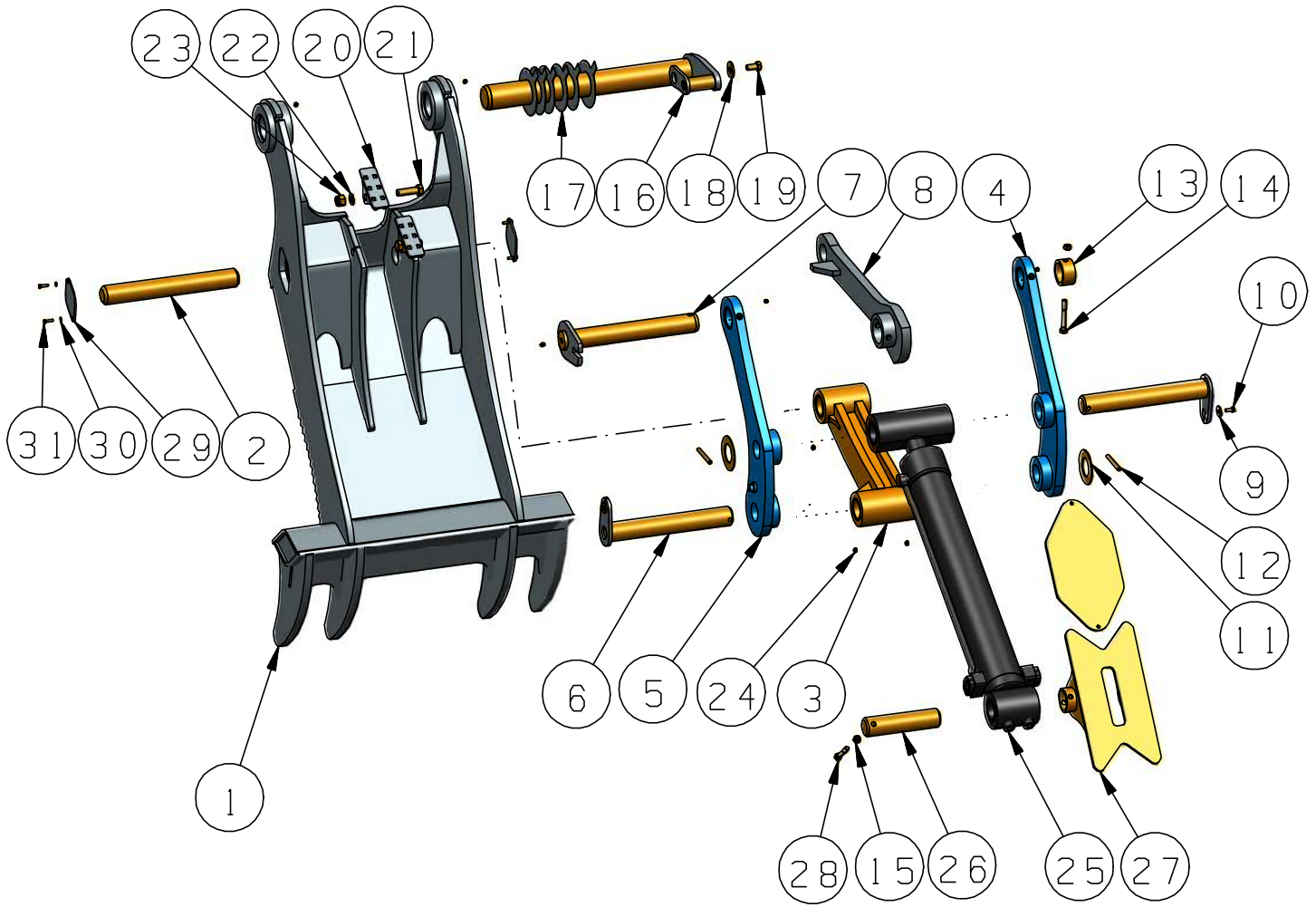


THUMB GP (418-0392B)



**THUMB GP -PIN GRABBER, 4-TOOTH
FULL ROTATI ON
FOR USE WITH 1372-MM (54-IN) BUCKET**

THUMB GP (418-0392B)



31	BT-7547B	BOLT (M8x30)	4
30	9M-1974B	WASHER (8.8x16x2)	4
29	384-3913B	PLATE-CAP	2
28	BT-4173B	BOLT (M16x110)	1
27	386-3919B	BRACKET GP-FOR STICK	1
26	384-3914B	PIN	1
25	417-0223B	CYL GP-BASIC	1
24	3B-8489B	ADAPTER -STR	9
23	6V-7676B	LOCKNUT (M24)	2
22	5P-8249B	WASHER (24)	2
21	BT-5878B	BOLT (M24x80)	2
20	384-3910B	PAD AS-STOP	2
19	BT-5460B	BOLT (M20x25)	1
PC NO	PART NO.	PART NAME	QTY

18	093-0349B	WASHER (22x60x6)	1
17	263-9600B	SPACER	6
16	394-1765B	PIN AS (STICK)	1
15	8T-4778B	LOCKNUT (M16)	2
14	8T-4174B	BOLT (M16x120)	1
13	384-4034B	TUBE-RETAINER	1
12	6Y-2266B	PIN	2
11	222-7101B	WASHER (71x130x3)	2
10	8T-4192B	BOLT (M12x25)	2
9	7X-0618B	WASHER (13.5x40x5)	2
8	320-5201B	LINK AS	1
7	420-0500B	PIN AS-IDLER	1
6	420-0501B	PIN AS-CYLINDER	2
5	420-0498B	LINK AS-IDLER	1
4	420-0497B	LINK AS-IDLER	1
3	420-0499B	LINK AS-POWER	1
2	394-1764B	PIN	1
1	418-0393B	THUMB AS	1
PC NO	PART NO.	PART NAME	QTY