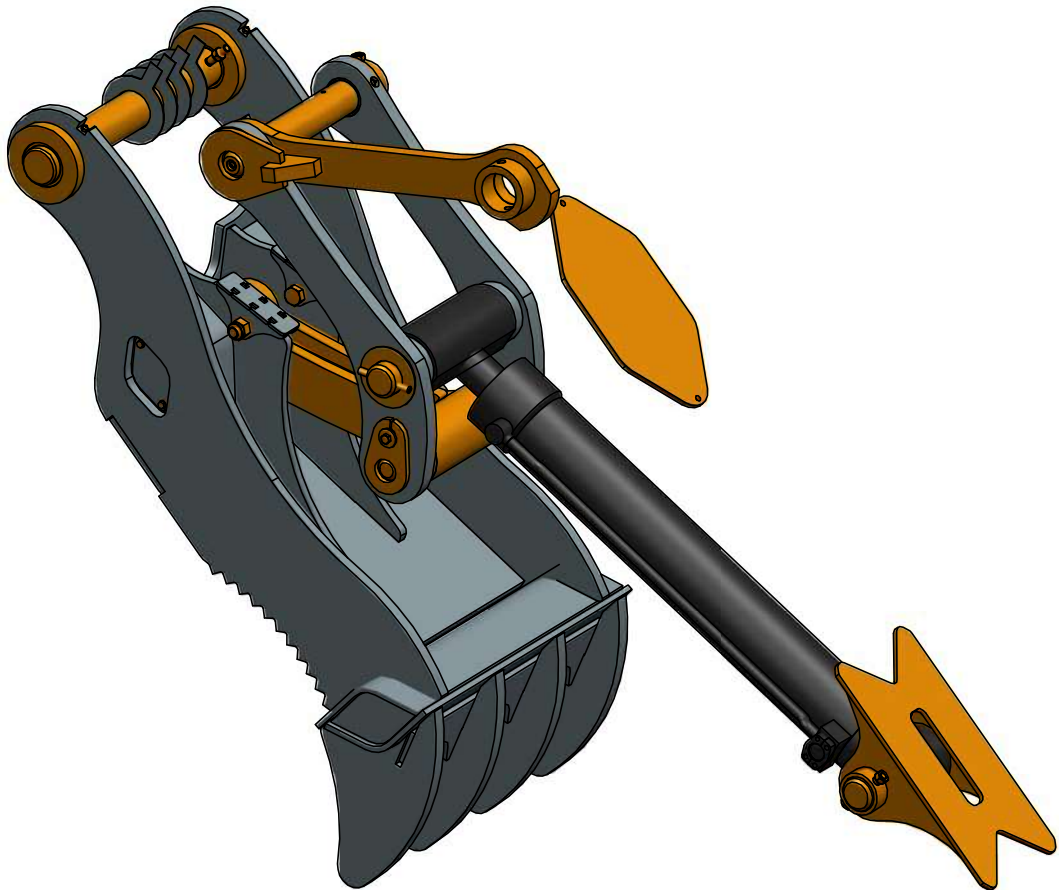
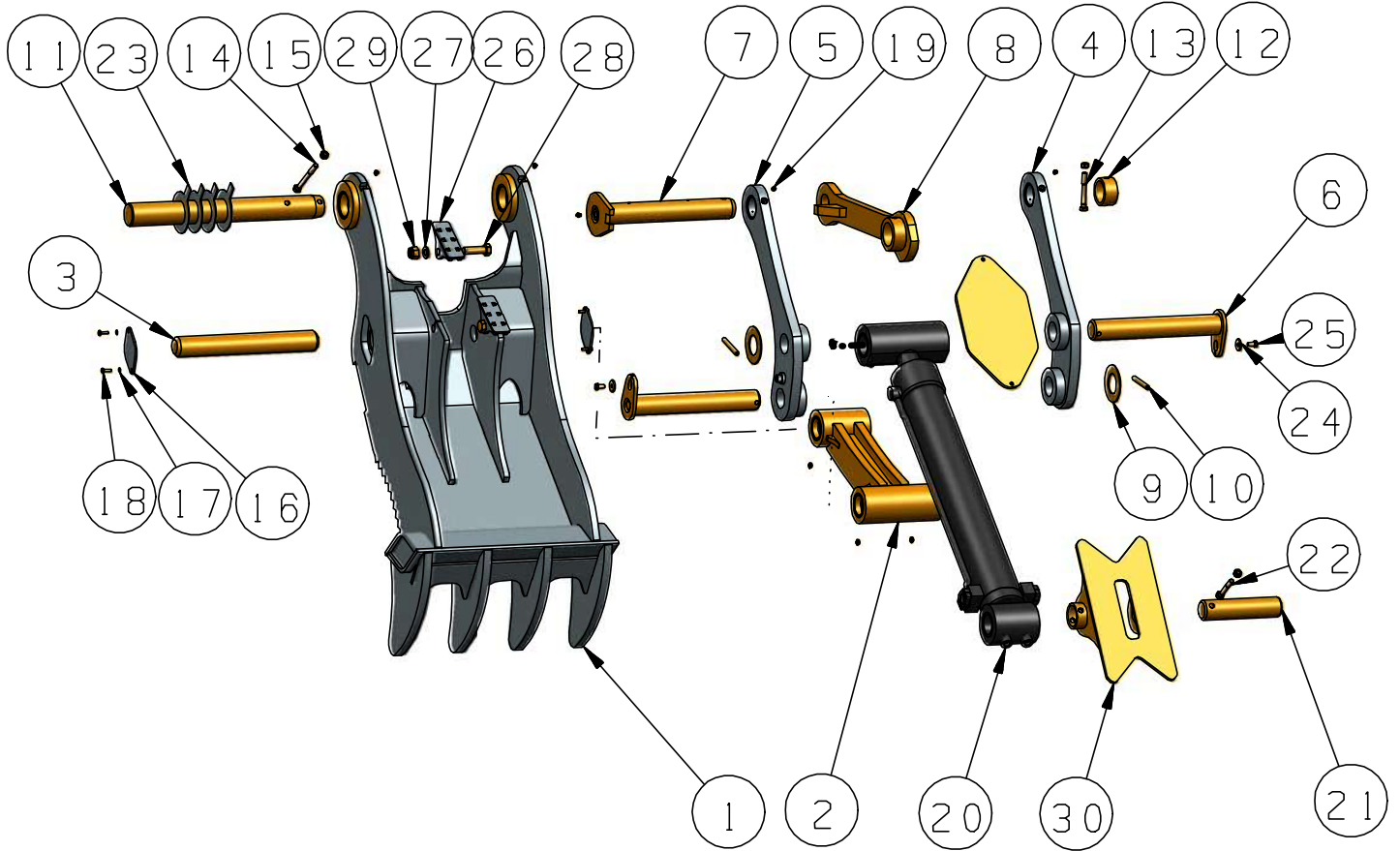


THUMB GP (422-2638B)



**THUMB GP PIN GRABBER, 4-TOOTH
FULL ROTATION
FOR USE WITH 10670MM(42-IN) BUCKET**

THUMB GP (422-2638B)



30	386-3919B	BRACKET GP-MOUNT	1	16	384-3913B	PLATE-CAP	2
29	6V-7676B	LOCKNUT(M24)	2	15	8T-4778B	LOCKNUT(M16)	3
28	8T-5878B	BOLT(M24x80)	2	14	8T-6385B	BOLT(M16x180)	1
27	5P-8249B	WASHER(24)	2	13	8T-4174B	BOLT(M16x120)	1
26	384-3910B	PAD AS-STOP	2	12	384-4034B	TUBE-RETAINER	1
25	8T-4192B	BOLT(M12x25)	2	11	484-2149B	PIN-STICK	1
24	7X-0618B	WASHER(13.5x40x5)	2	10	6Y-2266B	PIN	2
23	137-8479B	SPACER	4	9	222-7101B	WASHER(71x130x3)	2
22	8T-4173B	BOLT(M16x110)	1	8	299-6748B	LINK AS	1
21	384-3914B	PIN	1	7	386-9500B	PIN AS-IDLER	1
20	417-0223B	CYL-GP-BASIC	1	6	387-0280B	PIN AS-CYLINDER	2
19	3B-8489B	ADAPTER-STR	9	5	387-0278B	LINK AS-IDLER	1
18	8T-7547B	BOLT(M8x30)	4	4	387-0277B	LINK AS-IDLER	1
17	9M-1974B	WASHER(8)	4	3	394-1764B	PIN	1
PC NO	PART NO.	PART NAME	QTY	2	387-0279B	LINK AS-POWER	1
				1	422-2639B	THUMB AS	1
				PC NO	PART NO.	PART NAME	QTY