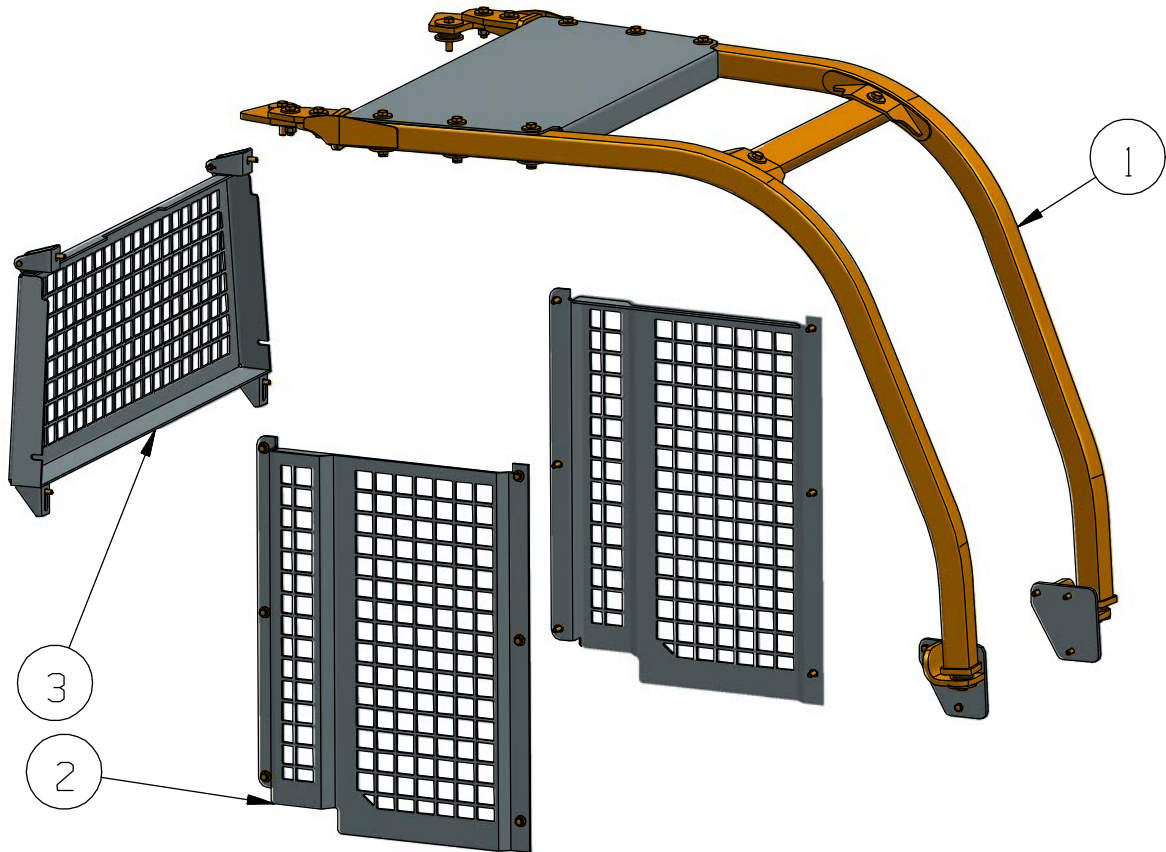
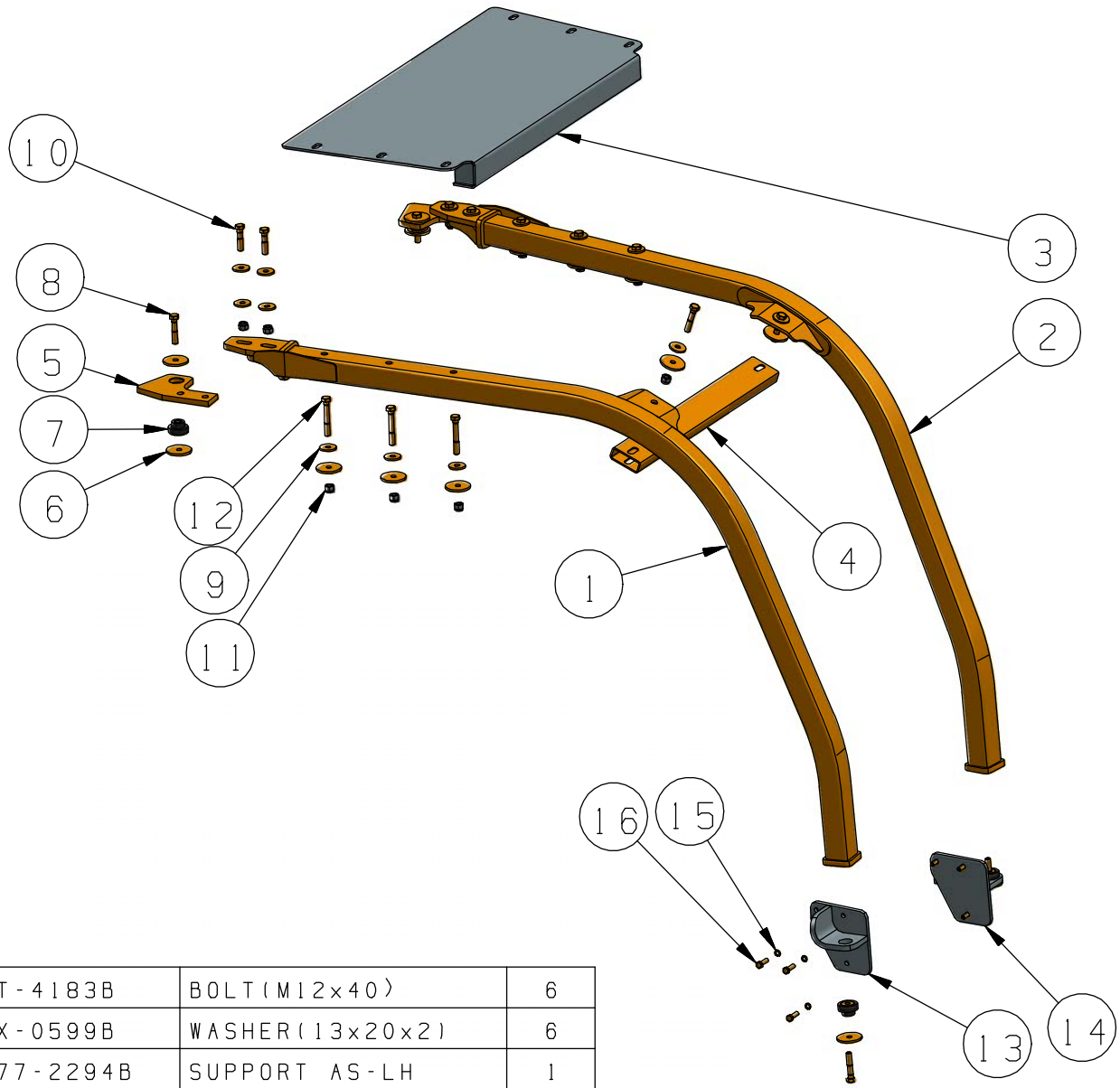


PROTECTION SYS-(D56)



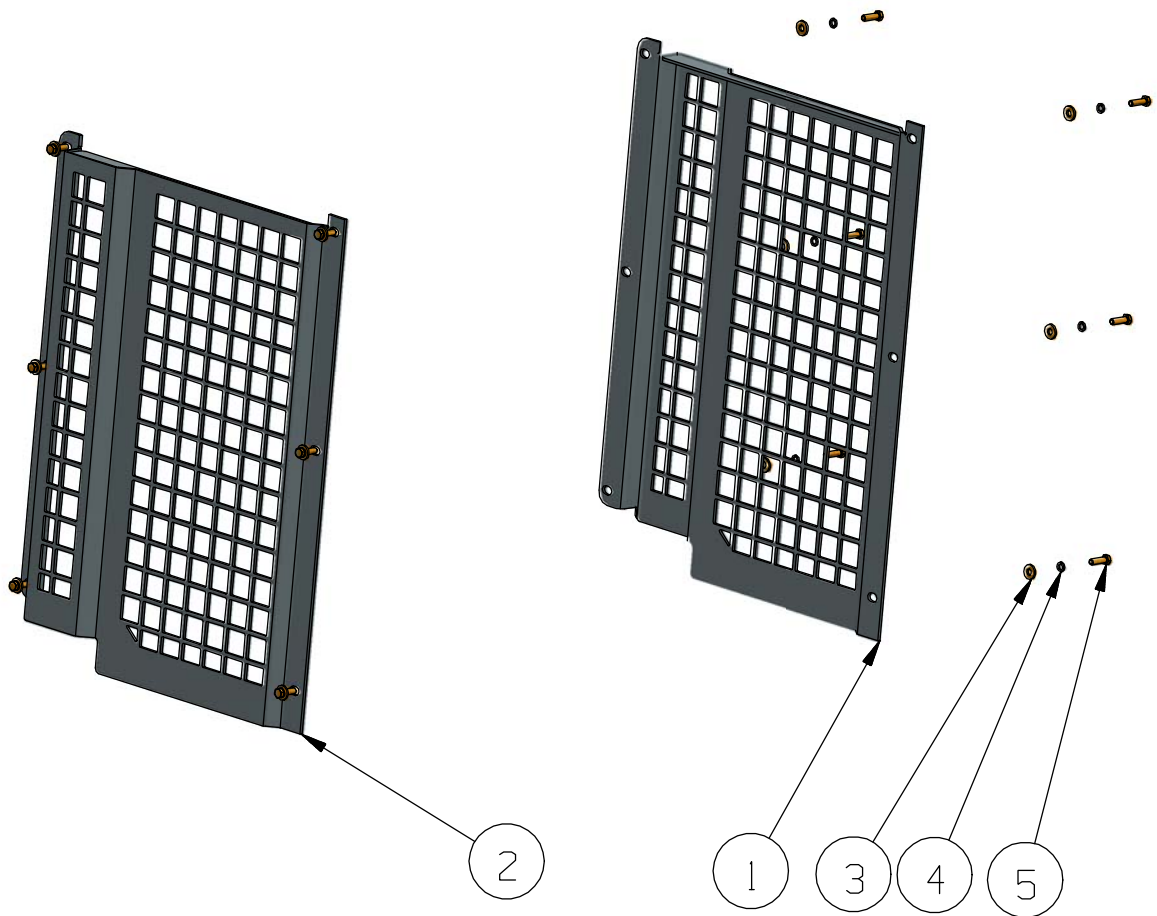
3	190-1200B	REAR SCREEN GP	1
2	190-1190B	SCREEN GP-SIDE (L/R)	1
1	184-1620B	SWEEP GP	1
PC NO	PART NAME	PART NAME	QTY

D5G - SWEEP GP (184-1620B)



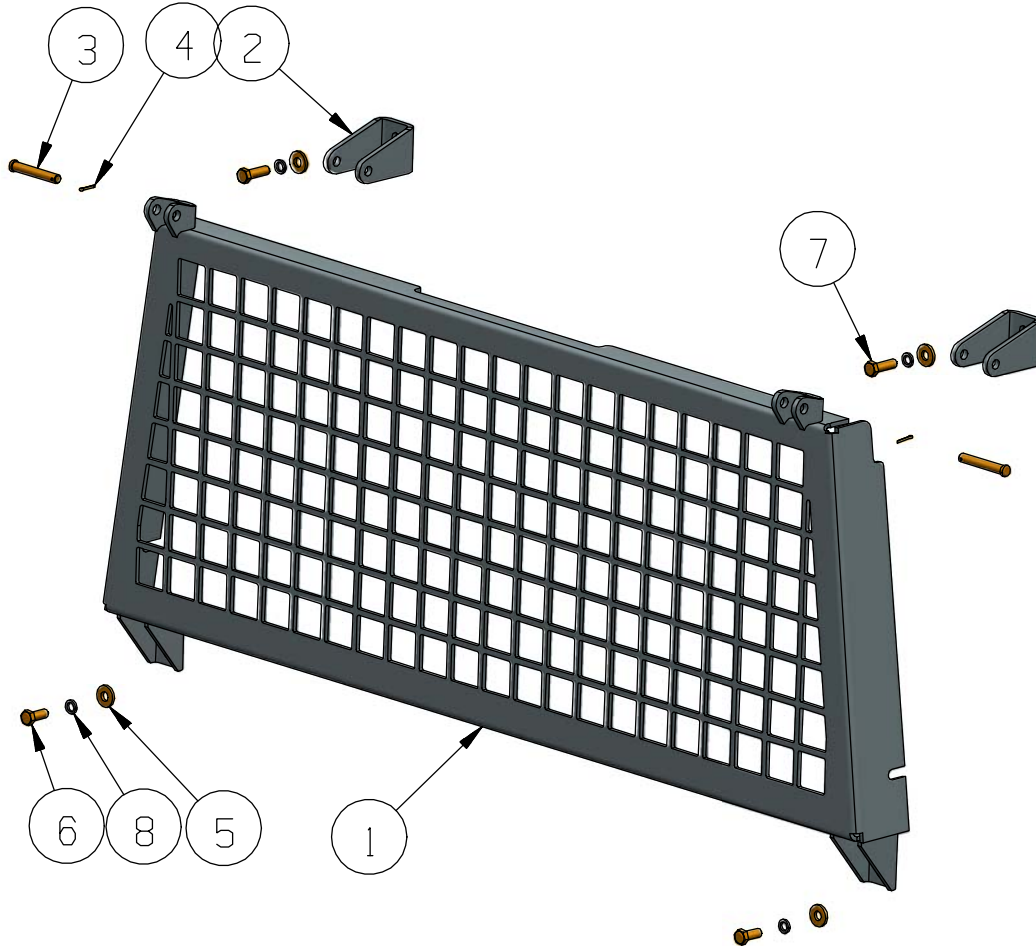
16	8T-4183B	BOLT(M12x40)	6
15	7X-0599B	WASHER(13x20x2)	6
14	177-2294B	SUPPORT AS-LH	1
13	177-2293B	SUPPORT AS-RH	1
12	8T-4173B	BOLT(M16x110)	6
11	090-4885B	LOCKNUT(M16)	12
10	7X-2554B	BOLT(M16x70)	4
9	3V-9244B	BIG WASHER(16)	16
8	7X-2555B	BOLT(M16x80)	6
7	B263-6689	RUBBER BUSH	4
6	5V-0500B	WASHER(16.5x75x6)	14
5	184-1618B	PLATE	2
4	177-2296B	TUBE	1
3	B190-1185	PLATE AS	1
2	190-1184B	SWEEP AS.-LH	1
1	184-1617B	SWEEP AS-RH	1
PC NO	PART NO.	PART NAME	QTY

**SCREEN 6P (SIDE)
190-1190B-(D5G)**

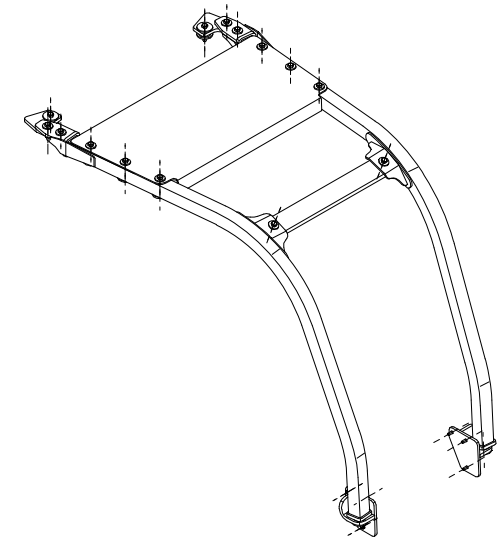
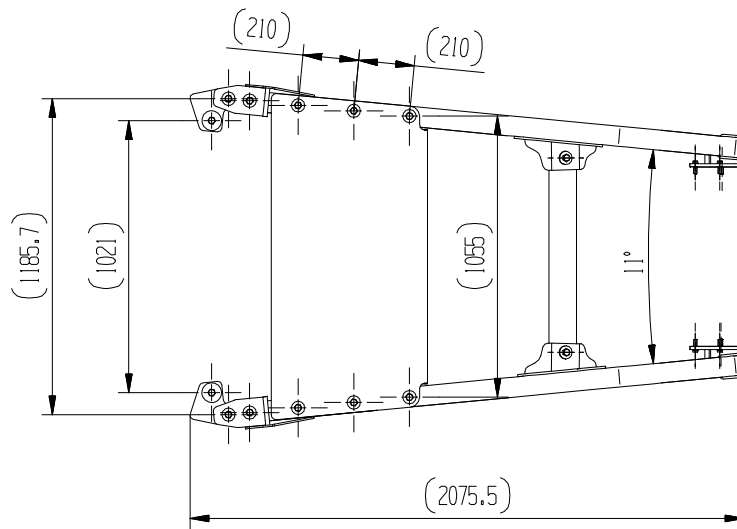
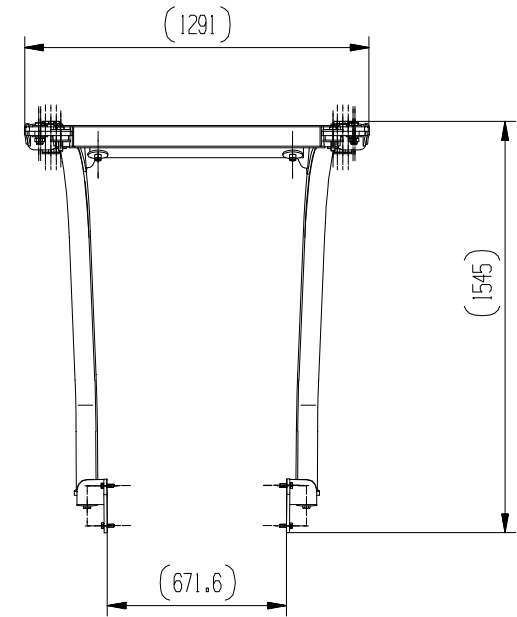
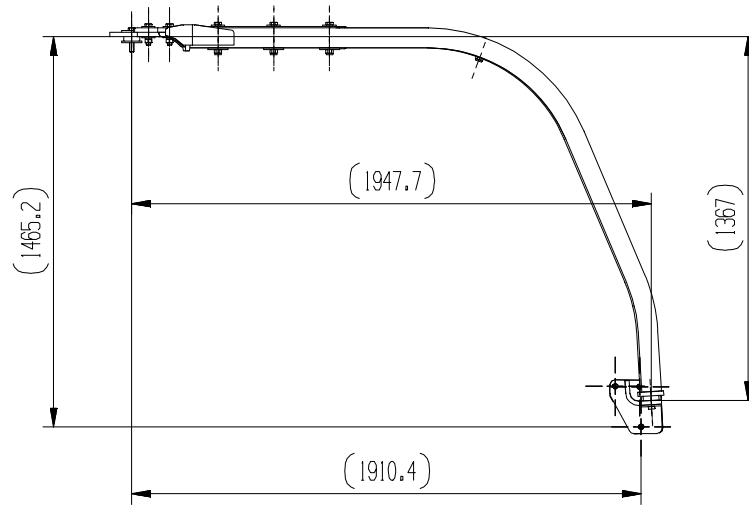


5	8T-4183B	BOLT (M12x40)	12
4	B93-12	SPRING WASHER (12)	12
3	5P-1076B	WASHER (13.5x30x4)	12
2	D5G-B2001R	SCREEN-RIGHT	1
1	D5G-B2001L	SCREEN-LEFT	1
PC NO	PART NAME	PART NAME	QTY

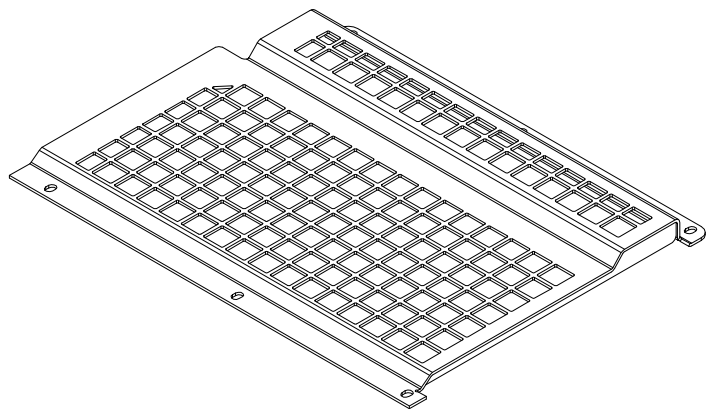
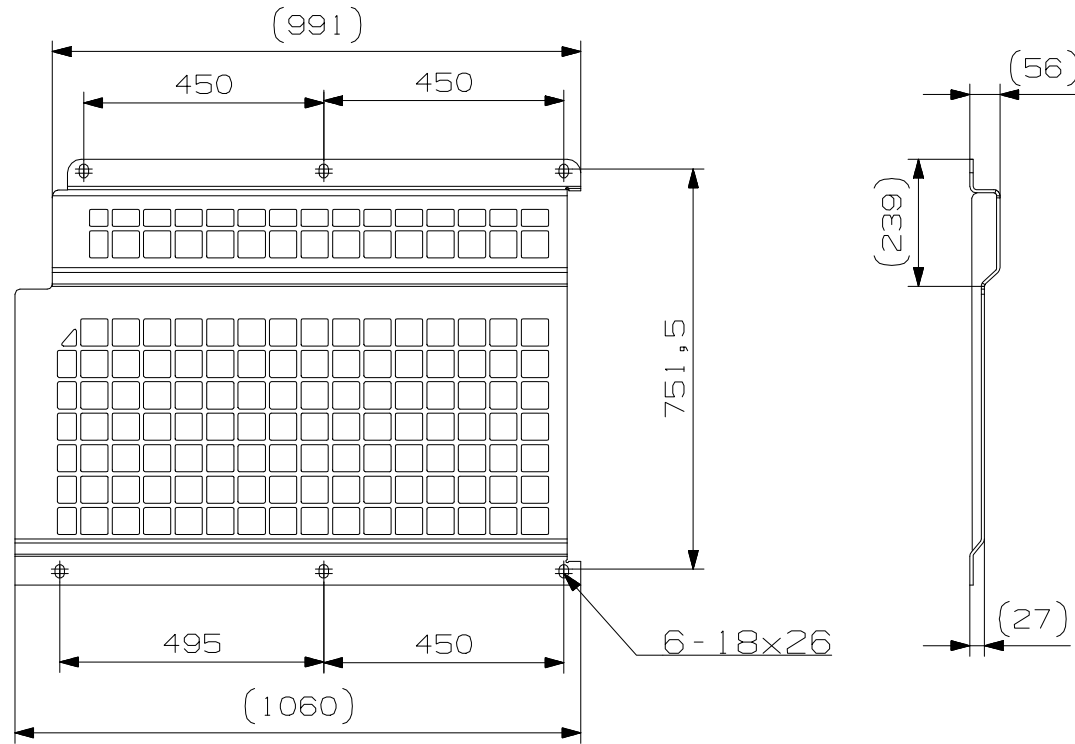
**REAR SCREEN GP
190-1200B-(D5G)**



8	B93-12	SPRING WASHER(12)	4
7	8T-4183B	BOLT(M12x40)	2
6	8T-4139B	BOLT(M12x30)	2
5	5P-1076B	WASHER(13.5x30x4)	4
4	3B-4615B	COTTER PIN(3.2x20)	2
3	6S-9277B	PIN-AXIS	2
2	184-1631B	CLEVIS BRACKET	2
1	D5G-B3001	REAR SCREEN AS.	1
PC NO	PART NAME	PART NAME	QTY

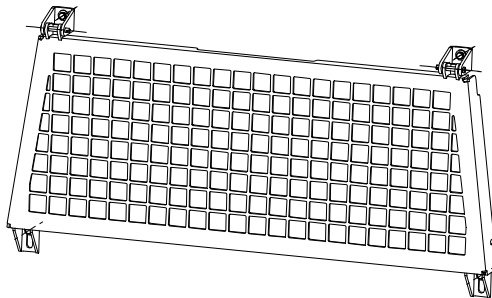
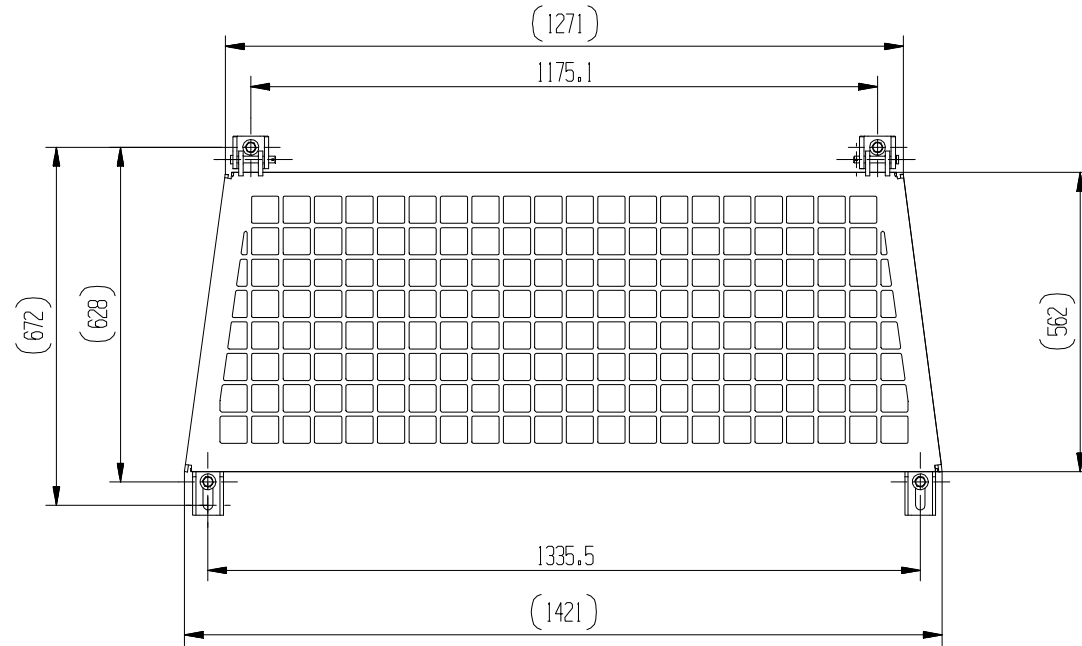
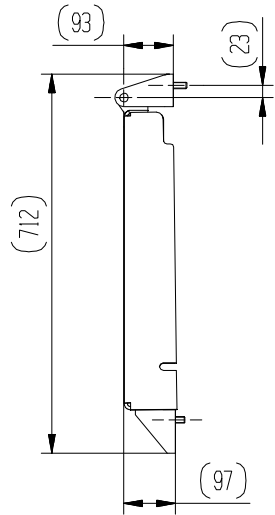


MODEL :	D5G	
NAME :	SWEEP GP	
NO_ :	184-1620B	
WEIGHT :	138 kg	UNITS: mm



SCREEN AS. LH/RH SYMMETRY

MODEL :	D56	
NAME :	SCREEN AS. -RH	
NO_ :	191-1191B	
WEIGHT :	25.3 kg	UNITS: mm



MODEL :	D5G		
NAME :	SCREEN GP-REAR		
NO_ :	190-1200B		
WEIGHT :	30	kg	UNITS: mm