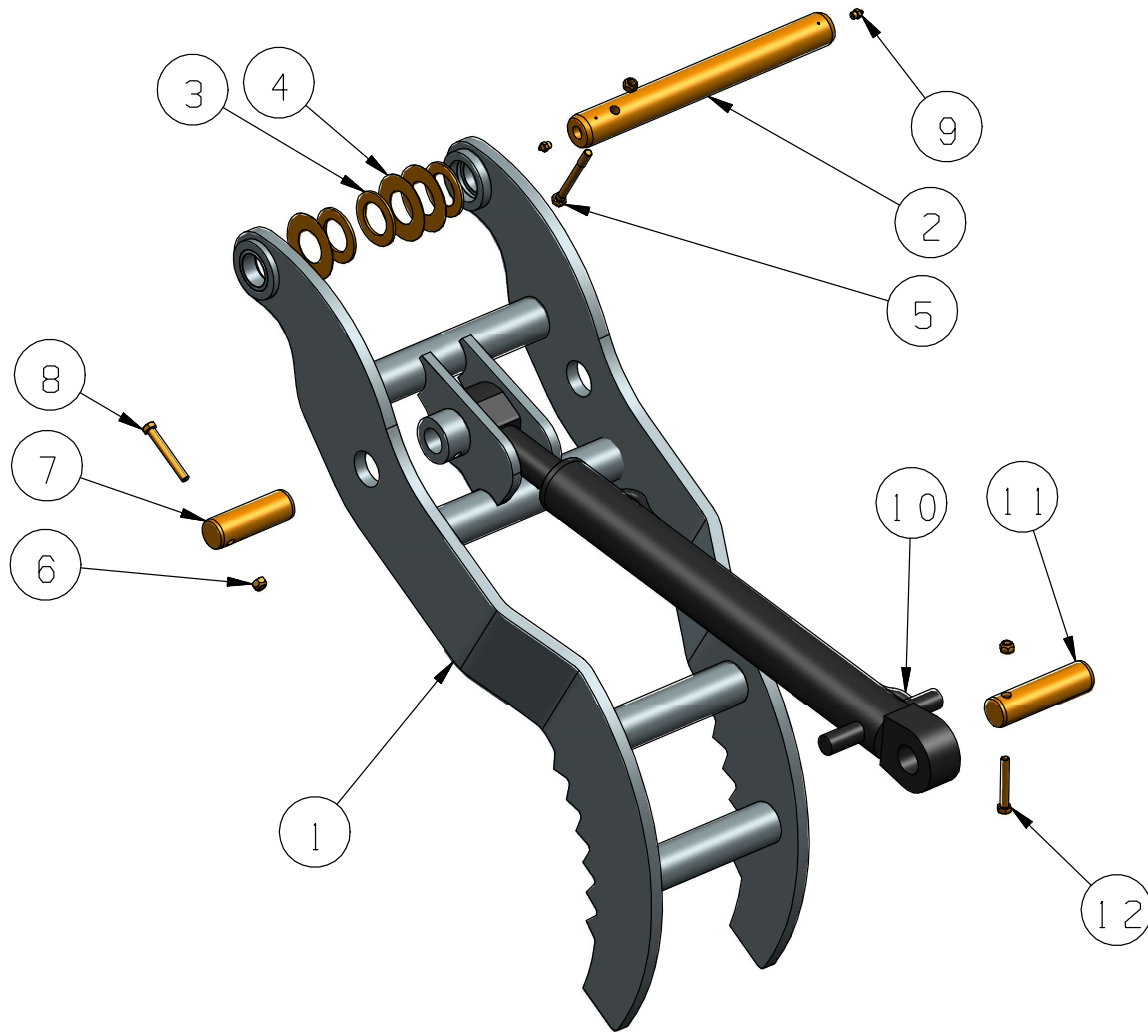


THUMB GP (305-6741B)



12	8T-6868B	BOLT(M12x80)	1
11	305-6795B	PIN	1
10	305-6716B	CYL GP	1
9	3B-8489B	ADAPTER-STR	2
8	8T-4176B	BOLT(M12x90)	1
7	305-6796B	PIN	1
6	6V-7687B	LOCKNUT(M12)	3
5	8T-5041B	BOLT(M12x120)	1
4	178-8467B	SHIM(100x51x1)	3
3	9R-1510B	WASHER(82x51x4)	3
2	425-6641B	PIN	1
1	440-0646B	FRAME AS-THUMB	1
PC NO	PART NO.	PART NAME	QTY