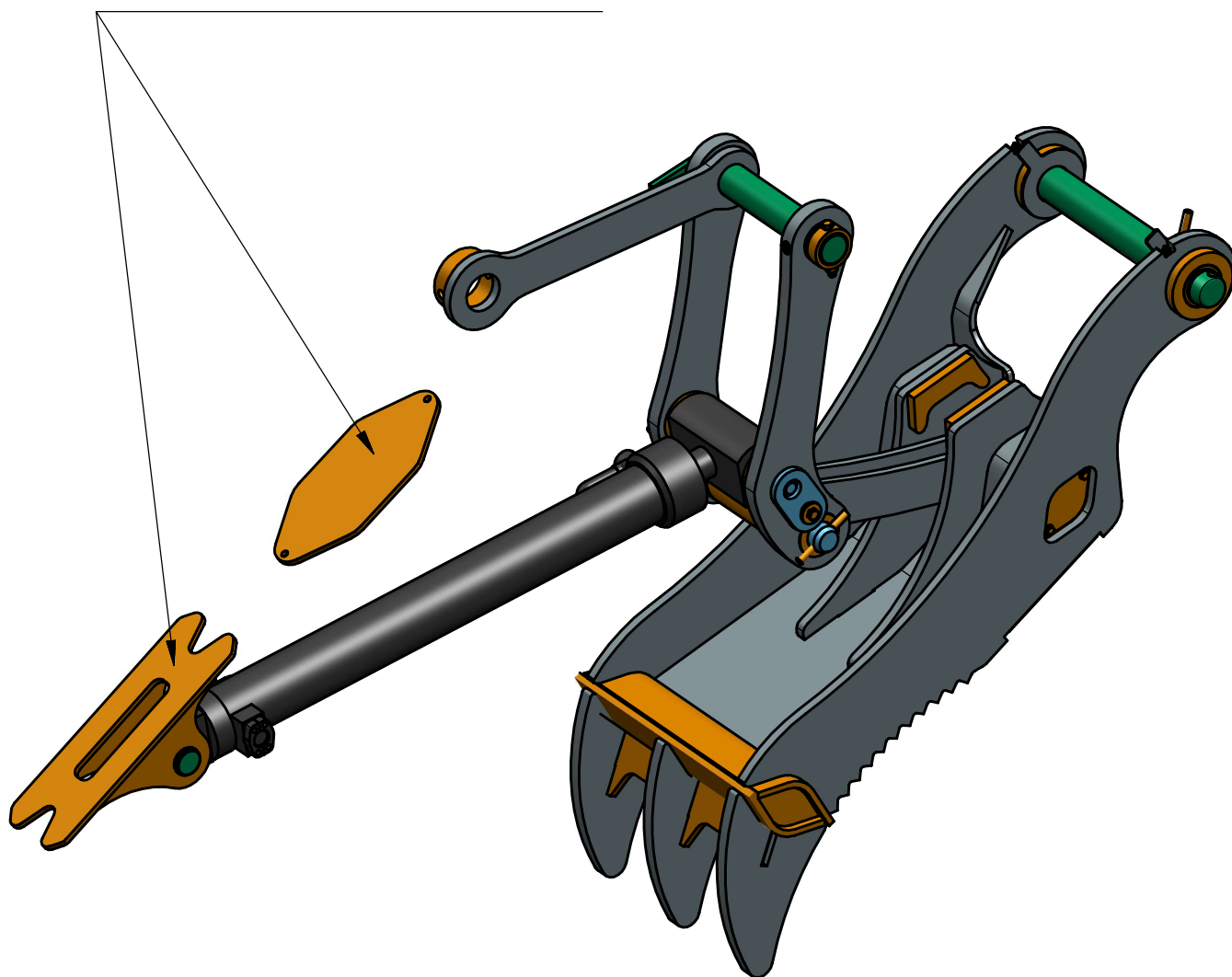


THUMB GP (387-9736B)

WELDING FOR STICK

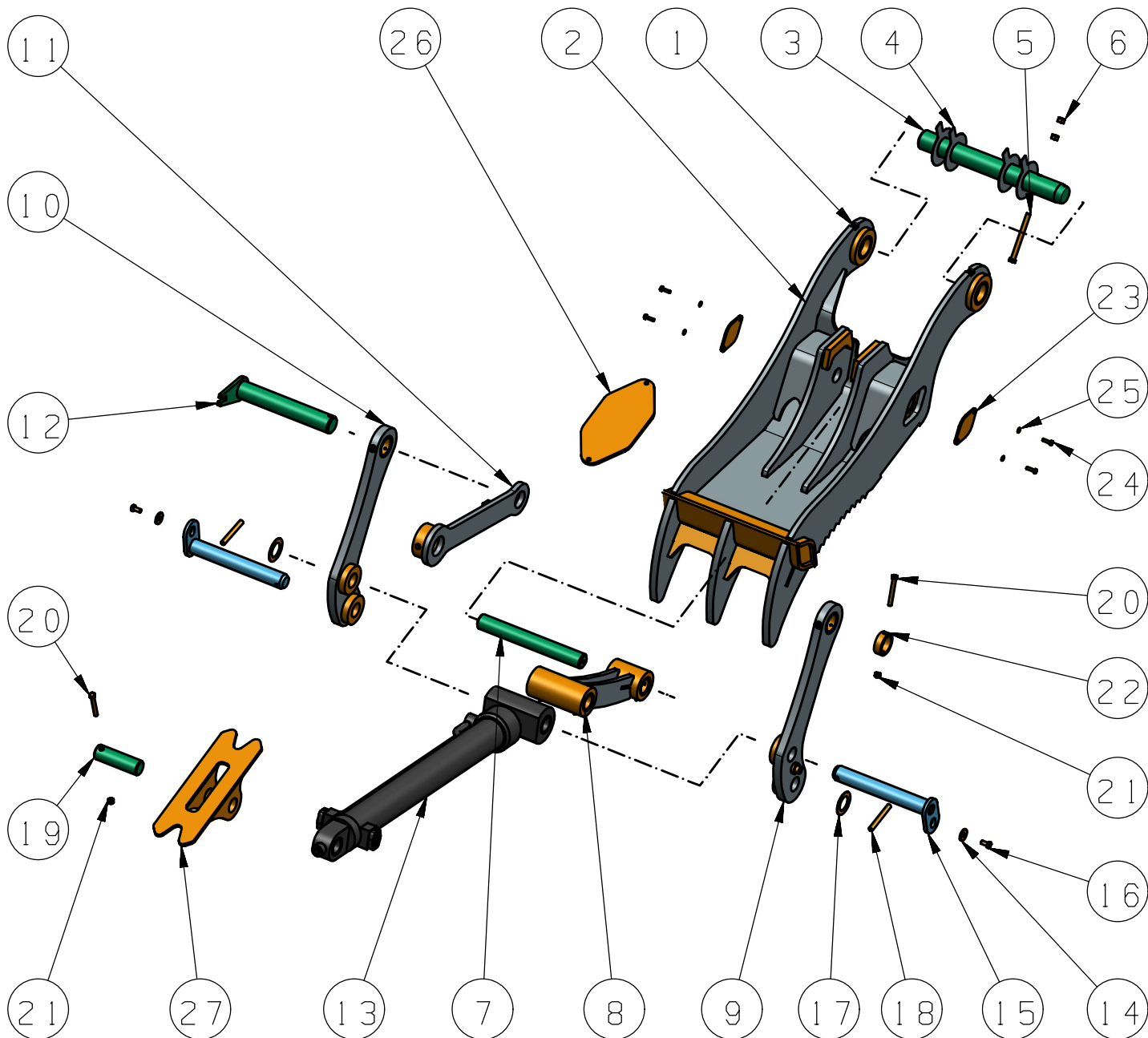


MODEL : (311 ; 312 ; 314)

THUMB GP - PIN GRABBER ; 3 - TOOTH

FULL ROTATION

FOR USE WITH 700 MM (28 IN) BUCKET



27	379-7030B	BRACKET AS	1	14	7X-0618B	WASHER-HARD	2
26	379-7031B	PLATE-STOP	1	13	378-5574B	CYLINDER GP-THUMB	1
25	9M-1974B	WASHER-HARD	4	12	379-6998B	PIN AS (IDLER)	1
24	8T-7547B	BOLT (M8X1.25X30)	4	11	247-7642B	LINK AS	1
23	391-3834B	PLATE-CAP	2	10	379-6993B	LINK AS-IDLER (LH)	1
22	249-0165B	TUBE-RETAINER	1	9	379-6992B	LINK AS-IDLER (RH)	1
21	6V-7687B	LOCKNUT (M12X1.75-THD)	2	8	379-6994B	LINK AS (POWER)	1
20	7X-2549B	BOLT (M12X1.75X100)	2	7	185-8079B	PIN(50.8x400)	1
19	379-7002B	PIN(50.8X165)	1	6	096-4876B	NUT (M14X2-THD)	2
18	6Y-2266B	PIN(14.6x120)	2	5	248-5474B	BOLT (M14X2X160)	1
17	9R-5438B	WASHER (51X82X2 THK)	2	4	392-3640B	PLATE-SHIM	4
16	8T-4192B	BOLT (M12X1.75X25)	2	3	392-3641B	PIN(STICK)	1
15	379-6995B	PIN AS (IDLER)	2	2	387-9737B	THUMB AS	1
				1	3B-8489B	FITTING-GREASE (1/8-27PTF)	9