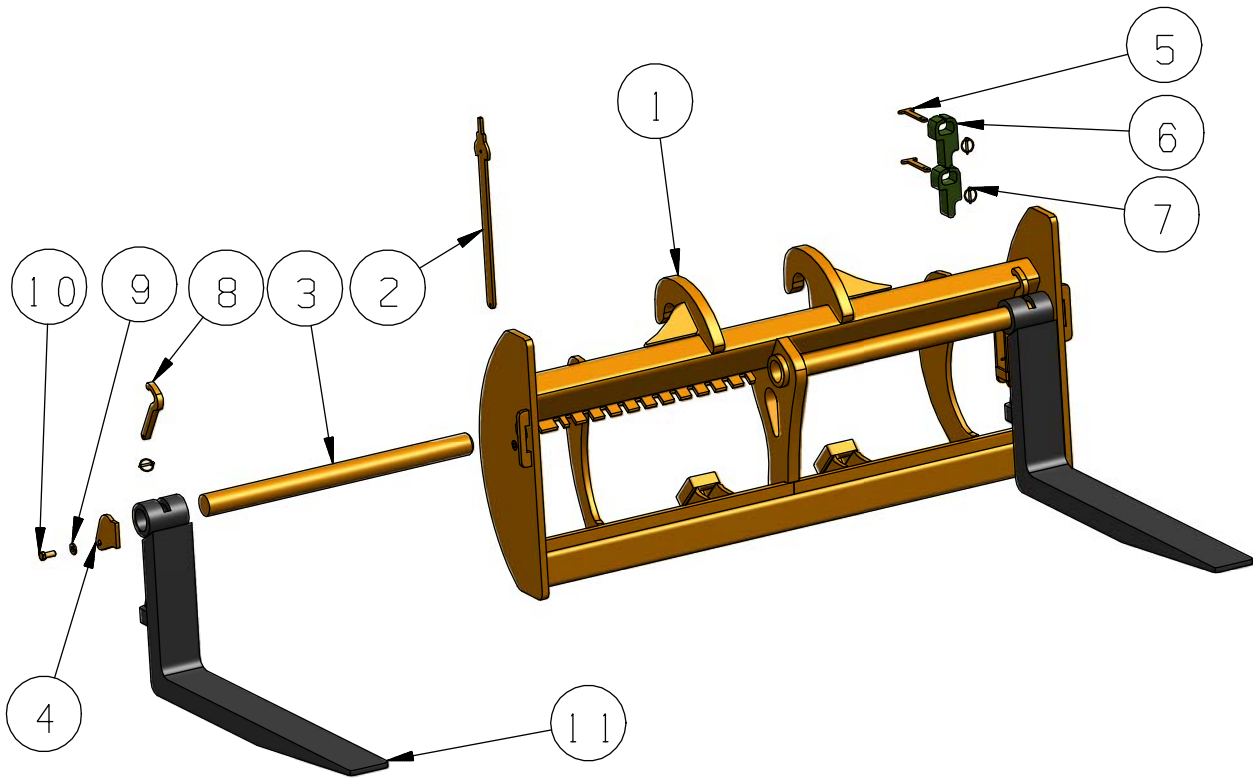
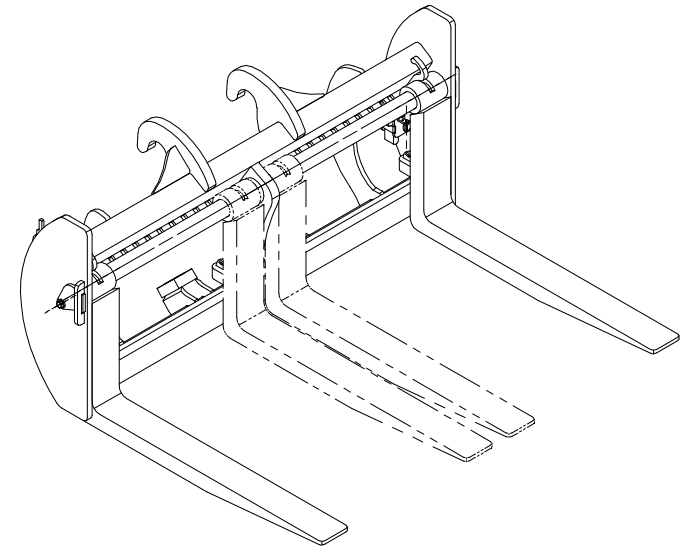
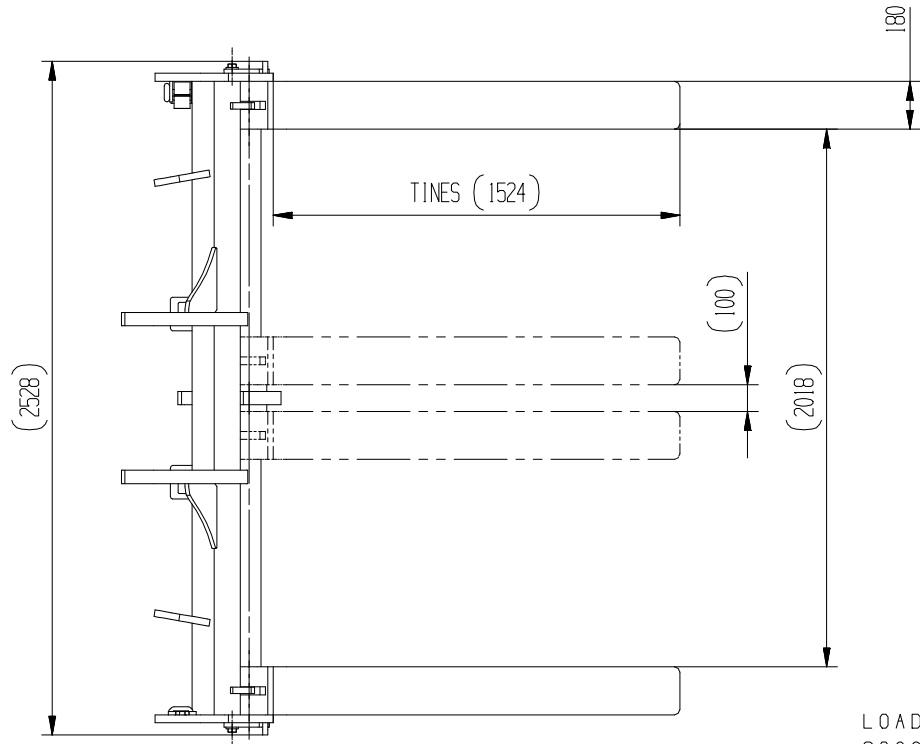
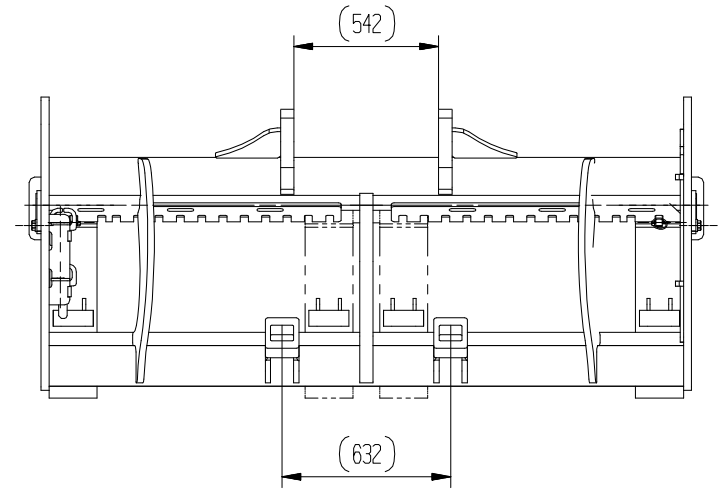
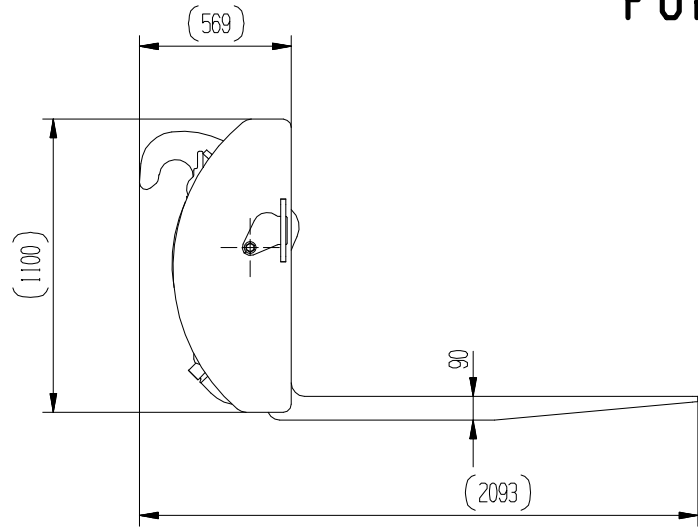


# FORK GP (378-9993B)



11	B378-9995	TINE (60 IN)	2
10	8T-6430B	BOLT (M20x50)	2
9	8T-5439B	WASHER (20)	2
8	378-9999B	PLATE - LOCK	2
7	103-5796B	PIN	4
6	368-2352B	PLATE - LOCK	2
5	352-6236B	PLATE	2
4	352-6237B	PLATE	2
3	327-3844B	SHARFT	2
2	316-3590B	PLATE - TOOL	1
1	B352-6208	CARRIAGE AS.	1
PC NO	PART NO.	PART NAME	QTY

# FORK GP (378-9993B)



LOAD CAPACITY:  
8900 KG PER TINE AT 672 LOAD CENTER.

MODEL:	950K ; 966H
NAME:	FORK GP
NO_:	378-9993B
WEIGHT:	1342 kg UNITS: mm