

# OPERATORS PARTS MANUAL

**BEDROCK**  
ATTACHMENTS

---

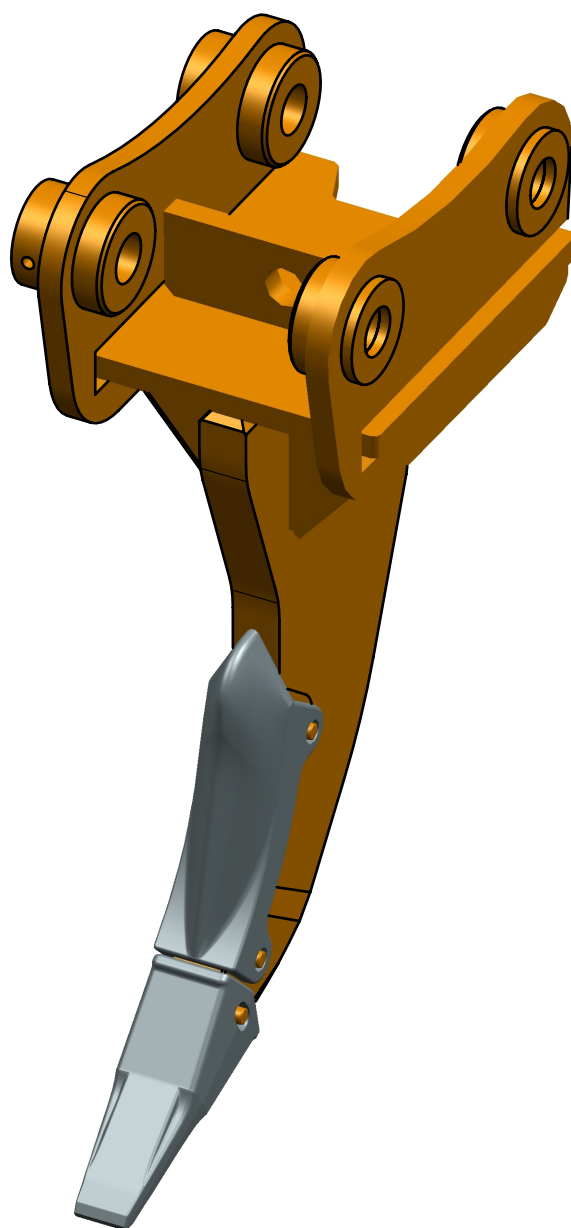
*Driven By Quality, Built To Last*

Tel: +1 949 387 5006

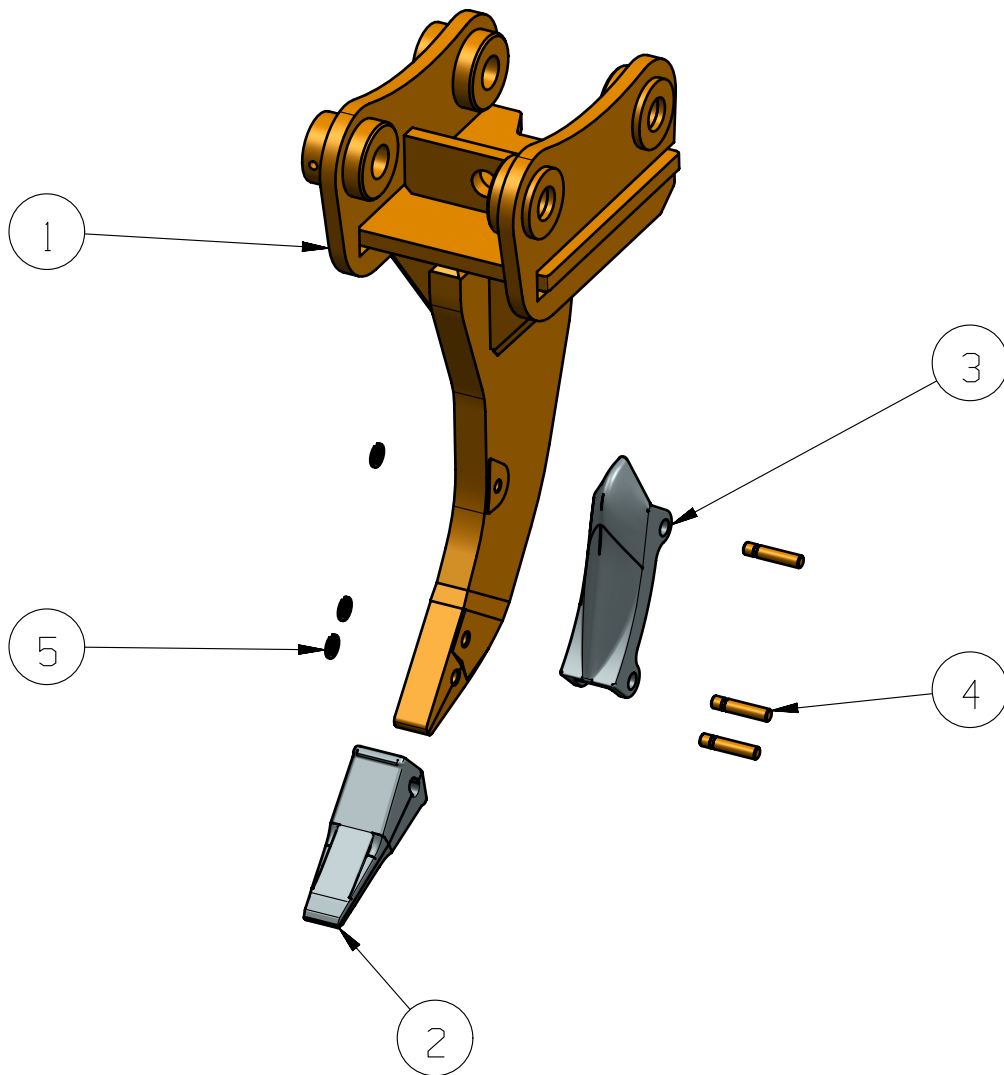
Email: [Info@bedrockattachments.com](mailto:Info@bedrockattachments.com)

Website: [www.BedrockAttachments.com](http://www.BedrockAttachments.com)

# RIPPER GP (420-5325B) (318)



# RIPPER GP (420-5325B) (318)



|       |           |              |     |
|-------|-----------|--------------|-----|
| 5     | 8E-4743B  | RETAINER-GET | 3   |
| 4     | 6Y-3394B  | PIN-GET      | 3   |
| 3     | 8E-1848B  | PROTECTOR    | 1   |
| 2     | 9W-2452B  | TIP-RIPPER   | 1   |
| 1     | 425-7095B | RIPPER AS    | 1   |
| PC NO | PART NO   | PART NAME    | QTY |